



# StorNext M-Series Metadata Array/Expansion Unit: Power Supply Replacement

---

Follow the steps in the document to replace a Power Supply/Fan Cooling in your StorNext M-Series Metadata Appliance:

To replace the Power Supply/Cooling Fans, refer to the following sections:

- [Preparing to Remove the Metadata Array/Expansion Unit Power Supply/Cooling Fans](#) on page 2
- [Replacing the Metadata Array/Expansion Unit Power Supply/Cooling Fan](#) on page 3
- [Removing and Replacing the Metadata Array/Expansion Unit Power Supply](#) on page 4



# Replacing Metadata Array/Expansion Unit Power Supply/ Cooling Fans

StorNext M-Series Metadata Array power supply/cooling fan replacement instructions apply to all M-Series Metadata Appliance (M330, M440 and M660) products.

StorNext M-Series Metadata Expansion Unit power supply/cooling fan replacement instructions apply to the M660 Metadata Appliance product.

The Metadata array is powered by two redundant, “hot-swappable” power supplies located in the back of the unit. Once the failed power supply is identified, the power supply can be easily replaced and the system returned to normal operation.

---

**Caution:** You must replace the power supply within three minutes after removing the failed power supply to prevent the possibility of overheating the equipment.

---

Replacing a Metadata Array/Expansion Unit power supply/cooling fan consists of the following steps:

- 1 [Preparing to Remove the Metadata Array/Expansion Unit Power Supply/  
Cooling Fans](#)
- 2 [Replacing the Metadata Array/Expansion Unit Power Supply/Cooling Fan](#) on page 3

---

## Preparing to Remove the Metadata Array/ Expansion Unit Power Supply/Cooling Fans

---

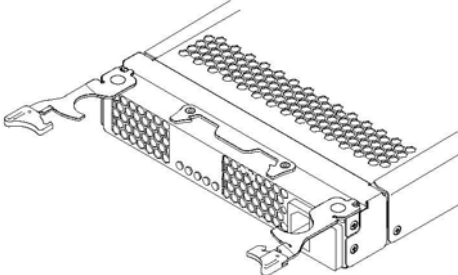
Before beginning the replacement procedure, make sure that you have the required replacement kit(s).

### Required Replacement Kit

Refer to the following tables for the replacement kit contents (see [Table 1](#)):

---

Table 1 StorNext Metadata  
Array/Expansion Unit Power  
Supply/Cooling Fans

Qty	Illustration	Description
1		Replacement power supply/Cooling Fan Kit

## Required Tools

The following tools are required:

- None

## Replacing the Metadata Array/Expansion Unit Power Supply/Cooling Fan

Replacing the Metadata Array/Expansion Unit power supply/cooling fans consists of the following steps:

---

**Note:** The power supplies are “hot-swappable” and can be replaced during normal system operation.

---

---

**Caution:** Use appropriate ESD precautions, including the use of a grounding strap, when performing the Metadata Array power supply/cooling fans replacement procedure.

---

- 1 [Identifying the Failed Metadata Array/Expansion Unit Power Supply](#)
- 2 [Removing and Replacing the Metadata Array/Expansion Unit Power Supply](#) on page 4

## Identifying the Failed Metadata Array/Expansion Unit Power Supply

The StorNext Metadata Array/Expansion Unit power-fan canisters have LED indicators that indicate when the component has failed and is ready for replacement:

- Power-Fan Service Action Allowed LED – ready to remove
- Power-Fan Service Action Required LED – power supply has failed

[Figure 1](#) shows and [Table 2](#) describes the power-fan canister LEDs.

Figure 1 Power-Fan LED Indicators

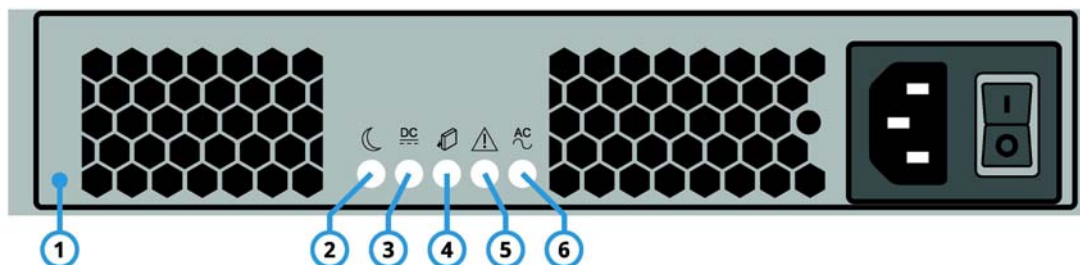


Table 2 Power-Fan Canister  
LED Descriptions

Item Number	Description
1	Power-Fan Canister
2	Standby Power LED
3	DC Power LED
4	Service Action Allowed LED
5	Service Action Required LED
6	AC Power LED

### Removing and Replacing the Metadata Array/Expansion Unit Power Supply

To remove and replace the Metadata Array power supplies:

- 1 Once the failed power supply has been identified, turn off the power switch on the power-fan canister that has failed.
- 2 Unplug the power cord from the failed power supply.
- 3 Remove the power-fan canister from the controller-drive tray (see [Figure 2](#) on page 5):

---

---

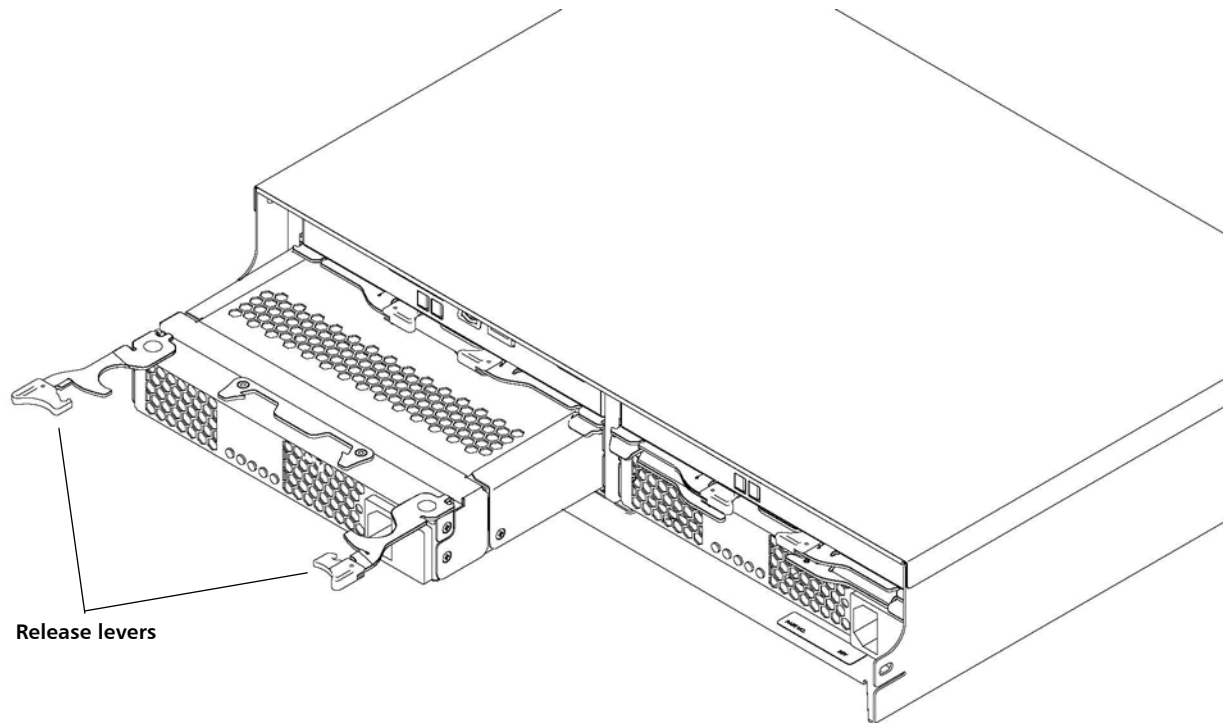
**Caution:** The power supply may be hot. Use caution when removing the failed power supply.

---

---

- a Rotate the latches to disengage the power supply cannister.
- b Use the latches as handles to pull the power supply out of the Metadata Array.

Figure 2 Removing the  
Metadata Array/Expansion Unit  
Power Supplies



- 4 Slide the replacement power-fan canister all the way into the controller-drive tray. Rotate the latches towards the center to lock the power supply into place.
- 5 Make sure that the Power switch on the replacement power-fan canister is turned off, and plug in the power cord.
- 6 Turn on the Power switch on the replacement power supply.
- 7 Check the Power supply LEDs and Service Action Required LED on the new power supply (see [Power-Fan LED Indicators](#) on page 3). Based on the LED status, perform one of these actions:
  - The power supply LEDs are on and the **Power Service Action Required** LED is off. The removal and replacement procedure is complete.
  - The power supply LEDs are off or the **Power-Fan Service Action Required** LED is on. Check that the power-fan canister is installed correctly. Reinstall the power-fan canister.

The replacement procedure is complete.

