



QXS 12G Licensing Guide

Contents

Introduction	1
Virtualization and Optional Licenses	7
Acquiring Bundled License	8
Finding System Serial Number	8
Contacting Quantum	13

Introduction

Systems supported by the applicable QXS licenses include:

- QXS-312 12G (2U12 drive system)
- QXS-324 12G (2U24 drive system)
- QXS-412 12G (2U12 drive system)
- QXS-424 12G (2U24 drive system)
- QXS-484 12G (5U84 drive system)

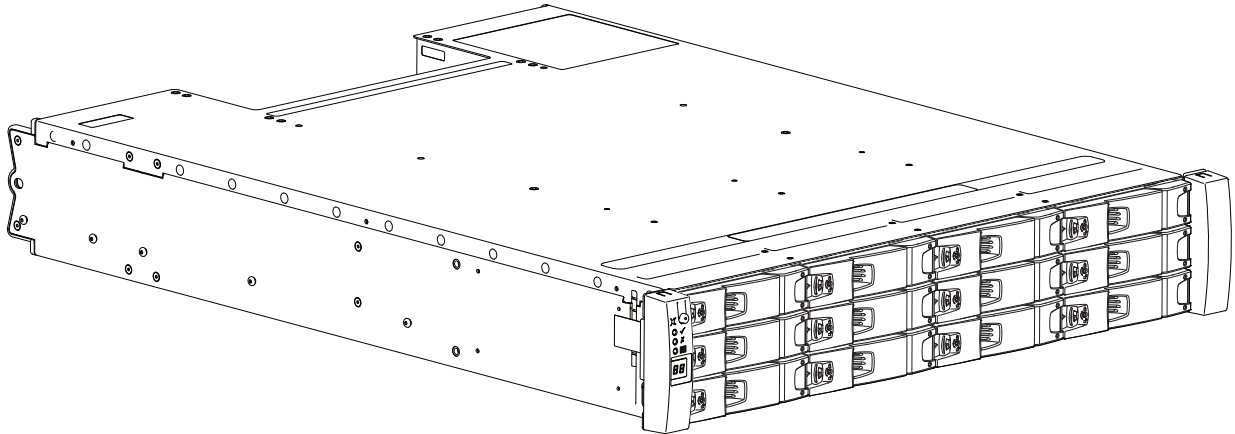
© 2019 Quantum Corporation. All rights reserved. Your right to copy this manual is limited by copyright law. Making copies or adaptations without prior written authorization of Quantum Corporation is prohibited by law and constitutes a punishable violation of the law. Artico, Be Certain (and the Q brackets design), DLT, DXi, DXi Accent, DXi V1000, DXi V2000, DXi V4000, DXiVSeries, FlexTier, Lattus, the Q logo, The Q Quantum logo, Q-Cloud, Quantum (and the Q brackets design), the SuperLoader, Symform, the Symform logo (and design), vmPRO, and Xcellis are either registered trademarks or trademarks of Quantum Corporation and its affiliates in the United States and/or other countries. All other trademarks are the property of their respective owners. Products mentioned herein are for identification purposes only and may be registered trademarks or trademarks of their respective companies. All other brand names or trademarks are the property of their respective owners. Quantum specifications are subject to change.



QXS-312 12G System

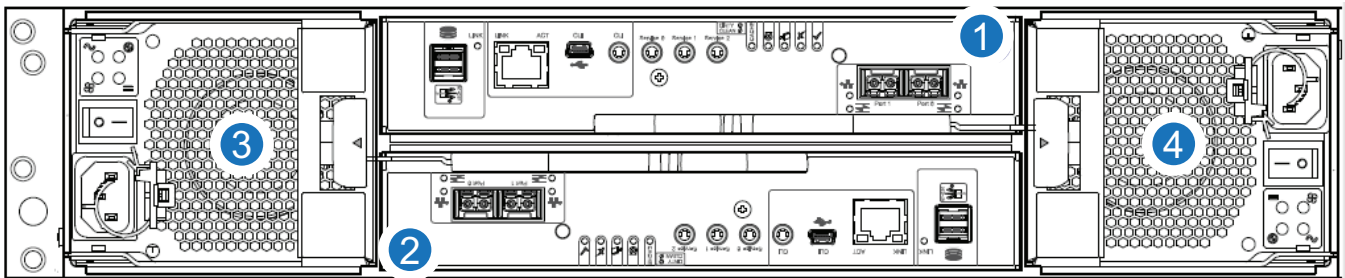
[Figure 1](#) provides an illustration of the QXS-312 12G system (no bezel installed). The chassis is 2U high and contains 12 drives (accessed from the front of the chassis).

Figure 1 QXS-312 12G System



[Figure 2](#) provides a rear view of the QXS-312 12G system RAID chassis with two CNC controllers (2 FC/iSCSI ports).

Figure 2 QXS-312 12G System
(2 FC/iSCSI ports)



- | | | | |
|---|--------------|---|--------------|
| 1 | Controller A | 2 | Controller B |
| 3 | PSU0 | 4 | PSU1 |

QXS-324 12G System

Figure 3 provides an illustration of the QXS-324 12G system (no bezel installed). The chassis is 2U high and contains 24 drives (accessed from the front of the chassis).

Figure 3 QXS-324 12G System

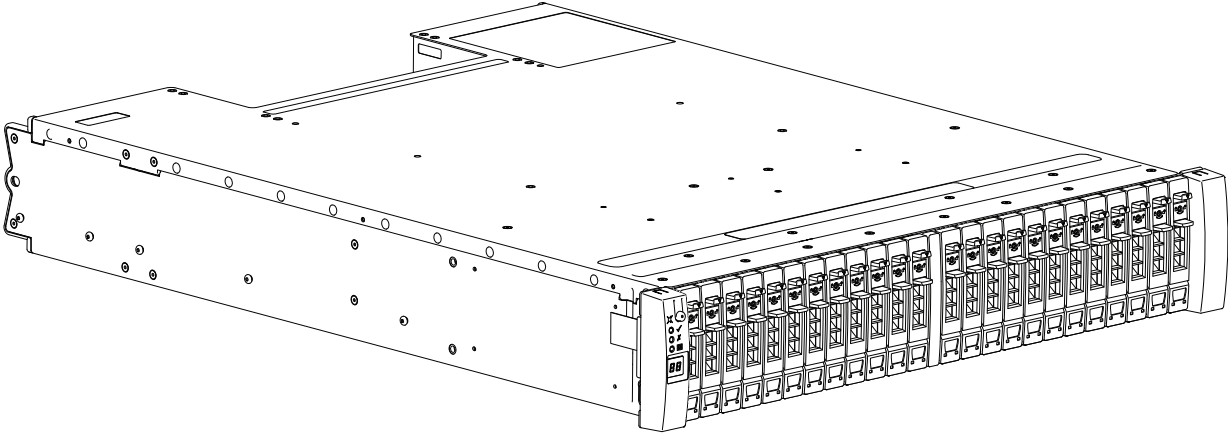
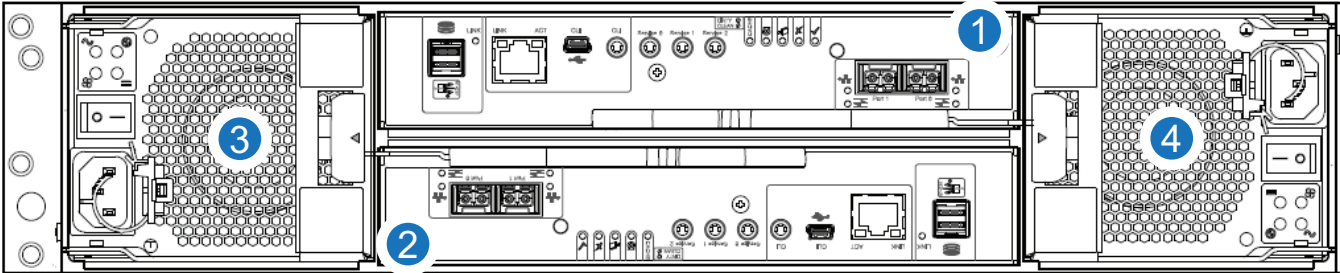


Figure 4 provides a rear view of the QXS-324 12G system RAID chassis with two CNC controllers (2 FC/iSCSI ports).

Figure 4 QXS-324 12G System
(2 FC/iSCSI ports)



- | | | | |
|---|--------------|---|--------------|
| 1 | Controller A | 2 | Controller B |
| 3 | PSU0 | 4 | PSU1 |

QXS-412 12G System

Figure 5 provides an illustration of the QXS-412 12G system (no bezel installed). The chassis is 2U high and contains 12 drives (accessed from the front of the chassis).

Figure 5 QXS-412 12G System

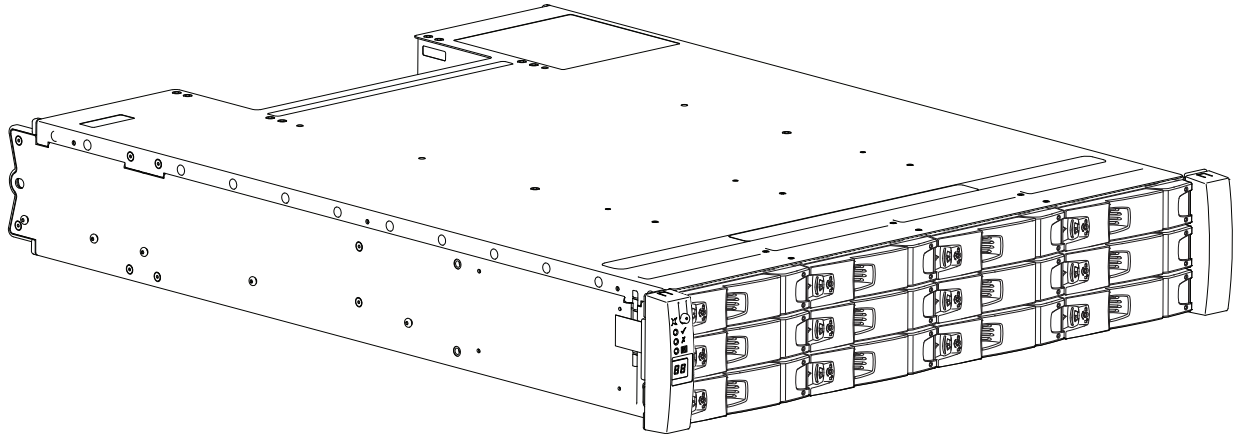
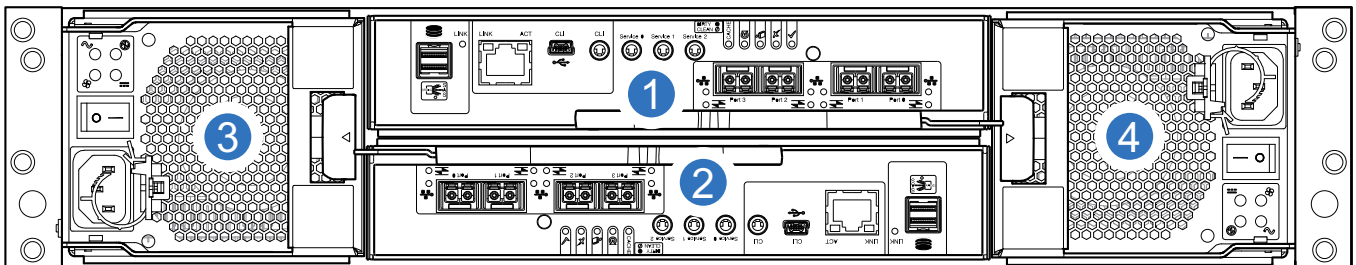


Figure 6 provides a rear view of the QXS-412 12G system RAID chassis with two CNC controllers (4 FC/iSCSI ports).

Figure 6 QXS-412 12G System
(4 FC/iSCSI ports)

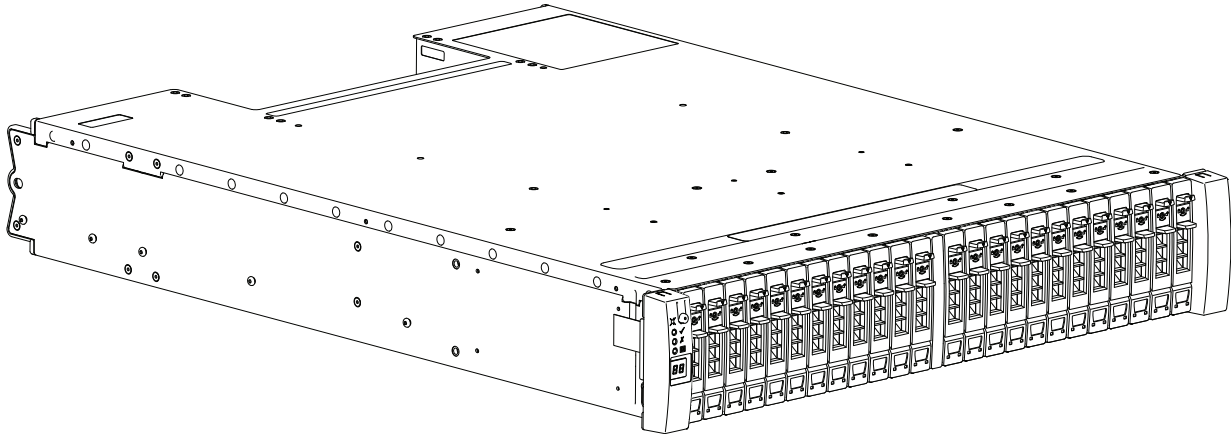


- | | | | |
|---|--------------|---|--------------|
| 1 | Controller A | 2 | Controller B |
| 3 | PSU0 | 4 | PSU1 |

QXS-424 12G System

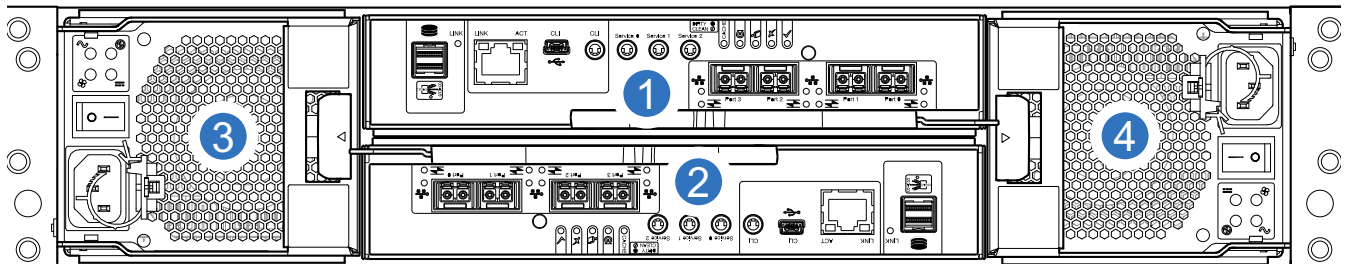
[Figure 7](#) provides an illustration of the QXS-424 12G system (no bezel installed). The chassis is 2U high and contains 24 drives (accessed from the front of the chassis).

Figure 7 QXS-424 12G System



[Figure 8](#) provides a rear view of the QXS-424 12G system RAID chassis with two CNC controllers (4 FC/iSCSI ports).

Figure 8 QXS-424 12G System
(4 FC/iSCSI ports)



- | | | | |
|---|--------------|---|--------------|
| 1 | Controller A | 2 | Controller B |
| 3 | PSU0 | 4 | PSU1 |

QXS-484 12G System

[Figure 9](#) provides an illustration of the QXS-484 12G system (bezel installed). The chassis is 5U high and contains 84 drives.

- Chassis contains two drawers at the front of the system.
 - Drawer 0 is the bottom unit and contains up to 42 drives.
 - Drawer 1 is the upper unit and contains up to 42 drives.

- Access the drives from the front of the chassis by opening applicable drawer.

Figure 9 QXS-484 12G System

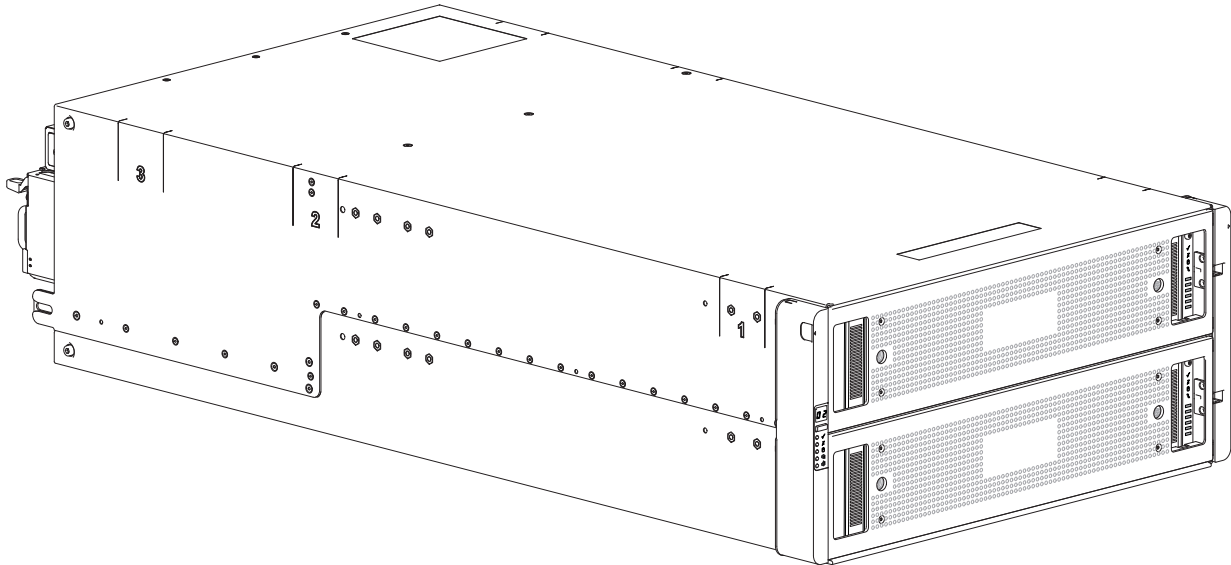
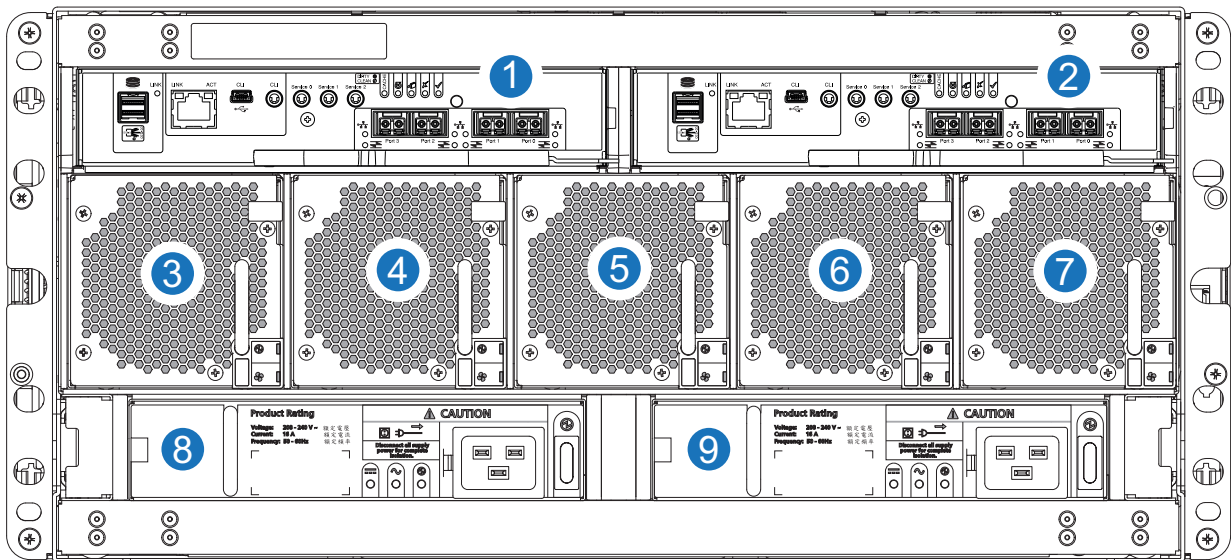


Figure 10 provides a rear view of the QXS-484 12G system RAID chassis with two CNC controllers (4 FC/iSCSI ports).

Figure 10 QXS-484 12G System (4 FC/iSCSI ports)



1	Controller A	2	Controller B	3	Fan 0
4	Fan 1	5	Fan 2	6	Fan 3
7	Fan 4	8	PSU 0	9	PSU 1

Virtualization and Optional Licenses

This section covers the following information:

- [Virtualization License](#)
- [Bundled License](#)

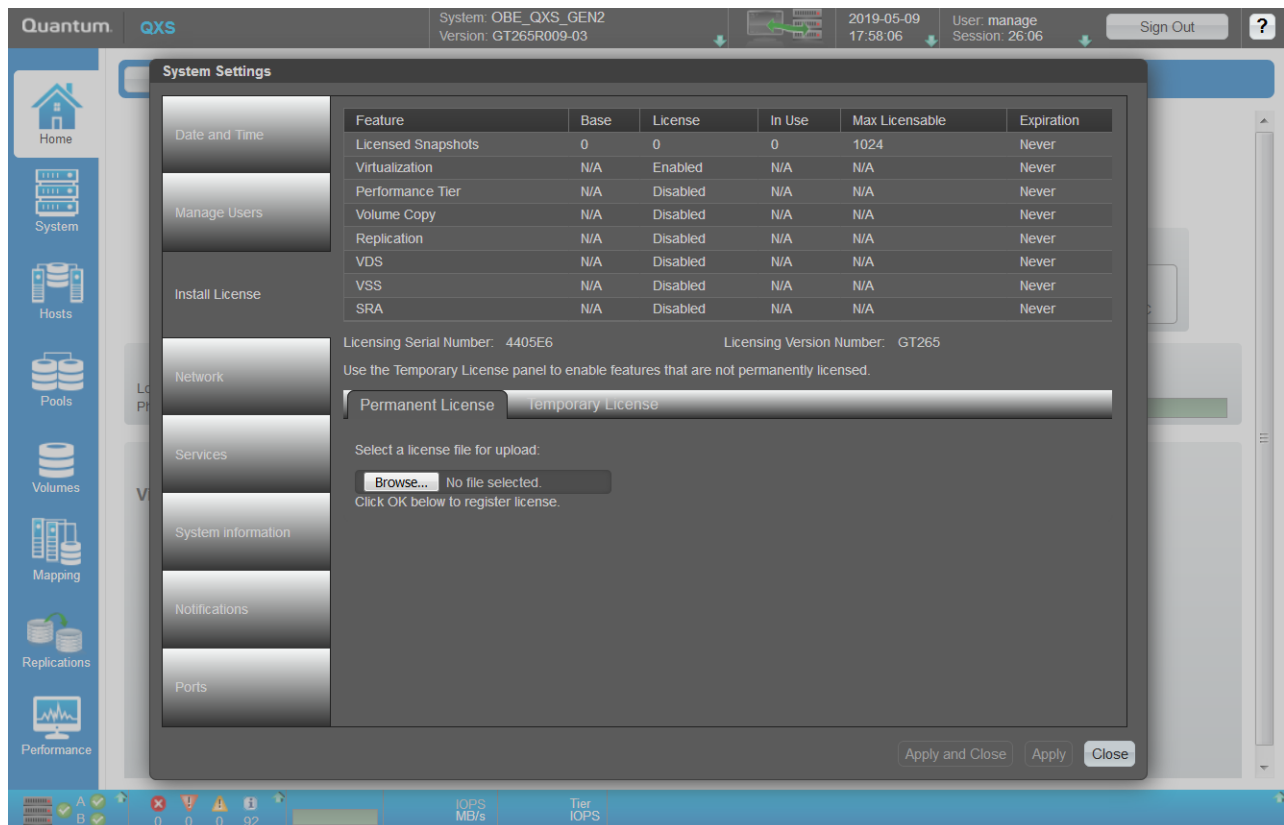
Virtualization License

The virtualization license is installed on all systems at the factory. Systems include:

- QXS-312 12G (2U12 drive system)
- QXS-324 12G (2U24 drive system)
- QXS-412 12G (2U12 drive system)
- QXS-424 12G (2U24 drive system)
- QXS-484 12G (5U84 drive system)

[Figure 11](#) provides the license names. Only the Virtualization license is enabled at the factory. All other licenses are disabled.

Figure 11 Install License Screen



Bundled License

Bundled license is available and include ([Figure 11](#)):

- Licensed Snapshots
- Performance Tier (Tiering)
- Replication (Async)

Acquiring Bundled License

Quantum-branded QXS-G2-312, QXS-G2-324, QXS-G2-412, QXS-G2-424, and QXS-G2-484 systems have the Virtualization license install at the factory.

- No certificate is required.
- The license is pre-installed.
- The user interface will show licenses pre-installed for a given serial number.

At the initial system purchase, the customer can buy the bundled license which also will be installed at the factory. The bundled license includes:

- Licensed Snapshots
- Performance Tier (Tiering)
- Replication (Async)

Note: If the bundled license is bought at the initial purchase of the system, the Licensed Snapshots, Performance Tier (Tiering), and Replication (Async) will be enabled at the factory.

Finding System Serial Number

Note: Licenses are linked with the systems serial number. This section provides instructions on finding the system serial number.

This section provides the following information:

- [QXS 12G System Serial Number Location](#)
- [System Serial Number Using Disk Management Utility \(GUI\)](#)

QXS 12G System Serial Number Location

[Figure 12](#) provides a representative example of a system serial number label that is placed on a QXS 12G chassis.

Figure 12 System Serial
Number Label



Note: Refer to [QXS-312/QXS-324/QXS-412/QXS-424 12G System Serial Number Location](#) and [QXS-484 12G System Serial Number Location](#) for the exact location of the system serial number.

Do not confuse other “QTM” serial numbers on the chassis as the system serial number.

QXS-312/QXS-324/QXS-412/QXS-424 12G System Serial Number Location

- 1 Retrieve the QXS-312 12G, QXS-324 12G, QXS-412 12G and QXS-424 12G system serial number located on the left-rear ear of the chassis or on the right-rear ear of the chassis.
 - The primary location of the serial number label is on the left-rear ear of the chassis.
 - However, some chassis might have a factory label on the left-rear ear of the chassis.
 - When the chassis has a factory label on the left-rear ear, the system serial number label will be located on the right-rear ear of the chassis.
- 2 Record the RAID chassis system serial number.

For easy record keeping, write the serial number in this location:

[Figure 13](#) provides the serial number label location on the left-rear ear of the chassis.

Figure 15 QXS-484 12G
System Serial Number Location



System Serial Number Using Disk Management Utility (GUI)

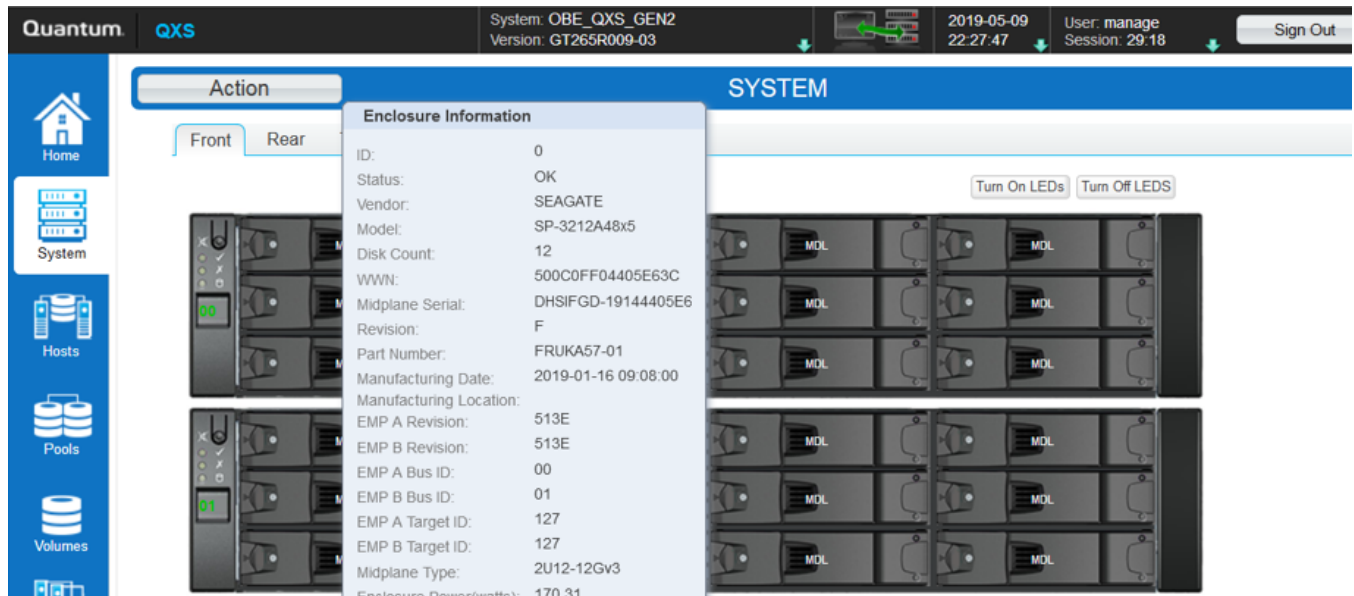
Complete the following process:

- 1 Access the disk management utility (GUI).
- 2 Select **System** on the left side of the screen.
- 3 Select either the **Front** or **Rear** tab.

Note: The system serial number will be that of the RAID chassis, which is the top chassis on the **System** page.

- 4 Hover the cursor over one of the “ears” (far left or right) to display the **Enclosure Information** popup.
 - a The serial number you need is the **Midplane Serial** number.
 - b Refer to [Figure 16](#) for an example of the screen and Enclosure Information (RAID Chassis) popup (serial number).

Figure 16 System Serial Number in the GUI



c Refer to [Figure 17](#) for a closeup of the Enclosure Information (RAID Chassis) popup (serial number) screen.

Figure 17 Serial Number on Popup Screen

Enclosure Information	
ID:	0
Status:	OK
Vendor:	SEAGATE
Model:	SP-3212A48x5
Disk Count:	12
WWN:	500C0FF04405E63C
Midplane Serial:	DHSIFGD-19144405E6
Revision:	F
Part Number:	FRUKA57-01
Manufacturing Date:	2019-01-16 09:08:00
Manufacturing Location:	
EMP A Revision:	513E
EMP B Revision:	513E
EMP A Bus ID:	00
EMP B Bus ID:	01
EMP A Target ID:	127
EMP B Target ID:	127
Midplane Type:	2U12-12Gv3
Enclosure Power(watts):	170.31
PCIe 2-Capable:	False
<input checked="" type="checkbox"/> OK	

Contacting Quantum

More information about this product is available on the Quantum Service and Support website at <http://www.quantum.com/ServiceandSupport/Index.aspx>. The Service and Support Website contains a collection of information, including answers to frequently asked questions (FAQs). You can also access software, firmware, and drivers through this site.

For further assistance, or if you are interested in training, contact the Quantum Customer Support Center:

United States	1-800-284-5101 (toll free) +1-720-249-5700
EMEA	+800-7826-8888 (toll free) +49-6131-324-185
APAC	+800-7826-8887 (toll free) +603-7953-3010

For worldwide support:

<http://www.quantum.com/ServiceandSupport/Index.aspx>
