

# Quantum 1U Rackmount Rail Installation Guide

---

---

Introduction	3
Required Tools	3
Step 1: Installing the Chassis Sections onto the 1U Rackmount	4
Step 2: Installing the Stationary Sections onto the Equipment Rack	5
For 24-Inch Racks.....	5
For Racks Deeper than 24 Inches.....	7
Step 3: Installing the 1U Rackmount into the Equipment Rack	9
Typical Rack and Slide Configurations (For Reference Only)	11

---

Made in the USA.

Quantum Corporation provides this publication “as is” without warranty of any kind, either express or implied, including but not limited to the implied warranties of merchantability or fitness for a particular purpose. Quantum Corporation may revise this publication from time to time without notice.

**COPYRIGHT STATEMENT**

© Copyright 2006 by Quantum Corporation. All rights reserved.

Your right to copy this document is limited by copyright law. Making copies or adaptations without prior written authorization of Quantum Corporation is prohibited by law and constitutes a punishable violation of the law.

**TRADEMARK STATEMENT**

Quantum, DLT, DLTtape, the Quantum logo, and the DLTtape logo are all registered trademarks of Quantum Corporation. SDLT and Super DLTtape are trademarks of Quantum Corporation.

Other trademarks may be mentioned herein which belong to other companies.

---

## Introduction

The Quantum Rack Mount Slide Kit is designed to facilitate the mounting of 1U Rackmount systems in standard EIA-310 equipment racks. These telescoping slide rails provide easy access to the 1U Rackmount by allowing you to unlock and slide it forward.

Installing the slide rails involves the following steps:

- [Step 1: Installing the Chassis Sections onto the 1U Rackmount](#) on page 4
- [Step 2: Installing the Stationary Sections onto the Equipment Rack](#) on page 5
- [Step 3: Installing the 1U Rackmount into the Equipment Rack](#) on page 9

**Warning:** For maximum stability, the equipment rack should be securely bolted to the floor per the rack manufacturer's recommendations.

After installing components in the equipment rack, do not pull out more than one component on its slide rails at a time. If the equipment rack is not securely bolted to the floor, the weight of more than one extended component could cause the equipment rack to become unstable, tip over, and cause damage, serious bodily injury, or death.

---

## Required Tools

To install the slide rails, you may need the following additional items:

- Available rack space in a suitable equipment rack
- #2 PHILLIPS® screwdriver

---

## Step 1: Installing the Chassis Sections onto the 1U Rackmount

There are two chassis sections, one for each side of the 1U Rackmount chassis.

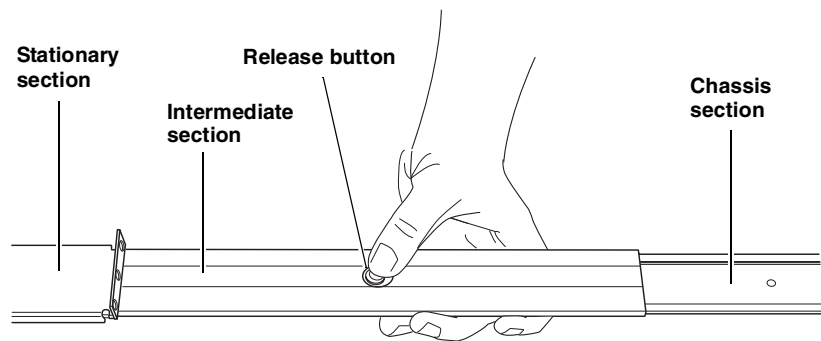
- 1 Pull the chassis section of the rail forward, past the mounting flange on the front of the rail set (see [figure 1](#)).

The intermediate section and the chassis section will lock in place when fully extended.

- 2 Press the release button to release the intermediate section and slide out the chassis section (see [figure 1](#)).

---

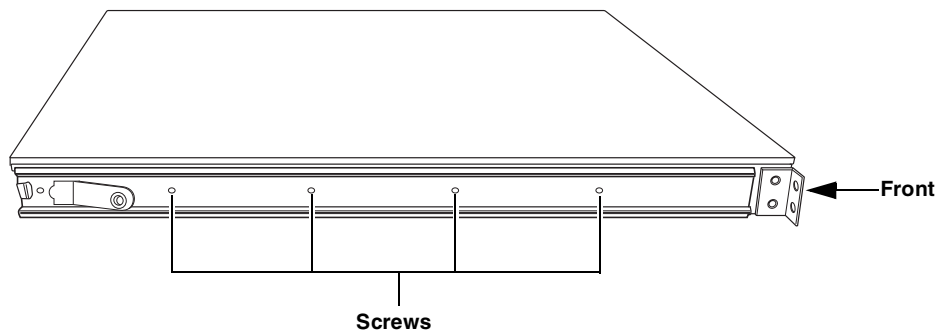
Figure 1 Pressing the Release Button



- 3 Attach one chassis section to each side of the 1U Rackmount chassis using four screws per side (see [figure 2](#)).

---

Figure 2 Attaching the Chassis Section to the 1U Rackmount Chassis



---

## Step 2: Installing the Stationary Sections onto the Equipment Rack

Follow the instructions for your size rack as follows:

- [For 24-Inch Racks](#) on page 5
- [For Racks Deeper than 24 Inches](#) on page 7

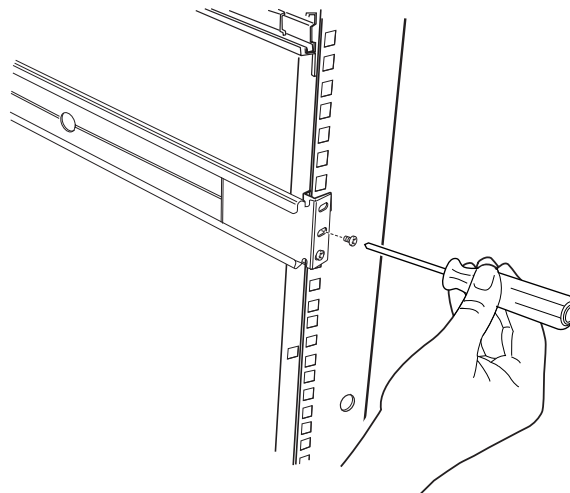
---

### For 24-Inch Racks

- 1 Install both stationary sections onto the front pillars of the equipment rack, using two screws in the bottom two mounting holes of each stationary section (see [figure 3](#)). See [Typical Rack and Slide Configurations \(For Reference Only\)](#) on page 11 for information on appropriate mounting hardware.

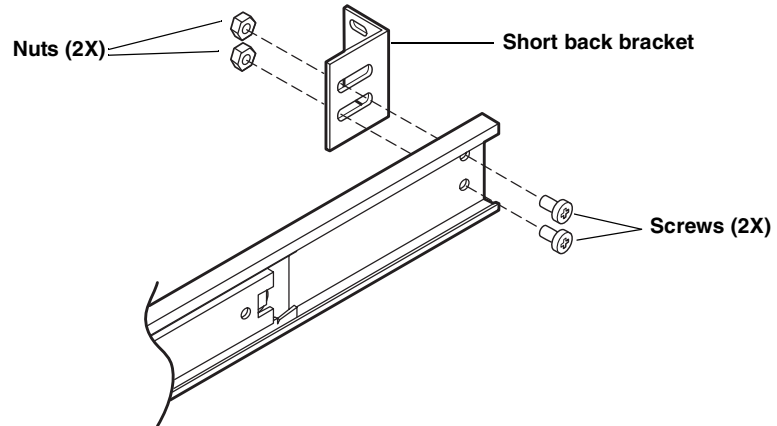
---

Figure 3 Attaching the Front of the Stationary Section—Front View



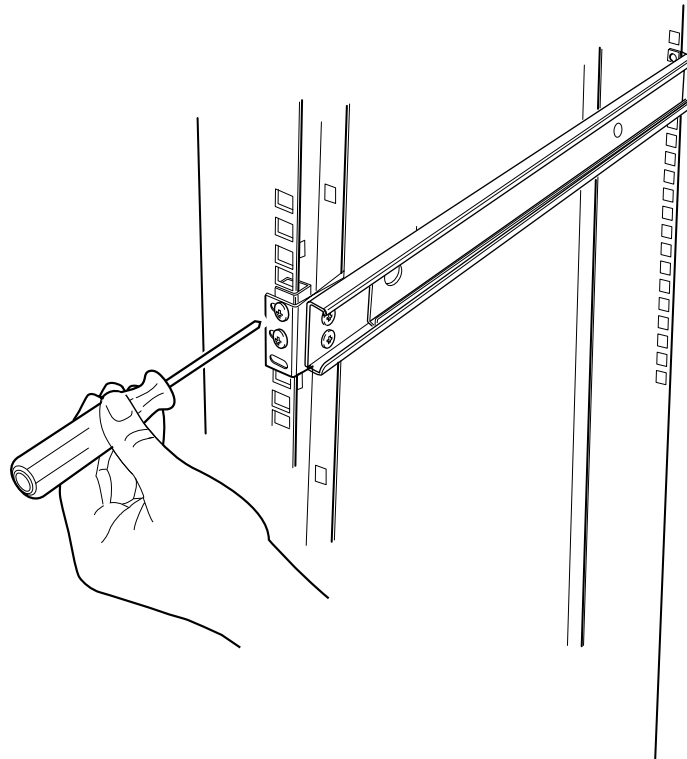
- 2 Attach the short back bracket to the back end of the stationary section using two screws and nuts per section (see [figure 4](#)).

Figure 4 Assembly of the Stationary Section Screws, Nuts, and Short Back Bracket



- 3 Attach the back ends of the stationary sections to the back pillars of the equipment rack, placing the short back bracket on the outside of the back pillar. Secure the stationary section to the rack pillar with two screws in the upper two mounting holes. See [figure 5](#).

Figure 5 Securing the Rail Assembly—Back View



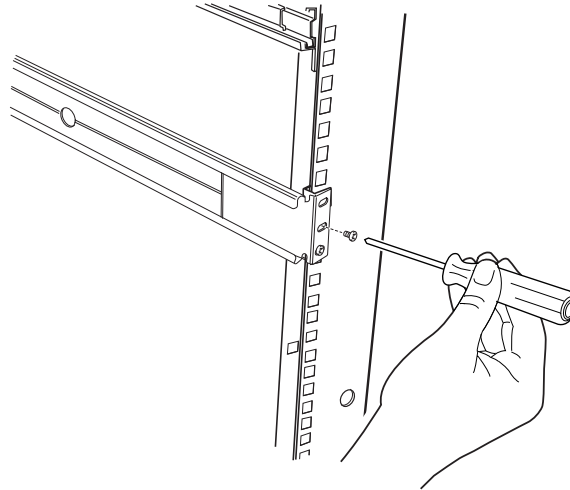
---

**For Racks Deeper than 24 Inches**

- 1 Install both stationary sections onto the front pillars of the equipment rack, using two screws in the bottom two mounting holes of each stationary section (see [figure 6](#)). See [Typical Rack and Slide Configurations \(For Reference Only\)](#) on page 11 for more information.

---

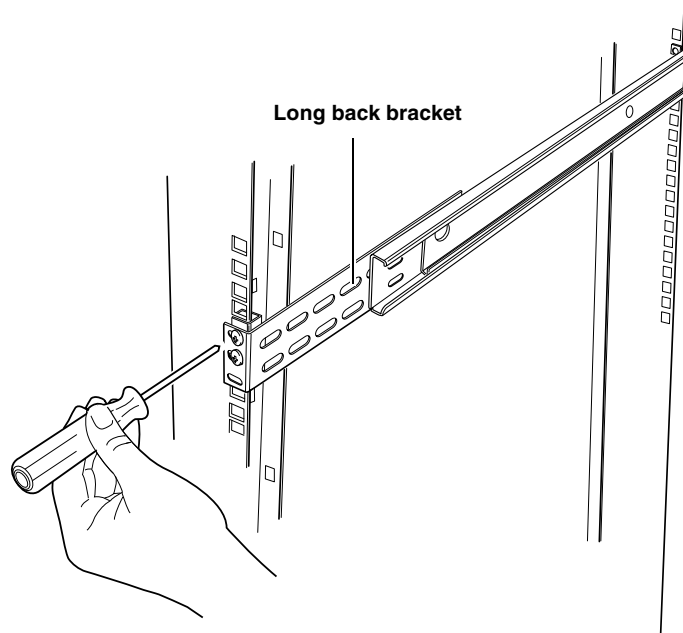
Figure 6 Attaching the Front of the Stationary Section—Front View



- 2 Attach the two long back brackets to the back pillars of the equipment rack with two screws in the upper two mounting holes (see [figure 7](#)).

---

Figure 7 Attaching the Long Back Bracket—Back View



- 3 Insert one end of the support bracket (A) into the stationary section (B) of the rail assembly. Secure the long back bracket to the stationary section (C) with four screws and nuts (two through the long back bracket and support bracket, and two through the long back bracket, the stationary section, and the support bracket). See [figure 8](#) and [figure 9](#).

Figure 8 Inserting the Support Bracket—Back View

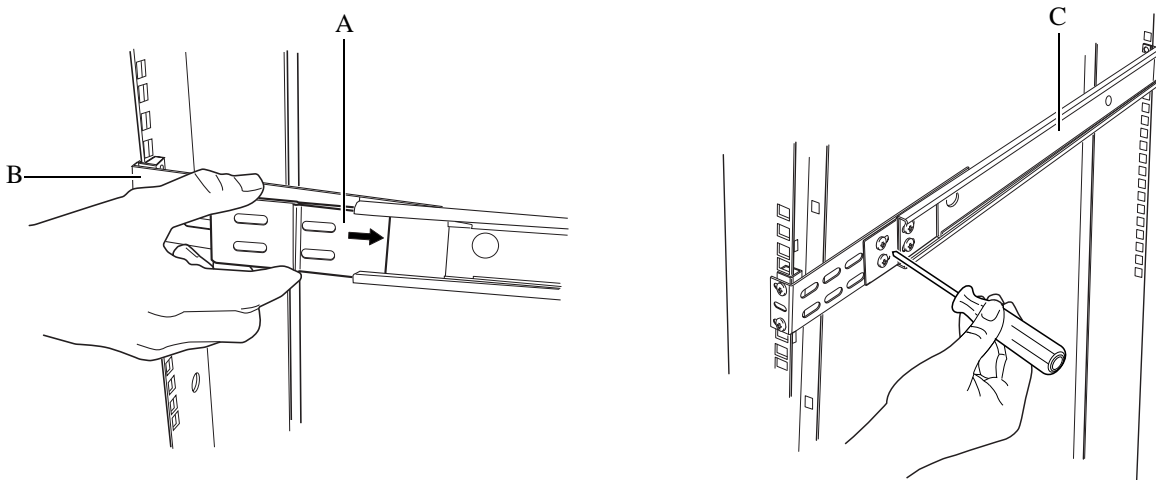
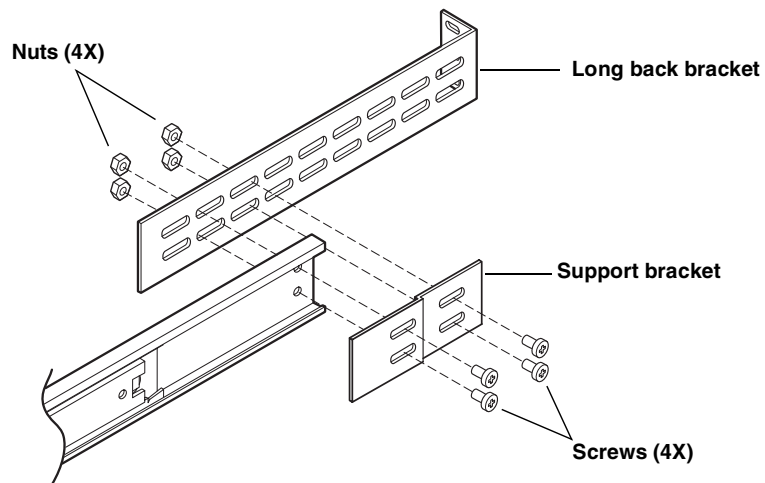


Figure 9 Assembly of the Slide, Bolts, Nuts, and Support Bracket

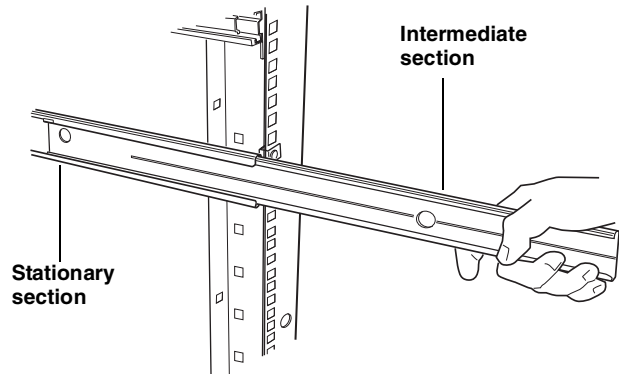




## Step 3: Installing the 1U Rackmount into the Equipment Rack

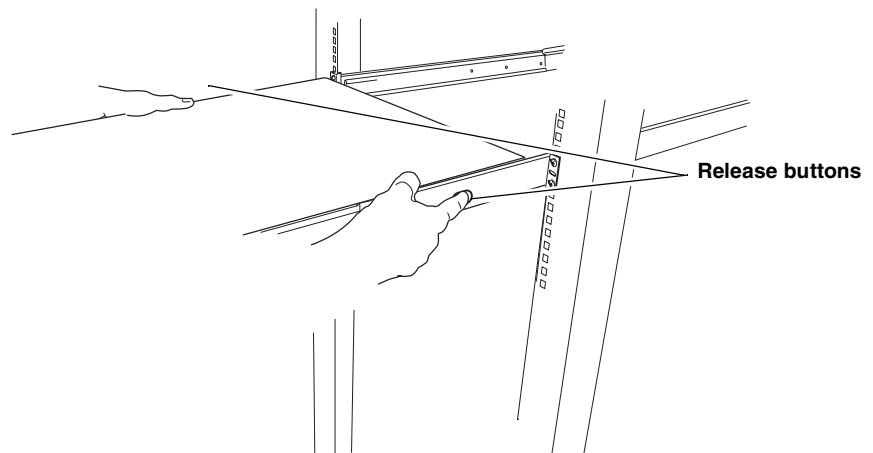
- 1 Completely extend the intermediate sections out from the front of the stationary sections until they lock (see [figure 10](#)).

Figure 10 Extending the Intermediate Section Rail—Front View



- 2 Holding the 1U Rackmount with both hands, position and then slide the chassis sections into the intermediate sections. When the release buttons on the chassis sections stop against the intermediate sections, press both release buttons (on opposite sides) and continue sliding the 1U Rackmount into the rails. See [figure 11](#).

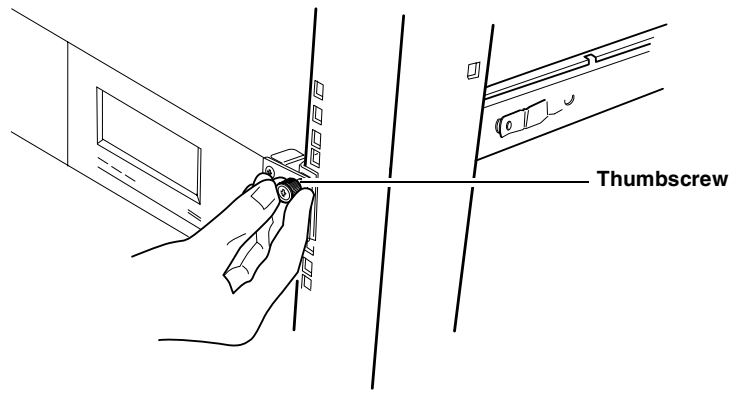
Figure 11 Sliding the Chassis Rails into Intermediate Section Rail—Front View



- 3 Slide the 1U Rackmount completely into the rack, and secure it in place by tightening the thumbscrews on each side (see [figure 12](#)).

---

Figure 12 Securing the  
1U Rackmount into the  
Rack—Front View



# Typical Rack and Slide Configurations (For Reference Only)

Figure 13 Typical Rack Configuration 1

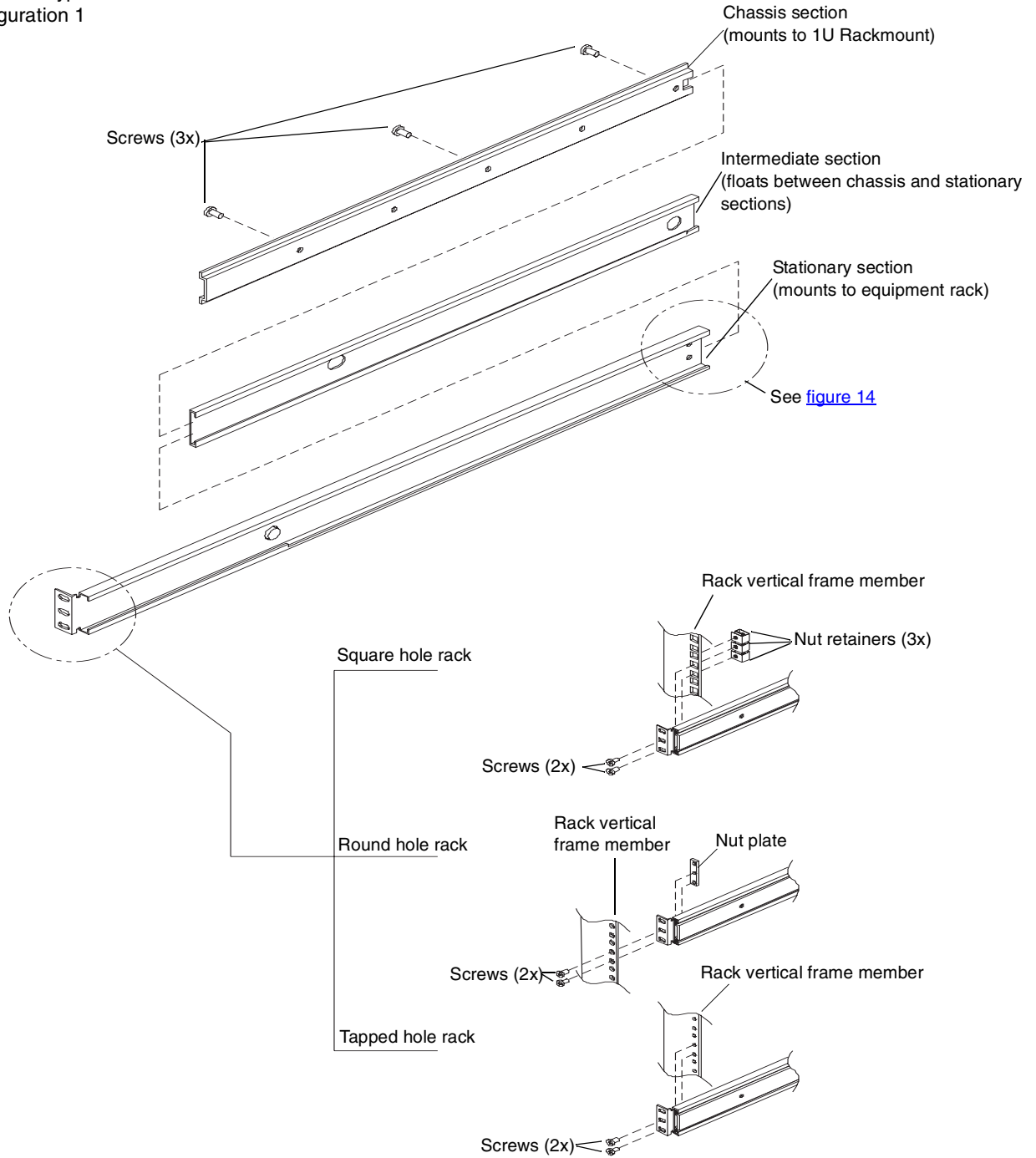


Figure 14 Typical Rack Configuration 2

