



This procedure is for systems running SANtricity® 10.83 and later.

NetApp® E-Series Storage Systems: Replacing an ESM Canister in the DE6600 Drive Tray

To download SANtricity ES Storage Manager and related product documentation, go to the NetApp Support Site at support.netapp.com.

Before you replace the environmental services module (ESM) canister in the DE6600 drive tray, gather antistatic protection and a replacement ESM canister.

ATTENTION Possible equipment damage – If you perform this procedure with the power turned on, you must complete it within 15 minutes to prevent the possibility of overheating the equipment.

You can determine whether you have a failed ESM canister in two ways:

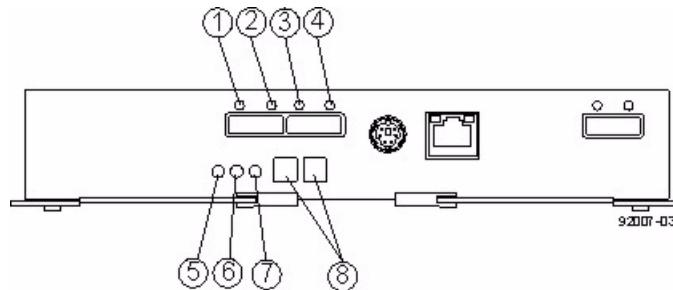
- The Recovery Guru directs you to replace a failed ESM canister.
- You locate the failed ESM canister by checking the ESM Service Action Required LED.

ATTENTION Possible hardware damage – To prevent electrostatic discharge damage to the tray, use proper antistatic protection when handling tray components.

1. Gather support data about your storage array by using one of these methods:
 - Use the storage management software to collect and save a support bundle of your storage array. From the Array Management Window, select **Monitor >> Health >> Collect Support Data**. Then name and specify a location on your system where you want to store the support bundle.
 - Use the command line interface (CLI) to run the `save storageArray supportData` command to gather comprehensive support data about the storage array. For more information about this command, refer to the *Command Line Interface and Script Commands*. Running this command can temporarily impact performance on your storage array.
2. Did the Recovery Guru direct you to replace a failed ESM canister?
 - **Yes** – Go to step 3.
 - **No** – Run the Recovery Guru to identify the failed component.
3. Put on antistatic protection.
4. Unpack the new ESM canister.
 - a. Set the new ESM canister on a flat, static-free surface near the drive tray.
 - b. Save all packing materials in case you need to return the ESM canister.

5. Check the ESM Service Action Required LED to locate the failed ESM canister (Figure 1).

Figure 1 LEDs on the ESM Canister



1. ESM Link Fault LED (Port 1A Bypass) (Green)
2. ESM Link LED (Port 1A Data Rate) (Green)
3. ESM Link LED (Port 1B Data Rate) (Green)
4. ESM Link Fault LED (Port 1B Bypass) (Green)
5. ESM Service Action Allowed LED (Blue)
6. ESM Service Action Required LED (Amber)
7. ESM Power LED (Green)
8. Seven-Segment Tray ID

If a fault is detected, the amber ESM Service Action Required LED is on. If you can safely remove the ESM canister, the blue ESM Service Action Allowed LED is on.

6. On the failed ESM canister, label all of the attached cables with information so that you can connect the cables correctly on the replacement ESM canister.

ATTENTION Possible loss of hardware – To avoid taking the wrong ESM canister offline, contact your Technical Support representative before performing step 7.

7. If the Recovery Guru has directed you to replace the ESM canister and the blue ESM Service Action Allowed LED is not on, type this command on the command line, and press **Enter**:

```
SMcli <ctrl_IP1> -c "Set tray [trayID] esm [top|bottom] service Allowed Indicator=on;"
```

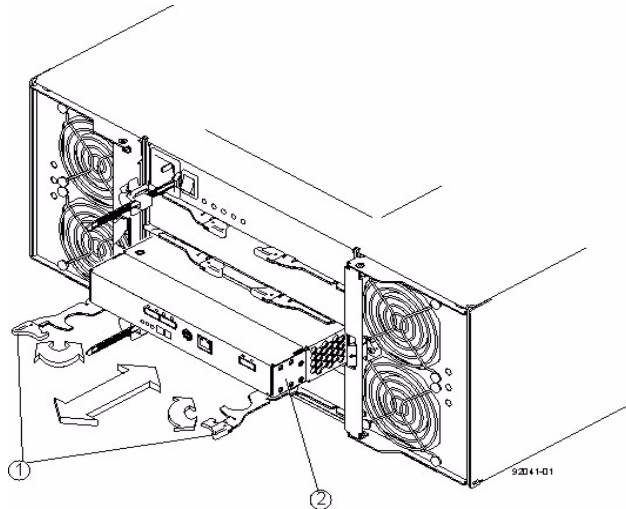
In this command:

- <ctrl_IP1> is the identifier of the controller to which the drive tray is assigned.
- [trayID] is the identifier of the drive tray that contains the ESM canister you want to replace. Drive tray ID values are 0 to 99. Be sure to type the square brackets around the identifier.
- [top|bottom] is the identifier of the ESM canister you want to replace. Valid values are top or bottom. Be sure to type the square brackets around the value.

8. Remove all cables attached to the ESM canister.

- Remove the ESM canister from the drive tray (Figure 2) by pressing the orange tab toward the black tab, moving the levers to the outside, and then pulling the ESM canister toward you.

Figure 2 Removing an ESM Canister



While removing the ESM canister, you might notice an increase in fan speed. The fan speed returns to normal after you have replaced the ESM canister.

- Slide the replacement ESM canister all the way into the drive tray until the tab on the ESM canister latches.
- Reconnect all the cables to the replacement ESM canister.
- Check the ESM Power LED and the ESM Service Action Required LED on the new ESM canister (Figure 1 on page 2).
- Based on the LED status, perform one of these actions:
 - **The ESM Power LED is on and the ESM Service Action Required LED is off** – Go to step 15.
 - **The ESM Power LED is off or the ESM Service Action Required LED is on** – Check that the ESM canister is installed correctly. Reinstall the ESM canister. Go to step 14.
- Did this action correct the problem?
 - **Yes** – Go to step 15.
 - **No** – If the problem has not been resolved, contact your Technical Support representative.
- Check the status of all of the trays in the storage array.
- Does any component have a Needs Attention status?
 - **Yes** – Click the **Recovery Guru** toolbar button in the Array Management Window, and complete the recovery procedure. If the problem has not been resolved, contact your Technical Support representative.
 - **No** – Go to step 17.

17. Remove the antistatic protection.

18. Gather support data about your updated storage array by using one of these methods:

- Use the storage management software to collect and save a support bundle of your storage array. From the Array Management Window toolbar, select **Monitor >> Health >> Collect Support Data**. Then name and specify a location on your system where you want to store the support bundle.
- Use the CLI to run the `save storageArray supportData` command to gather comprehensive support data about the storage array. For more information about this command, refer to the *Command Line Interface and Script Commands*. Running this command can temporarily impact performance on your storage array.