

# Quantum Scalar 50 Tape Drive Installation Instructions

---

---

Introduction	3
Tape Drive Numbering .....	3
Scalar 50 Tape Drive Upgrade Kits .....	4
Required Tools .....	6
<hr/>	
Unpacking the Tape Drive	6
<hr/>	
Installing the Tape Drives	6
<hr/>	
Cabling the Tape Drives	7
<hr/>	
Setting the Tape Drive SCSI ID	11
Setting the SCSI ID Using the OCP .....	11
Setting the SCSI ID from the Remote Management Pages .....	12
<hr/>	
Completing the Native Fibre Channel Installation	14
Determining the WWNs World Wide Names .....	15
Verifying Library Connectivity.....	18
<hr/>	
Fibre Channel Connectivity Troubleshooting	20
Fibre Channel Connectivity Troubleshooting .....	20
SCSI ID Assignment with Native Fibre Channel Tape Drives.....	21

Made in the USA.

Quantum Corporation provides this publication “as is” without warranty of any kind, either express or implied, including but not limited to the implied warranties of merchantability or fitness for a particular purpose. Quantum Corporation may revise this publication from time to time without notice.

**COPYRIGHT STATEMENT**

© Copyright 2007 by Quantum Corporation. All rights reserved.

Your right to copy this document is limited by copyright law. Making copies or adaptations without prior written authorization of Quantum Corporation is prohibited by law and constitutes a punishable violation of the law.

**TRADEMARK STATEMENT**

Capacity on Demand (CoD), Crosslink Mechanism, DLT, DLTSage, DLTtape, Super DLTtape, Performance on Demand, (PoD), PRISM, PRISM Storage Architecture logo, SiteCare, StackLink, StorageCare, SuperLoader, and ValueLoader are all trademarks of Quantum Corporation. Quantum, the Quantum logo, and the DLTtape logo are all registered trademarks of Quantum Corporation.

Other trademarks may be mentioned herein which belong to other companies.

## Introduction

This document provides instructions for adding a tape drive to an Scalar 50 tape library. The tape drive upgrade procedure consists of the following steps:

**Note:** Half-height tape drive canisters are ONLY available in Scalar 50 tape libraries.

- [Unpacking the Tape Drive](#)
- [Installing the Tape Drives](#)
- [Cabling the Tape Drives](#)
- [Setting the Tape Drive SCSI ID](#)
- [Completing the Native Fibre Channel Installation](#)
- [Fibre Channel Connectivity Troubleshooting](#)

### Tape Drive Numbering

The Scalar 50 tape library may contain up to 4 tape drives depending on the tape drive type. Refer to the following figures:

- [Figure 1](#) Full height drives (up to two per library)
- [Figure 2](#) Half-height drives (up to four per library)

Figure 1 Scalar 50 Cable Configuration (Full Height Drives)

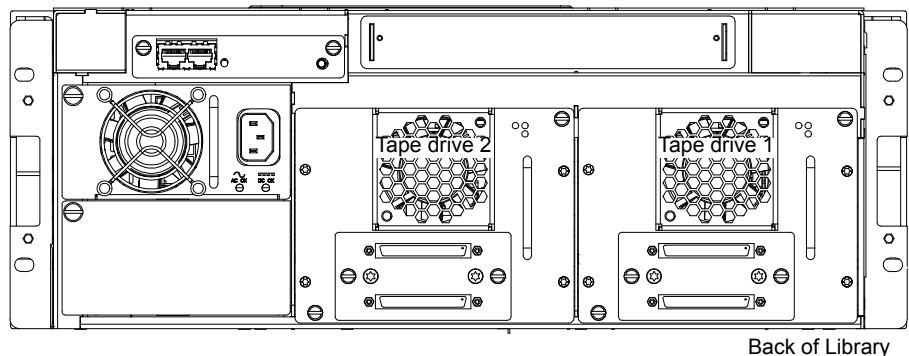
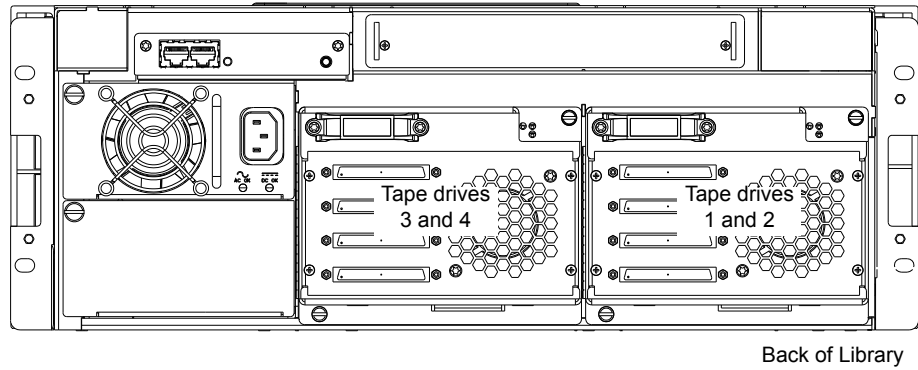


Figure 2 Scalar 50 Cable Configuration (Half-Height Drives)



### Scalar 50 Tape Drive Upgrade Kits

The tape drive upgrade kit differs depending on the tape drive type needed for the library. Refer to the following tables:

- [Table 1](#) for SDLT tape drives kits
- [Table 2](#) for LTO tape drive kits

Table 1 Tape Drive Upgrade Kits (SDLT)

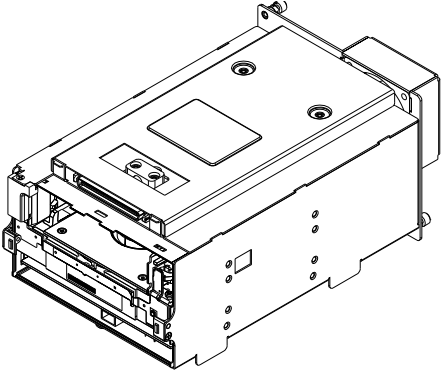
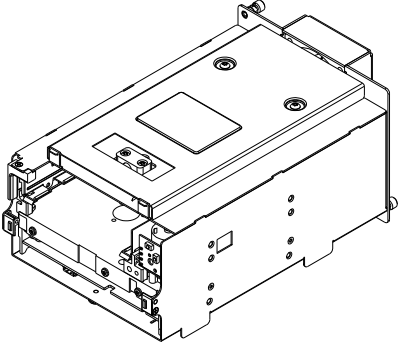
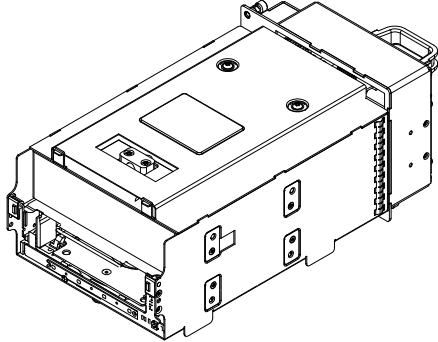
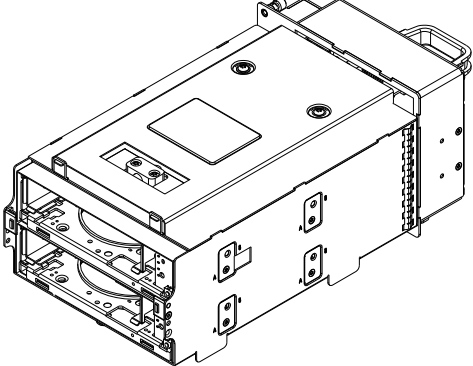
<b>SDLT Part Number</b>	<b>PC-UUAQA-YF (DLT-S4, SCSI)</b> <b>PC-UU8QC-YF (DLT-S4, Native Fibre)</b>
<b>DLT-S4 Tape Drive Module</b>	

Table 2 Tape Drive Upgrade Kits (LTO)

<p><b>LTO Part Number</b></p>	<p>PC-KUCQA-YF (LTO-3 HH SCSI, single drive)          PC-KUC1A-YF (LTO-3 HH SCSI, dual drive)          PC-KUKQC-YF (LTO-3 HH Native Fibre, single drive)          PC-KUKQ1-YF (LTO-3 HH Native Fibre, dual drive)          PR-UU3QA-YF (HP LTO3, SCSI)          PR-UU5QC-YF (HP LTO3, Native Fibre)          PC-KUMQA-YF (HP LTO4, SCSI)          PC-KUGQC-YF (HP LTO4, Native Fibre)</p>
<p><b>HP-LTO2/3/4 Tape Drive Module</b></p>	
<p><b>LTO-3 Half-Height Tape Drive Module (Single Drive)</b></p>	
<p><b>LTO-3 Half-Height Tape Drive Module (Dual Drive)</b></p>	

---

## Required Tools

The following tools are required to perform the tape drive upgrade procedure:

- Flat blade screwdriver

**Caution:** Use appropriate electrostatic discharge (ESD) precautions when installing the tape drive.

---

## Unpacking the Tape Drive

To unpack the tape drive:

- 1 Open the shipping carton.
- 2 Remove the tape drive from the carton.

The tape drive is protected by two pieces of foam and an antistatic bag.

- 3 Remove the foam from the wrapped tape drive. Remove the tape drive from the antistatic bag.

---

## Installing the Tape Drives

To install tape drives in a Scalar 50 Series library:

**Note:** If this is an initial library installation, it is recommended to turn the library off prior to installing tape drives. If this is an existing library that is receiving a tape drive upgrade, the library can remain powered on.

**Note:** Each tape drive ships from Quantum with a version of library firmware as well as drive firmware on the tape drive interface PWA. When you install the tape drive, the library will check the version of library firmware on the tape drive and verify if the firmware is newer than the version currently running. If the library firmware on the tape drive is newer than the version currently running on the library, the OCP will prompt you with the option to upgrade the library firmware.

- 1 At the back of the library, use a flat blade screwdriver to loosen the captive screws that secure the cover plate to the empty drive bay.
- 2 Set the cover plate aside.



Figure 4 Scalar 50 Cable Configuration (SCSI Full Height Drives)

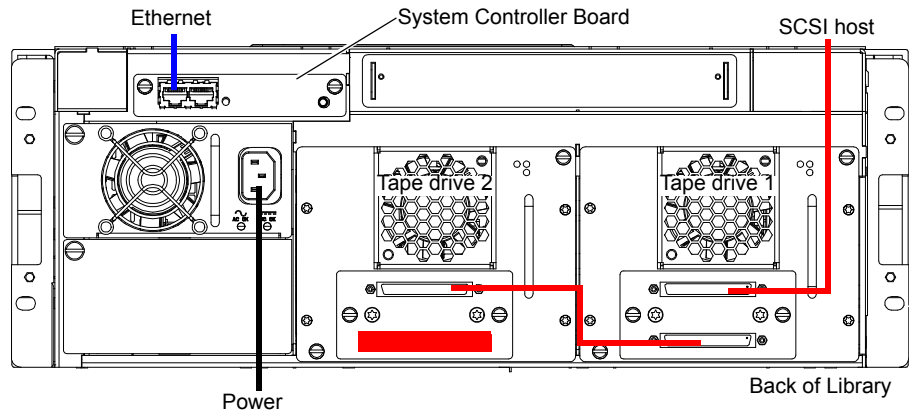
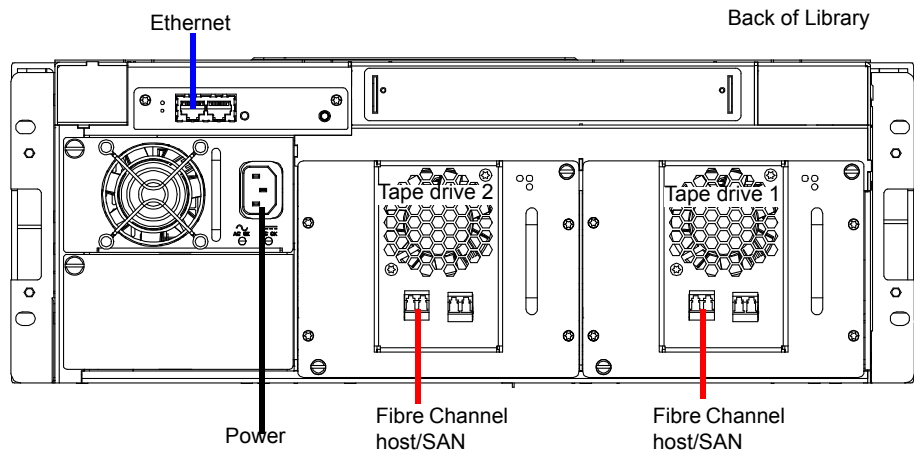


Figure 5 Scalar 50 Cable Configuration (Native Fibre Channel Full Height Drives)



LTO Tape drives shown. SDLT drives have a single FC port

Figure 6 Scalar 50 Cable Configuration (SCSI Half-Height Drives)

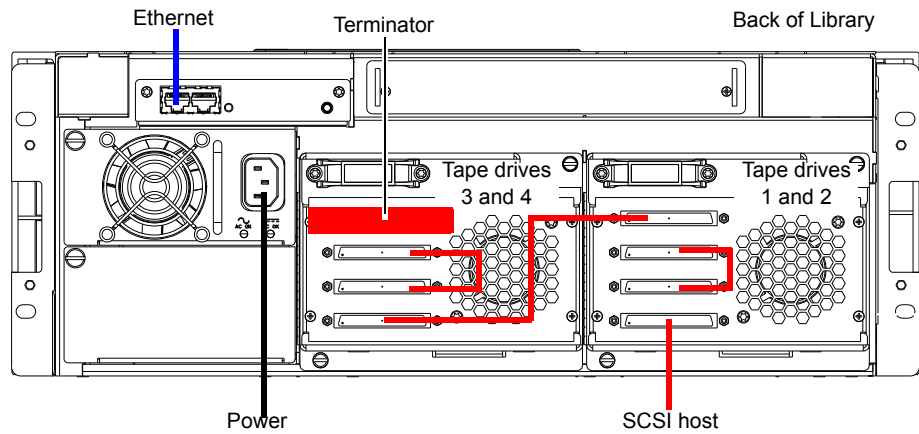




Figure 7 Scalar 50 Cable Configuration (Native Fibre Channel Half-Height Drives)

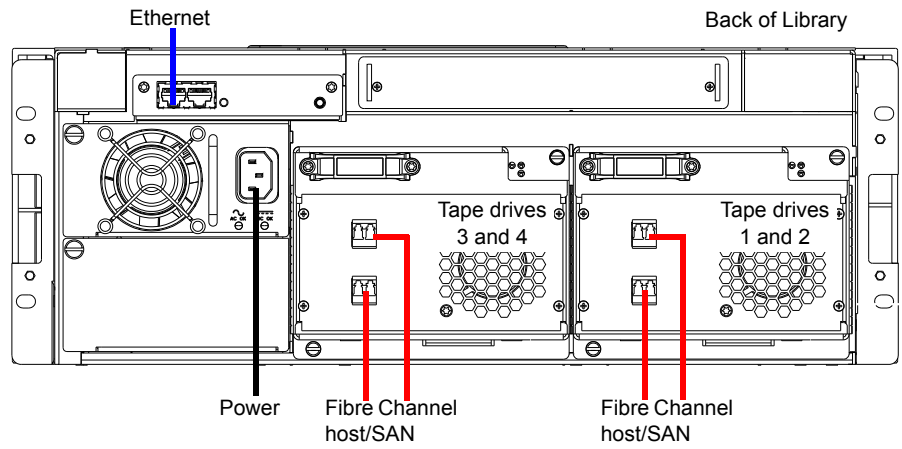
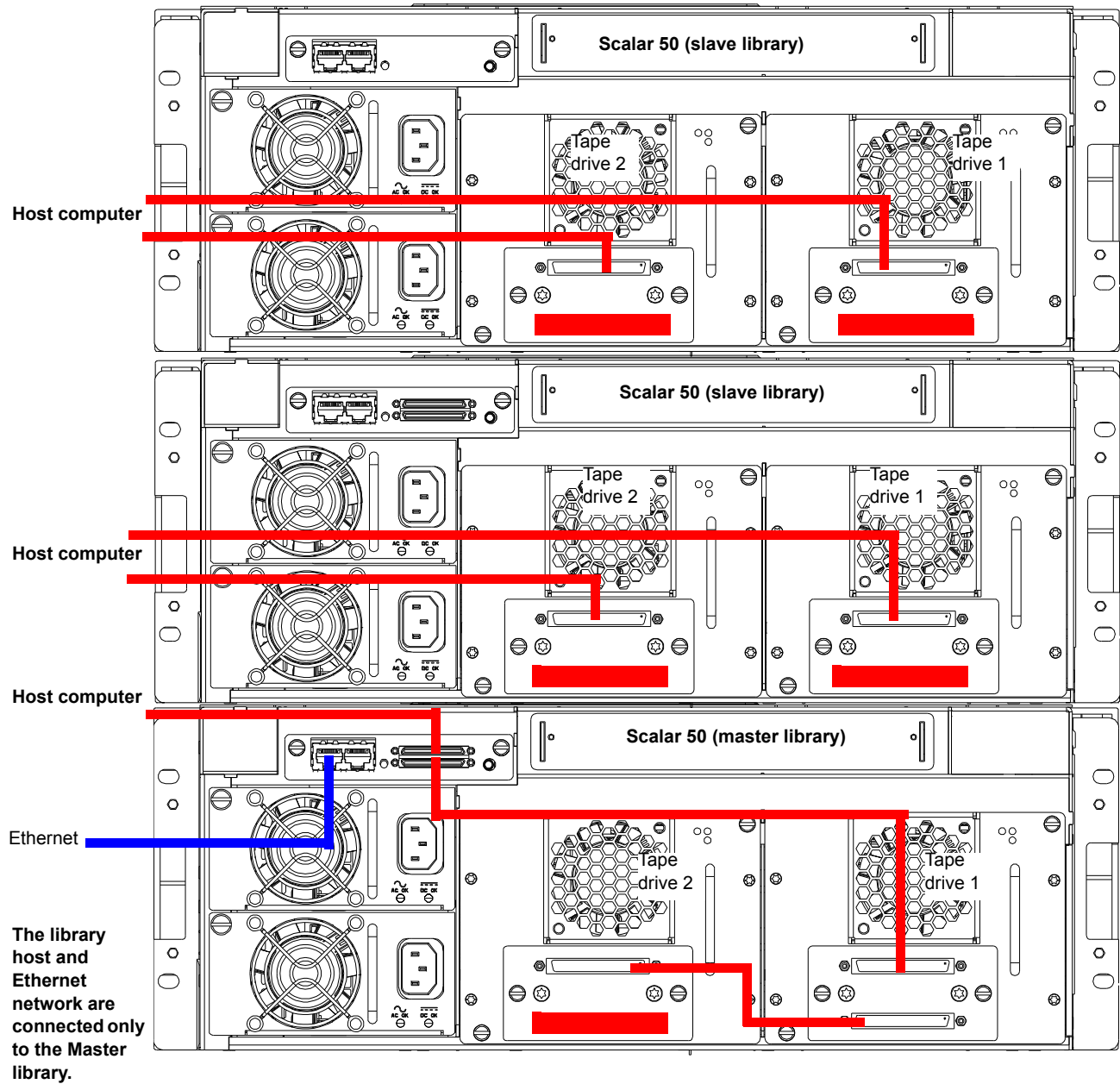


Figure 8 Scalar 50 Cable Configuration (Stacked)



---

## Setting the Tape Drive SCSI ID

The next step in the installation procedure is to set the required SCSI ID for the new tape drive.

**Note:** The library assigns SCSI IDs based on the drive order. Drive bay 1 = SCSI ID 1, drive bay 2 = SCSI ID 2, and so forth. It is only necessary to perform the steps in this section if you need to set the tape drive SCSI ID to an ID other than the default.

There are two ways to set the tape drive SCSI ID:

- [Setting the SCSI ID Using the OCP](#)
- [Setting the SCSI ID from the Remote Management Pages](#)

---

### Setting the SCSI ID Using the OCP

To set the tape drive SCSI ID on an Scalar 50 Series library with an LCD:

- 1 From the operator control panel (OCP), press **Setup** from the **Home** screen. The OCP displays the **Setup** screen (see [figure 9](#)):

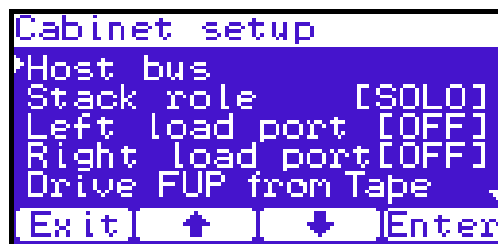
Figure 9 Setup Screen



- 2 Use the up and down arrows to highlight **Cabinet** and press **Enter**.

The **Cabinet** screen displays (see [figure 10](#)):

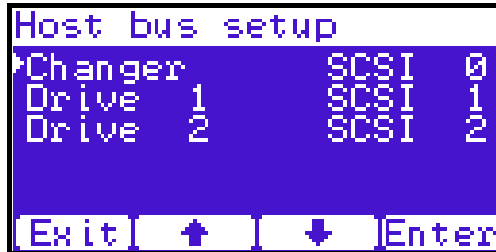
Figure 10 Library Options Screen



- 3 Use the up and down arrows to highlight **Host bus** and press **Enter**.

The **Host bus** screen displays (see [figure 11](#)):

Figure 11 Host Bus  
Options Screen



- 4 Use the up and down arrows to highlight the tape drive receiving the new SCSI ID and press **Enter**.
- 5 Use the up and down arrows to select a SCSI ID and press **Enter** to set the ID.
- 6 When you have completed setting the SCSI IDs, press **Exit** to return to the **Cabinet** screen.
- 7 From the **Ops** screen, use the up and down arrows to highlight **Drive Operations** and press **Enter**.

The **Drive Operations** screen displays (see [figure 12](#)):

Figure 12 Drive  
Operations Screen



- 8 Use the up and down arrows to select a tape drive and press **Enter**.
- 9 Use the up and down arrows to select **Off** and press **Enter**.  
The tape drive powers down and returns to the **Drive Operations** screen.
- 10 Use the up and down arrows to select **On** and press **Enter**.  
The tape drive powers on and is ready for use. The tape drive installation is complete.

### Setting the SCSI ID from the Remote Management Pages

To set the tape drive SCSI ID on a Scalar 50 Series library from the remote management pages:

**Note:** The library must be off-line during this procedure.

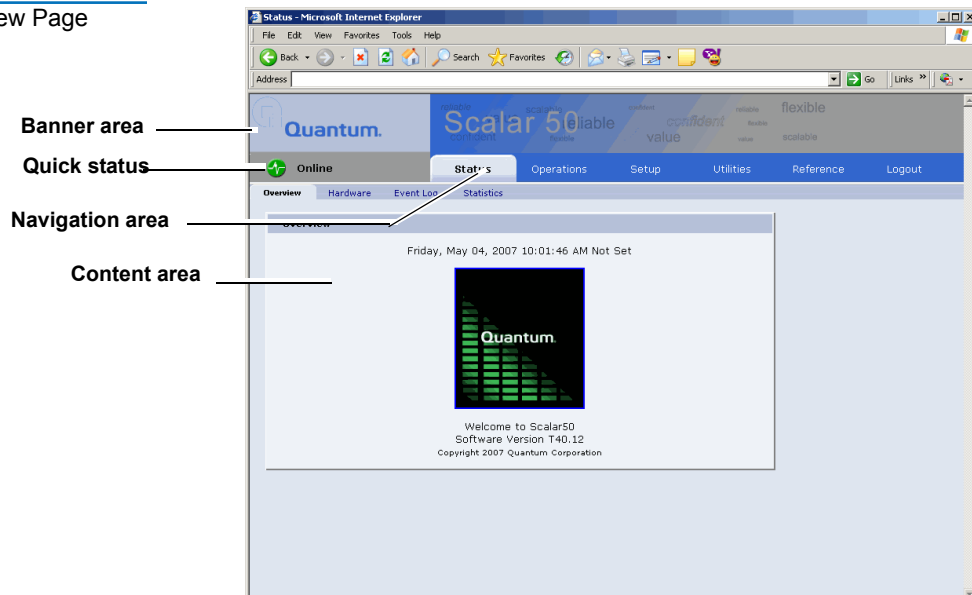
- 1 On the host computer, open the internet browser software.
- 2 In the **Address** field, type `http://IPaddress/` where IP address is the IP address for the Quantum Scalar 50 Series library.

- 3 Enter the username and password and click **OK**.

**Note:** The default username and password is **admin**.

The **Overview** page displays (see [figure 13](#)):

Figure 13 Overview Page



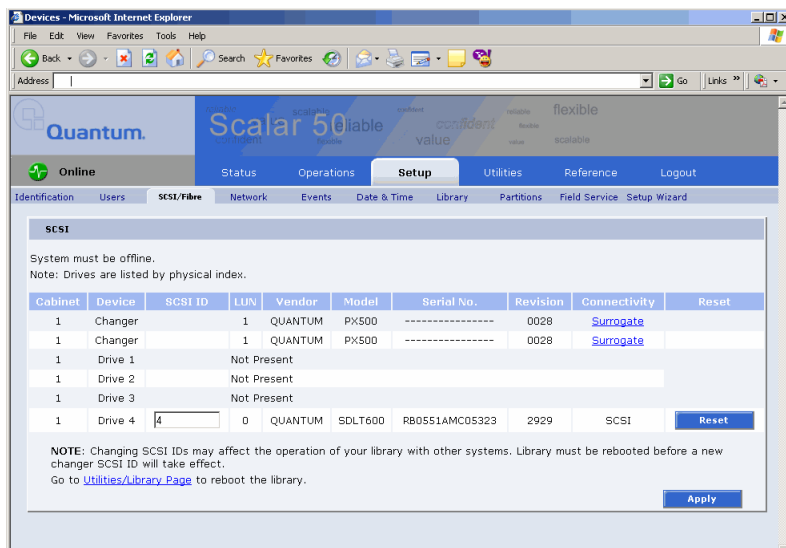
- 4 Click the **Setup** tab.

The **Setup** tab displays.

- 5 Click on the **SCSI** tab at the top of the **Setup** tab.

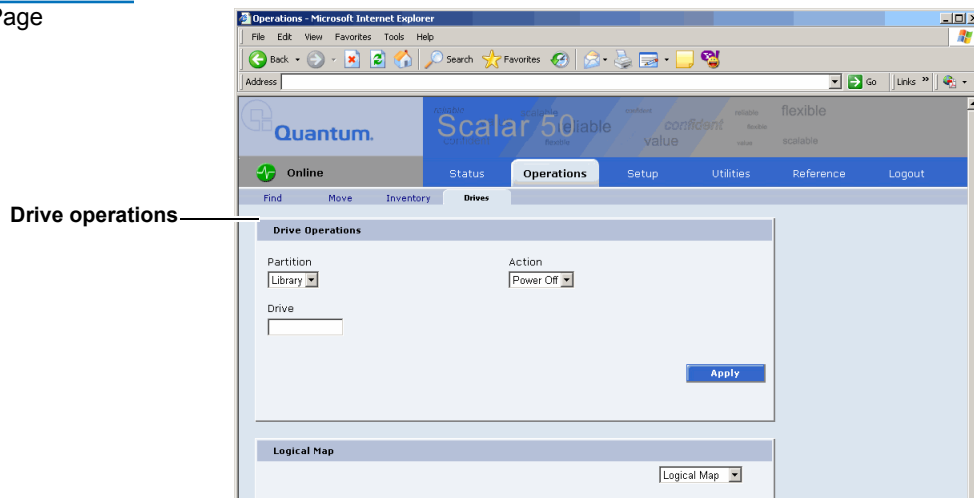
The **SCSI** page displays (see [figure 14](#)).

Figure 14 SCSI Page



- 6 To change a SCSI ID, enter the ID number in the field next to the device and click **Apply**.
- 7 From the **Operations** page, click on the **Drives** tab.  
The **Drives** page displays (see [figure 15](#)):

Figure 15 Drives Page



- 8 Enter the new tape drive number
- 9 Select **shutdown** and click **Apply**.  
The tape drive powers down.
- 10 Enter the new tape drive number
- 11 Select **Power on** and click **Apply**.  
The tape drive powers on. The tape drive installation is complete.

**Note:** The firmware revision on the new tape drive(s) must match the firmware revision on the currently installed tape drives (of the same tape drive type). If the new tape drive has a different revision, you must download the appropriate tape drive firmware from Quantum and update the drive. All tape drives in the library must contain the same firmware revision. You can view the tape drive firmware revision on the OCP under **Drive Operations**.

## Completing the Native Fibre Channel Installation

After native Fibre Channel tape drives are installed, additional information must be gathered to complete the installation and verify connectivity. Completing the native Fibre Channel tape drive installation consists of the following steps:

- [Determining the WWNs World Wide Names](#)
- [Verifying Library Connectivity](#)

---

### Determining the WWNs World Wide Names

The media changer (robot) and tape drives within the library have WWNs World Wide Names assigned to them by the system controller board (SCB). The WWNs must be determined and recorded both for the customer and for Quantum customer support. This information is important when replacing the Fibre Channel SCB and tape drives. Using the following procedures, complete [table 3](#) and retain a copy of the table for your records. Have this table available when contacting Quantum Customer Support for any library or tape drive connectivity issues.

---

Table 3 Library World Wide Names

Library/Tape Drive	World Wide Name (e.g. 50:05:08:40:00:16:47:00)
Media Changer (robot)	
Tape drive 1	
Tape drive 2	
Tape drive 3	
Tape drive 4	

### Using the Remote Management to Determine the WWNs

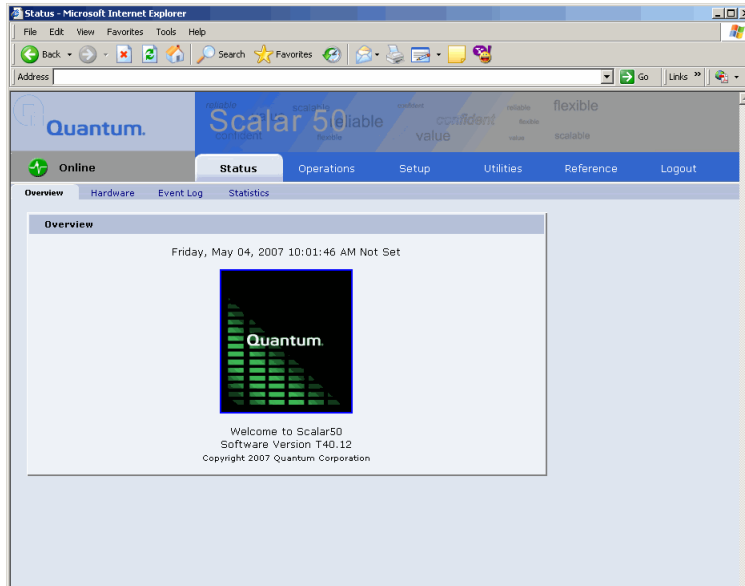
To determine the WWNs from the library remote management pages:

- 1 On the host computer, open the internet browser software.
- 2 In the **Address** field, type `http://IPaddress/` where IP address is the IP address for the Quantum Scalar 50 series library.
- 3 Enter the username and password and click **OK**.

<b>Note:</b> The default username and password is <b>admin</b> .
------------------------------------------------------------------

The **Overview** page displays (see [figure 16](#)):

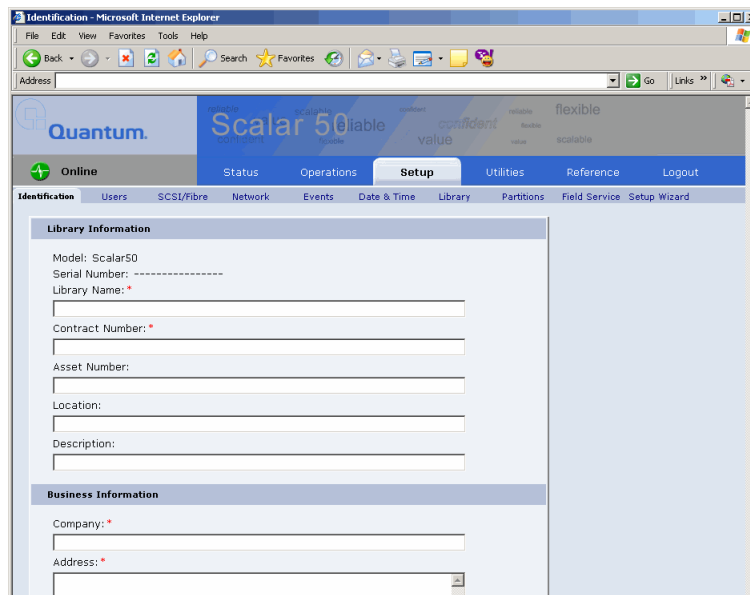
Figure 16 Overview Page



4 Click **Setup** from the contents frame.

The management frame displays the **Setup** page (see [figure 17](#)).

Figure 17 Setup Page

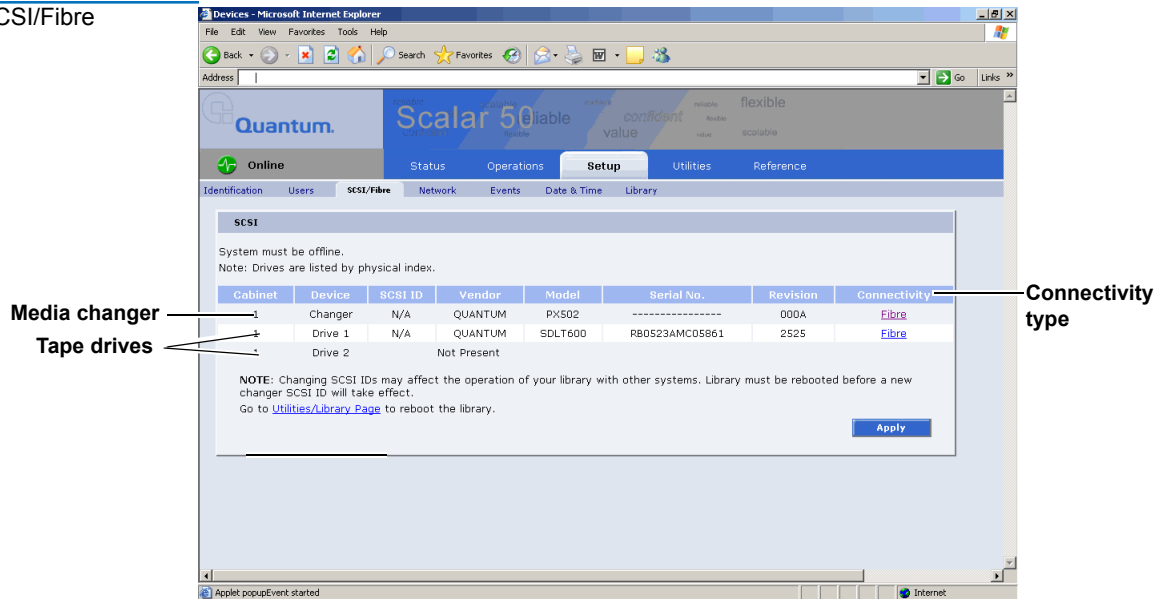


5 Click on the **SCSI/Fibre** tab.

The **SCSI/Fibre** page displays (see [figure 18](#)).



Figure 18 SCSI/Fibre Page



6 For the **Media Changer** and **Tape Drives**, click **Fibre** under the **Connectivity type**.

The **Media Changer** (see [figure 19](#)) and **Tape Drive Configuration** (see [figure 20](#)) screen displays.

Figure 19 Media Changer Configuration Screen

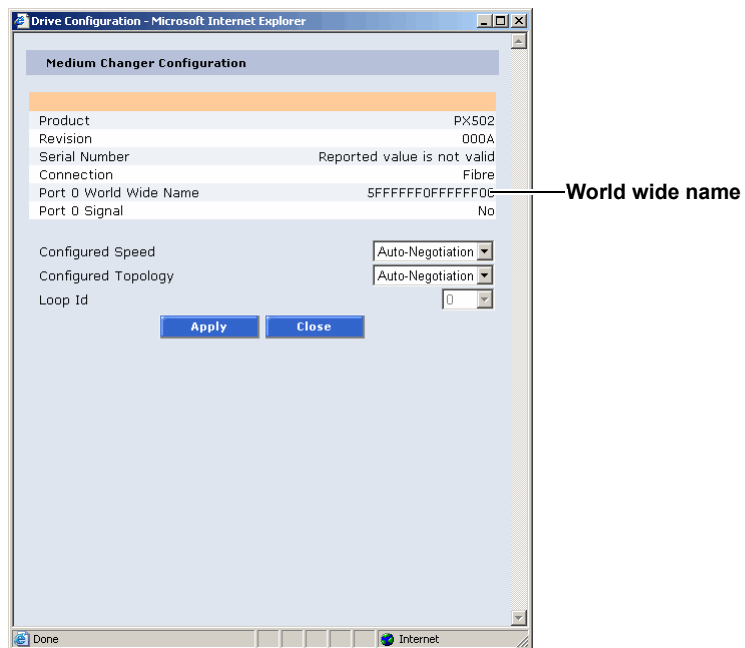
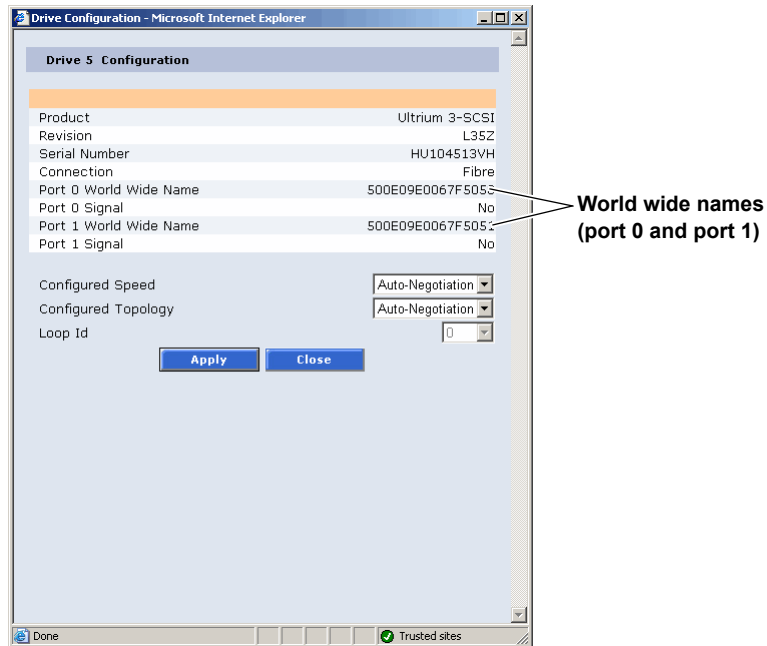


Figure 20 Tape Drive Configuration Screen



7 Record the WWNs for the media changer and tape drives in [table 3](#).

**Note:** These numbers are the world wide NODE names for the library and tape drives. The World Wide Port Name is very similar to the World Wide Node Name, however, the last hex byte is 01h greater than the last hex byte of the node name.

- Repeat [step 6](#) for all tape drives in the library

or

- Add **04h** to the last hex byte to derive the WWN for the next tape drive.

Example: **Drive 0** WWN is 50:05:08:40:16:6B:**00**, **Drive 1** WWN will be 50:05:08:40:16:6B:**04**, **Drive 2** WWN will be 50:05:08:40:16:6B:**08**.

8 To determine the WWN for the media changer, subtract **01h** from the next to last hex byte of the WWN for **Drive 0**.

Example: **Drive 0** WWN is 50:05:08:40:16:**6B**:00, **Media Changer** WWN will be 50:05:08:40:16:**6A**:00.

## Verifying Library Connectivity

To verify the tape drive installation, you should verify that the library and tape drives are recognized from the host or from the SAN switch.

If the SAN switch is available, it is possible to verify connectivity by connecting to the switch. There are two ways to directly access the SAN switch:

- [Connect Via a Telnet Session](#)

- [Connect Via a Web Browser](#)

**Note:** The information below applies to a Brocade SAN switch. For other SAN switches, contact the SAN administrator.

### Connect Via a Telnet Session

To connect via a Telnet session to a SAN switch:

- 1 Connect the service laptop to the SAN switch using an Ethernet cross-over cable, or by connecting to the LAN (if available).
- 2 On the service laptop, open a command prompt window.
- 3 From the command prompt, enter the following command and press <Enter>:

```
telnet <IP address of SAN switch>
```

The SAN switch login prompt displays.

- 4 Enter the **username** and **password** and press <Enter>.

**Note:** For Brocade SAN switches, the default login is **admin** for the username and **password** for password. This may have been changed by the system administrator. For all other switches, contact the system administrator.

- 5 For Brocade switches, at the command prompt, type **nsshow** and press <Enter>.

The nsshow command displays (see [figure 21](#)).

Figure 21 Nsshow Command

```
Select C:\WINNT\system32\cmd.exe
login: admin
Password:
switch:admin>
switch:admin>
switch:admin> nsshow
The Local Name Server has 4 entries <
Type Pid COS PortName NodeName TTL(sec)
NL 011001; 3;50:05:08:40:44:00:8d:01;50:05:08:40:44:00:8d:00; na
FC4s: FCP IHP Ultrium 2-SCSI K46Z1
Fabric Port Name: 20:00:00:60:69:30:3d:c9
NL 01101; 3;50:05:08:40:44:00:8d:05;50:05:08:40:44:00:8d:04; na
FC4s: FCP IHP Ultrium 2-SCSI K46Z1
Fabric Port Name: 20:01:00:60:69:30:3d:c9
N 011200; 3;50:05:08:40:44:00:8c:00;50:05:08:40:44:00:8c:00; na
FC4s: FCP IQANTUM PX720 1.021
Fabric Port Name: 20:02:00:60:69:30:3d:c9
N 011300; 3;21:00:00:e0:8b:10:d3;3;20:00:00:e0:8b:10:d3:d3 na
FC4s: FCP
NodeSymb: [42] "QLA2342 FW:v3.02.1 DUR:v8.2.3.1 <w32 UI>"
Fabric Port Name: 20:03:00:60:69:30:3d:c9
)
switch:admin> switchshow
switchName: switch
```

WWN for the library

WWN for the second Native Fibre channel drive

WWN for the first Native Fibre channel drive

If the world wide names are visible from the **nsshow** command, the connectivity is verified.

### Connect Via a Web Browser

To connect via a web browser:

- 1 Connect the service laptop to the SAN switch using an Ethernet cross-over cable.
- 2 On the service laptop, launch a web browser such as Internet Explorer.
- 3 In the **Address** field, type `http://IPaddress/` where IP address is the IP address for the SAN switch and press <Enter>.

The SAN switch web based utility displays.

- 4 Examine the Name Server table for the status of the switch ports and the WWNs of the connected devices.

If the WWNs for the library and all tape drives are visible, the connectivity is verified.

---

## Fibre Channel Connectivity Troubleshooting

Refer to the following sections Fibre Channel connectivity troubleshooting:

- [Fibre Channel Connectivity Troubleshooting](#)
- [SCSI ID Assignment with Native Fibre Channel Tape Drives](#)

---

### Fibre Channel Connectivity Troubleshooting

The following section provides Fibre Channel connectivity problems and resolutions when connecting via Fibre Channel to the SAN switch, or directly to the library and drives.

- 1 Medium changer and drives are not visible in the device manager
  - a Check all cable connections.
  - b Check the SAN switch port LEDs for connection status to the library Fibre Channel HBA and tape drives.
  - c If you are connected to the SAN switch, verify that you are connected to the same zone as the library and tape drives. If you are unsure, try one of the ports on the SAN switch that a tape drive is connected to.

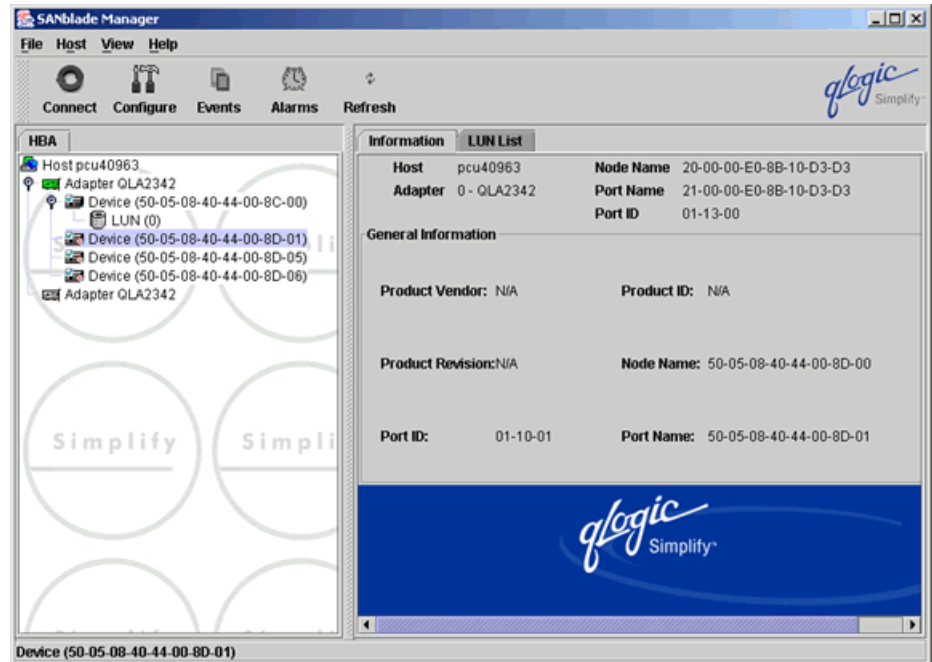
**Note:** If you are not on a port in the same zone as the library and all of the drives, you will not be able to verify connectivity.

- d Verify that the SAN switch is powered on and operating normally.

- e If you are still unable to view the Fibre Channel devices, launch the SANSurfer SANblade manager and click **Connect**. Accept the default “localhost” entry.

The SANblade manager displays (see [figure 22](#)).

Figure 22 SANblade Manager



The SANblade manager should display all connected Fibre Channel devices. If the library and tape drives do NOT display, check the cabling and connection status.

### SCSI ID Assignment with Native Fibre Channel Tape Drives

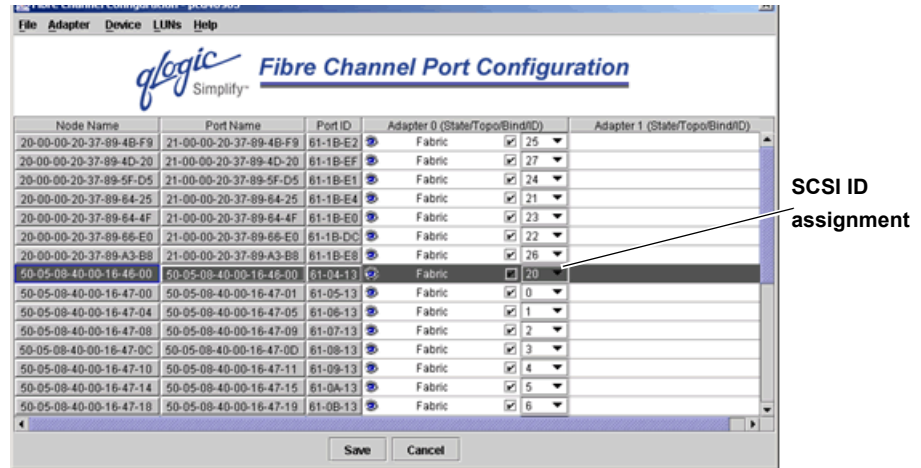
With native Fibre Channel tape drives, each tape drive is its own Fibre Channel target with a dedicated WWN and on LUN 0. The host (including the laptop using MAGMA box) will pick up the devices and assign local SCSI IDs in the order that the SAN devices are discovered. This will in almost every case NOT match the order of the devices as they are installed in the library. This is not a problem from the customer point of view, as long as drive serialization is enabled on the library and serialization is supported by the customer's ISV application. This will allow the ISV application to put the drives in the correct order within the application.

In some rare cases it may be necessary to re-map the local SCSI ID assignments so that the library changer is at SCSI ID 0 and the drive SCSI ID assignments follow in order. The important thing to remember is that the order of the SCSI IDs on your system will probably not match the order of the drives in the library. Make sure to check the SCSI ID that is assigned to the WWN of the drive you want to communicate with or you may be communicating to the wrong drive.

To display the SCSI ID assignments:

- 1 From the SANblade manager program, click **Configure**.  
The port configuration screen displays (see [figure 23](#)).

Figure 23 Port Configuration Screen



The port configuration screen allows you to change the SCSI ID order if the Fibre Channel HBA drive supports persistent bindings.

Click on the drop down ID box to change the SCSI ID assignment as desired.



