

---

# ATL PowerStor L200 Series Library Unpacking Instructions

---

Introduction.....	3
Purpose.....	3
Library Configurations .....	3

---

Selecting an Installation Location .....	4
Floor Space.....	4
Overhead Clearance .....	4
Surface Strength and Inclination .....	5
Power and Grounding .....	5
Environmental Specifications .....	5

---

Unpacking the Library.....	6
Before You Begin.....	6
Uncrating the Rack-Mount Kit.....	6
Installing the Rack-Mount Kit.....	6
Uncrating the Library.....	7



## Introduction

---

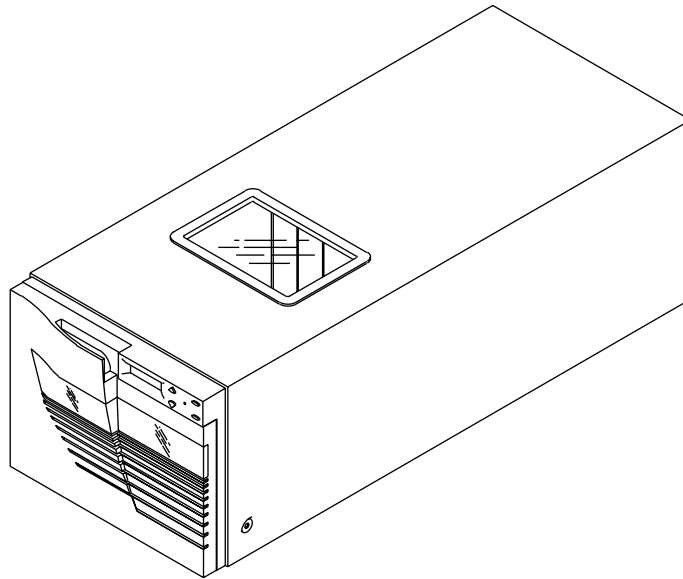
### Purpose

The ATL PowerStor L200 Series is an automated storage and retrieval library system consisting of one DLT™ tape drive and eight DLTape cartridges (see figure 1).

This document explains how to unpack the L200 Series library properly. Once the library is unpacked and moved to the desired installation location, set up the library using the instructions in the *ATL Powerstor L200 Series Library User's Guide*.

---

Figure 1 ATL PowerStor  
L200 Series Library



---

### Library Configurations

The L200 Series is shipped in two configurations:

- desktop configuration
- rack-mount configuration

---

## Selecting an Installation Location

When selecting an installation location for the library, consider the following:

- floor space
- overhead clearance
- installation surface strength and inclination
- power and grounding
- environmental specifications

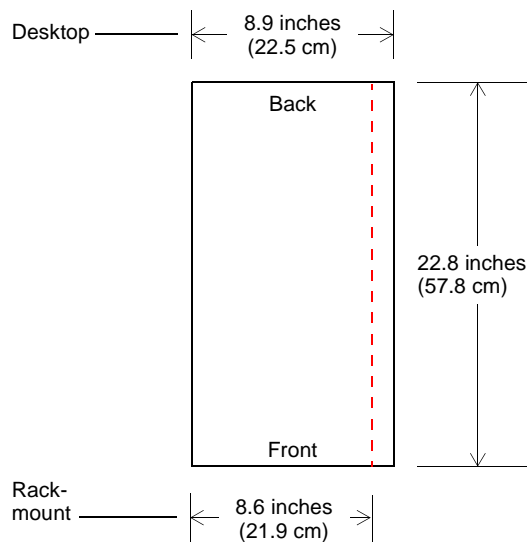
---

### Floor Space

Figure 2 shows the floor space requirements for setting up and operating the desktop and rack-mount library.

---

Figure 2 Floor Space Requirements



The width of the desktop library is 8.9 inches (22.5 cm). The width of the rack-mount library is 8.6 inches (21.9 cm). The depth of both library versions is 22.8 inches (57.8 cm).

---

### Overhead Clearance

The height of the stand-alone library is 7.6 inches (19.4 cm). The height of the rack-mount library is 6.9 inches (17.5 cm).

To remove and replace the library enclosure, you need an overhead clearance slightly greater than the height of the library.

---

**Surface Strength and  
Inclination**

Place the library and rack on a clean, level surface. If the library will be placed on a desk or table, make sure it is sturdy enough to support the library's weight (37 lbs/16.8 kg).

---

**Power and Grounding**

The electrical ratings for the library are 100 to 120/200 to 240 VAC, 50/60 Hertz.

---

**Environmental  
Specifications**

The installation location should meet the following environmental specifications.

- Temperature: 50°F to 104°F (10°C to 40°C)
- Relative humidity: 20% to 80% noncondensing
- Humidity gradient: 10% per hour
- Dry bulb temperature: 50°F to 104°F (10°C to 40°C)
- Wet bulb temperature: 77°F (25°C)
- Temperature gradient: 19.8°F per hour (11°C per hour) across the range
- Temperature shock: 18°F (10°C) over two minutes
- Altitude: -500 feet to 30,000 feet (-152.4 meters to 9144 meters)

## Unpacking the Library

Unpack the library as close to the installation location as possible.

The unpacking instructions vary depending upon whether you received a desktop or rack-mount library. If you received a desktop library, you should have only one shipping carton. Follow the instructions in “Uncrating the Library” on page 7 to unpack the library.

If you received the rack-mount library, you will have two shipping cartons. The large carton contains the library, and the smaller carton contains the rack-mount kit.

To unpack and install the rack-mount library, you must:

- Uncrate the rack-mount kit and verify its contents (see “Uncrating the Rack-Mount Kit”).
- Install the rack-mount kit in the rack (see “Installing the Rack-Mount Kit”).
- Uncrate the library and place it in the rack (see “Uncrating the Library”).

---

### Before You Begin

Inspect the shipping pallet and carton for damage that may have occurred during shipment. Report any damage to the shipper immediately.

---

### Uncrating the Rack-Mount Kit

Cut the packing tape at the top of the shipping carton and unpack the rack-mount kit. Before installing the rack-mount kit in the rack, compare the contents of the carton with the packing list inside the shipping carton.

---

### Installing the Rack-Mount Kit

Install the rack-mount kit in the rack, referring to the drawing provided in the shipping carton.

---

## Uncrating the Library

To uncrate an ATL PowerStor L200 Series library:

---

### Procedure

- 1 Cut the straps that secure the shipping carton to the pallet (see figure 3).
- 2 Lift the carton off of the pallet.

---

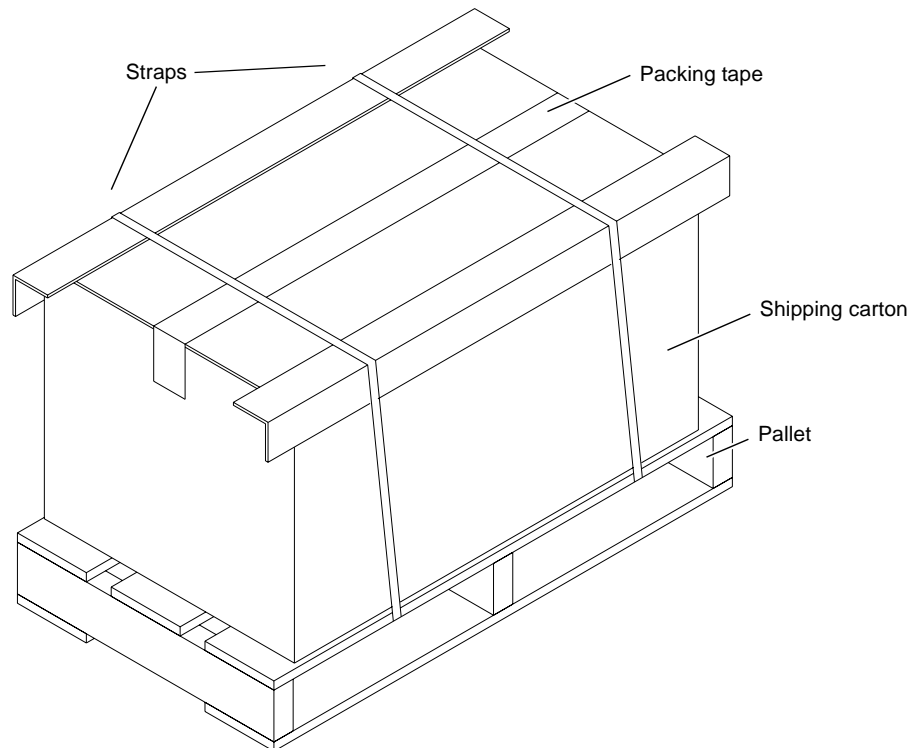
**Caution:** The library weighs 37 lbs (16.8 kg). Two people should perform any procedure that involves lifting or moving the library.

---

- 3 Open the top of the shipping carton by carefully cutting the packing tape.

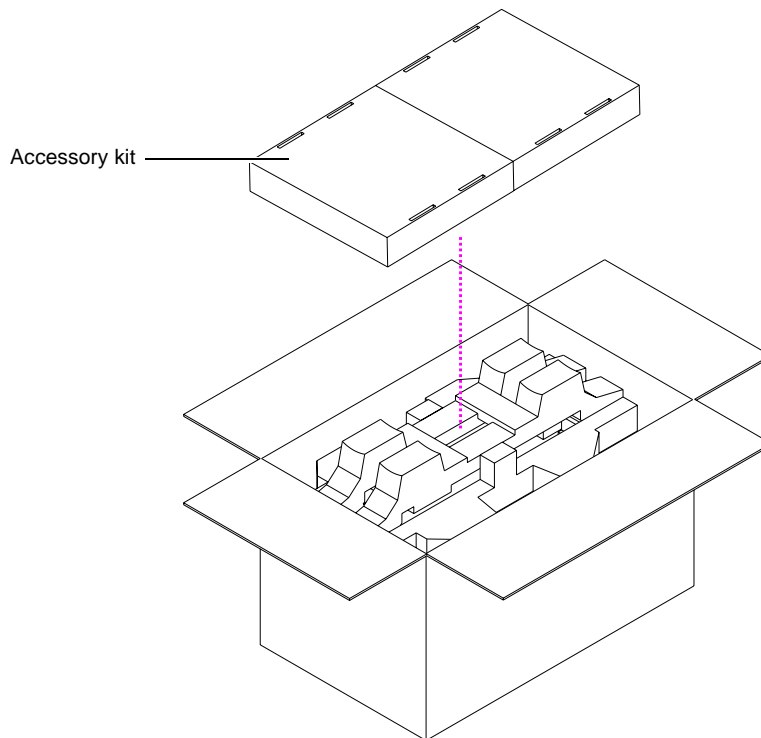
---

Figure 3 Removing the Shipping Carton from the Pallet



- 4 Remove the accessory kit from the carton (see figure 4).

Figure 4 Removing the  
Accessories Boxes



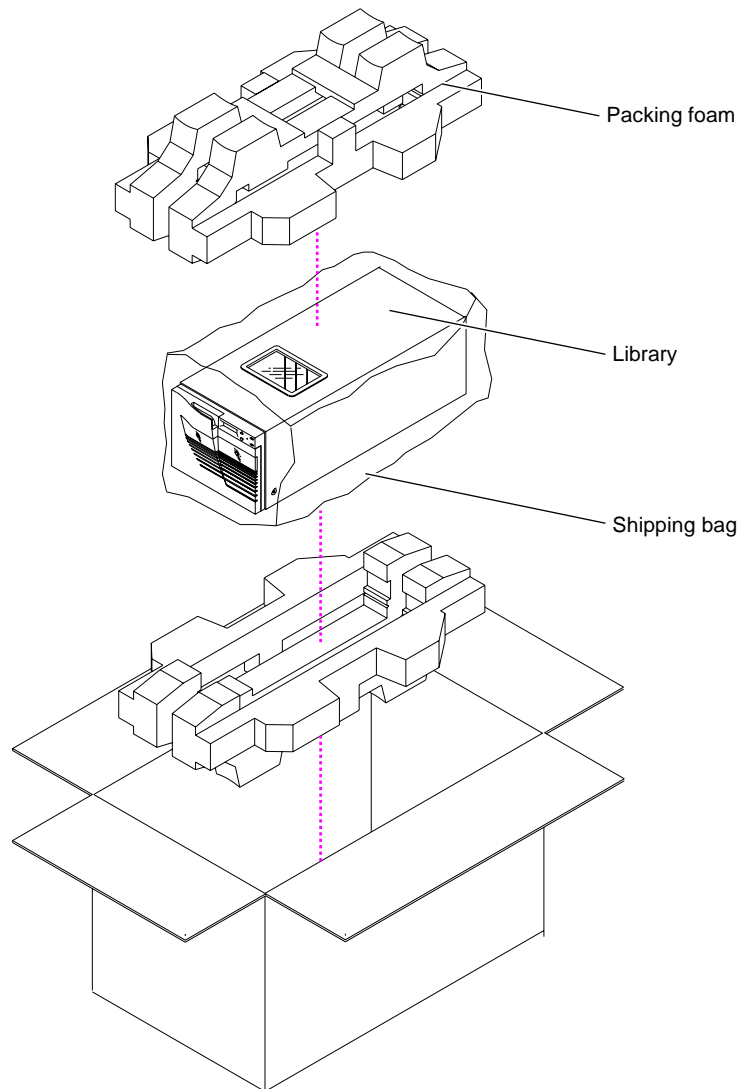
---

**Procedure (continued)**

- 5 Remove the packing foam from the top of the library (see figure 5).
- 6 With two people lifting the library, remove it from the shipping carton.
- 7 Remove the library from the shipping bag.
- 8 Place the library in the installation location. If it is a rack-mount library, place it in the rack.



Figure 5 Removing the Library from the Shipping Carton



The library is now unpacked. Refer to the *ATL PowerStor L200 Series Library User's Guide* for information about connecting the library cables and operating the library.