

FastStor™ 2

Installing or Removing a Barcode Reader

A barcode reader enables your FastStor 2 autoloader to read tape cartridge information contained in barcode labels attached to data cartridges. The barcode becomes part of the information stored in the application software.

Contents

Page	Topic
1	What's in the Box?
1	Tools Required
2	Installing a Barcode Reader
5	Removing a Barcode Reader
6	Contacting ADIC

What's in the Box?

The following items are included in your barcode reader kit.

Description	Quantity
Barcode reader	1
Barcode label sheet	1

Tools Required

The following tools are required to work with the barcode reader kit.

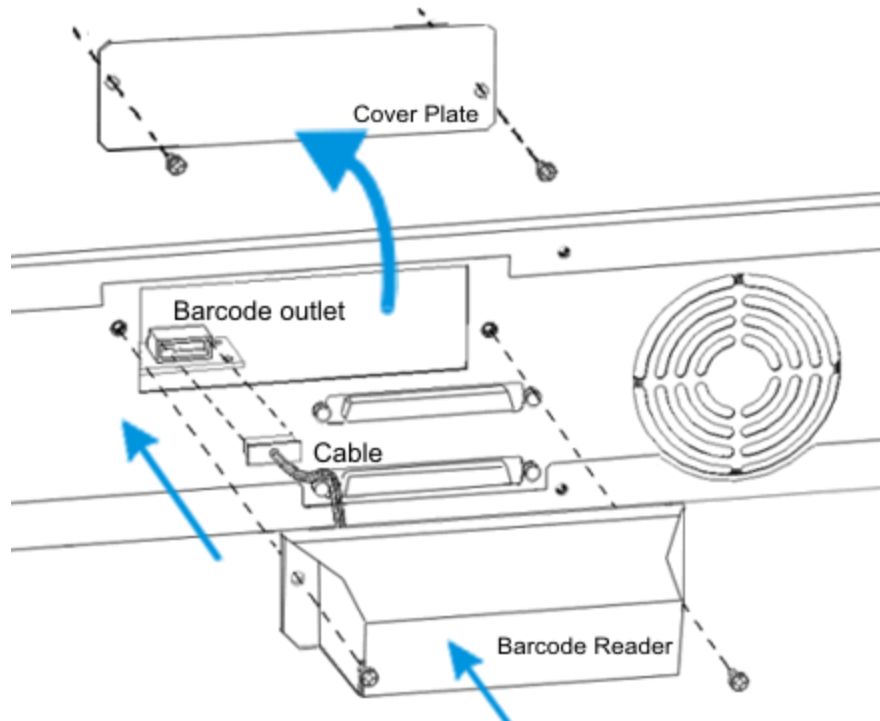
Description	Quantity
A small flat blade screwdriver	1



Installing a Barcode Reader

Use the following instructions to install the barcode reader to the rear of the autoloader unit. Use [Figure 1](#) as a reference.

Figure 1 Installing a Barcode Reader



- 1 Turn off your autoloader and remove the SCSI cable(s) from the rear panel, and then disconnect the power cord from the outlet.
- 2 The cover plate is on the rear panel of the autoloader. Using a flat blade screwdriver, remove the cover plate and store it in a secure locations for future use.
Save the screws for Step 4. Store the cover plate in a secure location.
- 3 Align the barcode reader to the outlet and then attach the barcode reader cable to the barcode outlet. Be careful not to force the barcode reader into the outlet. If you try to install the barcode reader upside down, the cable connections will not match.
- 4 Using a flat blade screwdriver, attach the barcode reader to the rear panel of the autoloader using the screws from the cover plate.
- 5 Reconnect the SCSI cable(s) and the power cord to your autoloader.

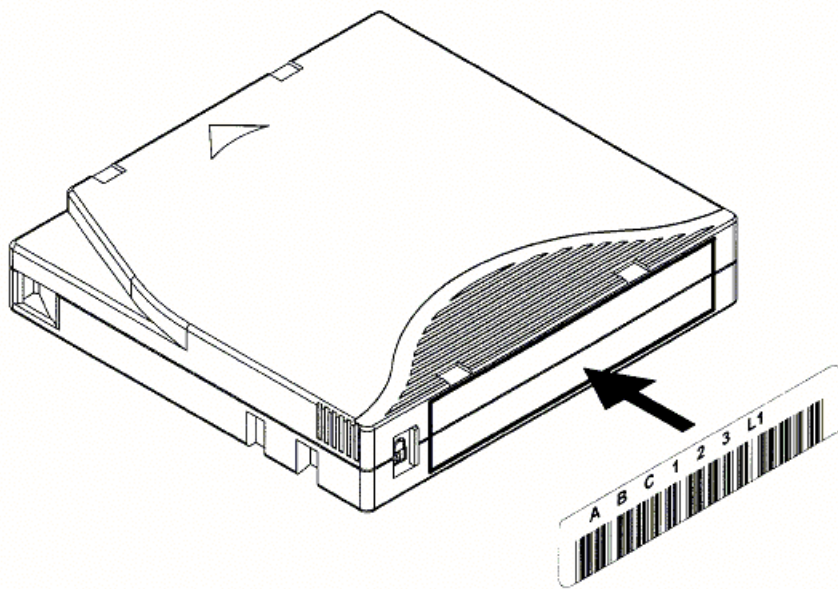
Applying Barcode Labels to Cartridges

Before your barcode reader can operate, you must attach barcode labels to your data cartridges. If you insert cartridges that already have barcode labels, you must cycle the power on your autoloader. See the *FastStor 2 User's Guide* for information on loading media into your autoloader.

All barcode labels are applied to the front of the cartridge. Depending on the media type, barcode labels are either stickers that are adhered to the front of the tape cartridge or cutouts that you slide into an indentation on the front of the cartridge.

- Peel off the label and place it on the cartridge. Verify that label is oriented so the numbers appear right-side up and above the barcode. See [Figure 2](#) and [Figure 3](#).

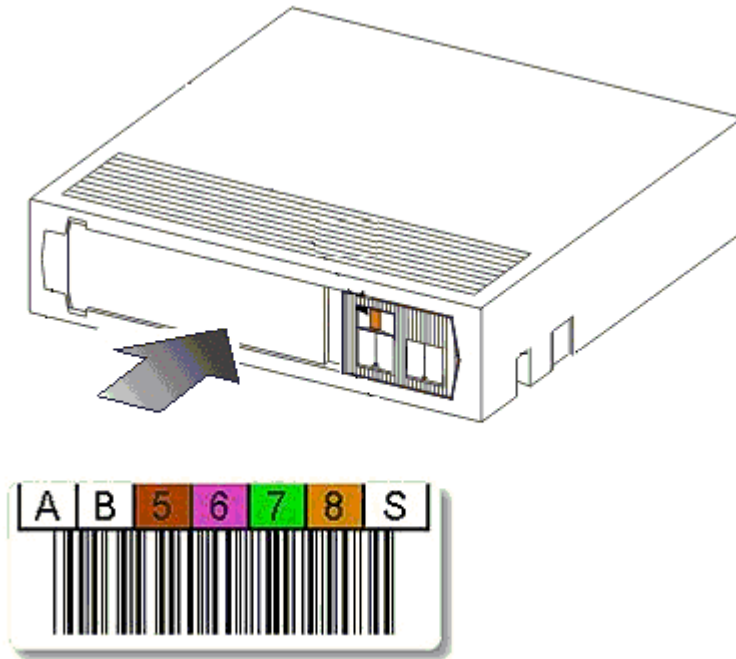
Figure 2 LTO Cartridge Barcode Placemen



CAUTION

Be careful not to apply barcode labels upside down.

Figure 3 Super DLTtape Cartridge Barcode Placement



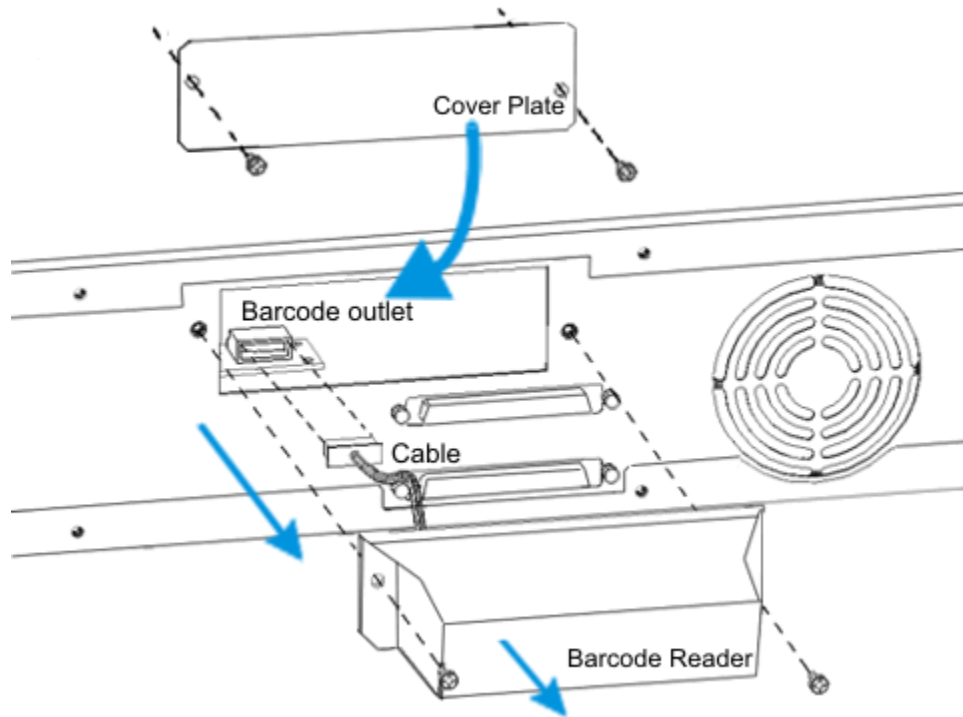
Configuring the Barcode Reader

Your host system senses the presence of the barcode reader at power-up and enables the barcode read function. The application software can start scanning barcode labels as soon as the autoloader is powered-up.

Removing a Barcode Reader

Use the following instructions to remove a barcode reader from your autoloader. Use [Figure 4](#) as a reference.

Figure 4 Removing a Barcode Reader



- 1 Turn off your autoloader, remove the SCSI cable(s) from the rear panel, and then disconnect the power cord from the outlet.
- 2 The barcode reader is installed on the rear of the autoloader. Using a flat blade screwdriver, unscrew the two screws that secure the barcode reader to the autoloader.
- 3 Unplug the barcode reader cord from the barcode outlet.
- 4 Replace the cover panel that you removed during installation (refer to [Installing a Barcode Reader](#) on page 2) to the back of the autoloader, using the screws that secured the barcode reader to the autoloader.

The cover panel prevents dust and other foreign items from entering the autoloader.

- 5 Reconnect the SCSI cable(s) and the power cord to your autoloader.
- 6 Store the barcode reader in a cool dry place.

Contacting ADIC

If problems cannot be solved with the aid of this document or if training is desired, contact the ADIC Technical Assistance Center (ATAC).

In the USA: 800-827-3822

In Europe and Japan: 00-800-9999-3822

For other contact numbers: www.adic.com/contact

To open a Service Request online: www.adic.com/techsup