



Quantum DXi-Series Command Line Interface (CLI) Guide

Introduction	1
<hr/>	
CLI Users	1
CLI Passwords or Authorized Keys	2
Available Linux Commands	2
<hr/>	
CLI Syntax Conventions	3
<hr/>	
Adding the CLI Directory to the Path	4
<hr/>	
CLI Help Commands	4
<hr/>	
CLI Special Options	5
Syntax of Options File	6
<hr/>	
CLI Exit Code	6
<hr/>	
Web Services Support (Optional)	7
Web Services Syntax	7
Web Services Session.	8
Sample Web Services Session	8
Supported Web Services Commands.	9
How to Run Unsupported Web Services Commands	10
Documentation of Web Services Commands.	10



VTL Configuration CLI Commands	10
Listing Existing VTL and Its Attributes	11
Listing Available Library Models	12
Listing of Supported Tape Drive	12
Adding a VTL.	13
Editing a VTL.	13
Deleting a VTL.	13
Listing the Media Types.	14
Creating Media	14
Listing the Media and Attributes.	15
Media Actions	15
Deleting All Media.	16
Turning a VTL Online/Offline	16
Listing Available Hosts.	16
Adding a Host.	16
Editing a Host	16
Deleting a Host	17
Listing Targets.	17
Listing Devices.	17
Listing the SAN Client Group.	18
Adding a SAN Clients Group	18
Deleting a SAN Client Group	19
Listing VTL Storage Locations and Index	19
Moving Media.	20
Unloading Media	20
Resetting the VTL Target Ports	21

NAS Configuration CLI Commands	21
Listing the Existing NAS Share and Attributes	22

This document is for DXi 2.1.1 Software. Made in the USA. Quantum Corporation provides this publication “as is” without warranty of any kind, either express or implied, including but not limited to the implied warranties of merchantability or fitness for a particular purpose. Quantum Corporation may revise this publication from time to time without notice.

COPYRIGHT STATEMENT

© 2012 Quantum Corporation. All rights reserved. Your right to copy this manual is limited by copyright law. Making copies or adaptations without prior written authorization of Quantum Corporation is prohibited by law and constitutes a punishable violation of the law.

TRADEMARK STATEMENT

Quantum, the Quantum logo, DLT, DLTtape, the DLTtape logo, SuperLoader, Scalar, StorNext, and DXi are registered trademarks of Quantum Corporation, registered in the U.S. and other countries. Preserving the World's Most Important Data. Yours., Backup. Recovery. Archive. It's What We Do., the DLT logo, DLTSage, Dynamic Powerdown, FastSense, FlexLink, GoVault, MediaShield, Optyon, Pocket-sized. Well-armored, SDLT, SiteCare, SmartVerify, StorageCare, Super DLTtape, and Vision are trademarks of Quantum. LTO and Ultrium are trademarks of HP, IBM, and Quantum in the U.S. and other countries. All other trademarks are the property of their respective companies. Specifications are subject to change without notice.

Listing of Existing NAS Share Names	22
Getting the Total NAS Share Count	22
Adding a NAS Share	23
Editing a NAS Share	24
Enabling Allowlinks on a NAS Share	25
Deleting a NAS Share	25
Deleting All NAS Shares	25
Joining or Disjoining a Windows Domain	26
Workgroup Users	27
Share Administrators	29
CIFS Share Access Control	30
NFS Share Access Control	32
Getting NFS Share Settings	33
Changing NFS Share Settings	33
Query Status of a NAS Service	33
Querying the CIFS Settings	34
Setting the CIFS Settings	34
Commit NFS Synchronously	35
Commit NFS Asynchronously	35

Replication CLI Commands	36
Initiating a Cartridge Based, File/Directory Based, or Namespace Replication	38
Locking a VTL or NAS Share	38
Unlocking a VTL or NAS Share	38
Getting VTL or NAS Share Lock Status	38
Initiating Source to Target Cartridge or File Synchronization	39
Generating a Replication Report	39
Listing the Allowed Replication Sources for the Target	39
Adding a Source on a Target	39
Deleting a Source on a Target	40
Listing the Replication Targets for the Source	40
Adding a Target on a Source	40
Deleting a Target on the Source	41
Enabling VTL Replication Options on the Source	41
Disabling VTL Replication Options on the Source	41
Enabling NAS Share Replication Options on the Source	41
Disabling NAS Share Replication Options on the Source	42
Checking Readiness on Source	42
Aborting Replication of VTL or NAS	42
Aborting Synchronization of VTL or NAS	42
Pausing the Replication Service on the Source	42
Resuming the Replication Service on the Source	42
Enabling All Replication for Both VTL and NAS on the Source	43

Disabling All Replication for Both VTL and NAS on the Source	43
Clearing Replication Statistics	43
Listing Deduplicated VTL on the Source	43
Listing Deduplicated NAS on the Source	43
Listing Replicated VTL on the Target	44
Listing a Replicated NAS Share on the Target	44
Recovering VTL on the Target	45
Recovering a NAS Share on the Target	45
Failback VTL To the Source from the Target System	46
Failback a NAS Share on the Target.	46
Deleting a Replicated VTL from the Target	47
Deleting a NAS Share on the Target	47
Listing the Replicated VTL Recovery Jobs on the Target.	47
Listing the Replicated NAS Recovery Jobs on Target	48
Deleting the Replicated VTL Recovery Jobs on the Target	48
Deleting the Replicated NAS Recovery Jobs on Target.	48
Listing the Replicated VTL Failback Jobs on the Target	48
Listing the Replicated NAS Failback Jobs on the Target.	48
Deleting the Replicated VTL Failback Jobs on the Target.	49
Deleting the Replicated NAS Failback Job on the Target	49
Aborting the Replicated VTL Failback Jobs on the Target	49
Aborting the Replicated NAS Failback Job on the Target.	49
Enabling the VTL Cartridge Based Replication on the Target.	49
Enabling NAS File/Directory Based Replication on the Target	49
Disabling VTL Cartridge Based Replication on the Target	49
Disabling NAS File/Directory Based Replication on the Target	50
Downloading a Replication Report	50
Getting the Status of Active Cartridge Base or File/Directory Request.	50
Getting the Status of the Active Synchronization Requests.	50
Listing the File/Directory-Based Replication Status and Statistics.	50
Listing the File/Directory-Based Replication Target Shares.	50
Listing the Cartridge Replication Status and Statistics.	50
Listing the VTL Cartridge Replication Status and Statistics	51
Mapping an OST IP to a Replication IP	51
Deleting an OST Target Mapping	51
Getting an OST Target Mapping	51

Scheduler CLI Commands	52
Adding an Event	52
Changing an Event	53
Listing Events	55
Deleting an Event	55

Statistics Report CLI Commands	56
Displaying the Disk Usage Statistics	56
Displaying Data Reduction Statistics	56
Displaying the Ingest Throughput Rate	56

OST CLI Commands	56
Adding a Storage Server	57
Deleting Storage Server	57
Editing a Storage Server	57
Listing a Storage Server	57
Adding an LSU	58
Deleting an LSU	58
Editing an LSU	58
Listing an LSU	58
Setting OST Global Settings	58
Getting OST Global Settings	59
Listing OST Global Settings	59

Other System Configuration CLI Commands	59
E-Mail Recipient CLI Commands	59
Outgoing E-mail Server CLI Commands	61
Sending a Test E-mail	61
E-mail Home CLI Commands	61
SNMP Trap Destination CLI Commands	63

Utility CLI Commands	65
Upgrading the System Firmware	66
Getting the Cluster Status of Local Node	66
Space Reclamation	66
Node Management	68
License Management	68
Diagnostic Logs	69
Authenticate User (Login Command)	70
Release Credential (Logout Command)	72
Run Command CLI	72
Changing the Password	73
Resetting the Password	73
Getting the Security Banner	73
Setting the Security Banner	74
Getting the Number of Failed Login Attempts	74

Network CLI Commands	74
Adding Network Configurations	75
Deleting Network Configurations	76
Displaying Network Configurations	77
Backing Up the Current Network Configuration	77
Restoring a Network Configuration	77
Displaying System Network Configuration	78
Listing Network Interfaces	78
Adding Throttle on the Source System	78
Deleting Throttle on the Source System	78
Listing Throttle States	79
Setting Host and Domain Names and the DNS Search Path	79
Editing the Network Configuration	79
Adding a Static Route	80
Deleting a Route From the System of Network Device	81
Listing Static Routes	81
Deprecated Network CLI Commands	81
Netcfg Configuration Examples	82

Path To Tape CLI Commands	92
Listing the Path to Tape Initiator	92
Listing the Path to Tape Ports	92
Adding a Backup User	92
Editing a Backup User	92
Deleting a Backup User	93
Deleting All Backup Users	93
Listing Backup Users	93
Listing Medium Changers	93
Listing Tape Drives	93
Scanning Devices	93
Using Medium Changers	93
Using Tape Drives	94

Date and Time CLI Commands	94
Getting the Date and Time	94
Setting the Date and Time	94
Displaying the NTP Server	94
Displaying the Time Zone	94

Status CLI Commands	95
Getting VTL Performance	95
Getting Tape Drive Status	95

Getting Storage Slot Status	95
Getting the VTL Logical View Status	95
Getting the Common Component Status	95
Getting Storage Array Status	96
Getting Hardware System Component Status	96
Getting System Board Status	96
Getting Network Port Status	96
Getting Detailed Storage Array Status	96
Getting System Memory Usage Statistics	96

Alert CLI Commands **97**

Deleting an Administration Alert	97
Deleting All Administration Alerts	97
Editing the Service Ticket Analysis	97
Listing the Administration Alerts	97
Listing the Service Tickets	97
Sending the Service Ticket Analysis	97
Showing the Service Ticket Analysis	98
Showing the Service Ticket Details	98
Closing All Service Tickets	98

Analyzer CLI Commands **98**

Analyzing the Network	98
Enabling or Disabling the NetServer to Perform a Network Analysis	98
Performing a Disk Analysis on the System	98
Displaying the NetServer Status	99
Displaying the Last Run Result of the Disk/Network Analysis	99

Health Check CLI Commands **99**

Starting a Health Check	99
Stopping a Health Check	99
Scheduling a Health Check	99
Listing the Health Check Status	100
Editing the Health Check	100
Getting the General Status of System Health Checks	100
Getting the Health Check Schedule	101

CLI Error Codes **102**

Introduction

The Command Line Interface (CLI) for DXi™-Series systems serves as a command line equivalent of the remote management functionality. This guide describes the CLI commands for DXi 2.1.1 Software, which is available for the following systems:

- DXi V1000
- DXi4000 Family
- DXi6500 Family
- DXi6700 Family
- DXi8500

Not all CLI commands are available for all DXi-Series systems, as noted below in the sections describing the CLI commands.

Note: Before you can login to the CLI User account, you must change the password on the **Security** page of the remote management console. For more information, see the *User's Guide* located on the Quick Reference and Documentation CD that came with your system.

Note: For more information about concepts and terms used in this guide, see the "System Description" chapter and the glossary of terms in the *User's Guide* located on the Quick Reference and Documentation CD that came with your system.

CLI Users

There are two local CLI user accounts to support the command line interface: a CLI admin user and a CLI viewer user. They are defined as **cliadmin** (CLI Administrator Account) and **cliviewer** (CLI Monitor Account), respectively. The passwords are the same as the CLI user names. The CLI users can also be enabled or disabled from the **Security** configuration page. By default, the two CLI user accounts are enabled.

The two CLI users use the SSH capability to log in to the DXi™ system. Both are confined to a restricted shell for security purposes. Only certain commands are allowed to run in the restricted shell. The CLI command (**syscli**) is available for both CLI users. In addition, a limited number of shell commands are available to both CLI users to support scripting such as **cat**, **cp**, **grep**, **ll**, **ls**, **mv**, **rm**, **vi**, and **wbinfo**. These commands are restricted so that they only work on files in the CLI user's home directory (see [Available Linux Commands](#) on page 2).

The **cliviewer** user has the ability to view or retrieve information and is not allowed to add, change, or delete any information. The **cliadmin** user has the same ability as **cliviewer** and in addition, has the privilege to add, change, or delete information. If the **cliviewer** user attempts to run any intrusive command

(such as **add**, **edit**, or **delete**) that changes any information in the system, an error will be returned.

Additional commands are available to the CLI admin user but not to the CLI viewer user. For example, the **ftp** command is available only to the CLI admin (see [Available Linux Commands](#) on page 2).

CLI Passwords or Authorized Keys

To remotely issue CLI commands via SSH, you must ensure that the **authorized_keys** file contains public keys that allow commands to be executed without requiring a login password. The **authorized_keys** file is located in the **/home/cliadmin/authorized_keys** file.

Available Linux Commands

The following commands are standard Linux commands that are available to the CLI users in their restricted shells. Display the help text to see syntax and usage information for a command. To display the help text, enter the **--help** option after the command name. For example, **cat --help** displays information about the **cat** command.

The following commands available to the CLI admin and CLI viewer users in their restricted shells:

- **cat** - Displays the contents of a file.
- **cp** - Copies a file.
- **grep** - Searches for a pattern in files.
- **ls** - Displays a list of files.
- **ll** - Displays a list of files with attributes.
- **mv** - Renames a file in the restricted shell.
- **rm** - Deletes files.
- **vi** - Opens a file for editing.
- **scp** - Copies files securely.
- **less** - displays text one screen at a time.
- **head** - displays first part of the file
- **tail** - display last part of the file

The following commands are available only to the CLI admin user:

- **ftp** - Transfers a file from the user's home directory to a remote system.
- **wbinfo** - Queries and returns information about Samba related operations on the system.

CLI Syntax Conventions

The CLI program is named **syscli**. It is usually invoked with parameters necessary to carry out a predefined task. The first parameter is usually a verb indicating the action to be performed and hence is called a command. A number of commands specify the command type (known as subcommand) or the object upon which the command will operate. The syntax of each CLI is listed in each section.

The syntax for all **syscli** commands falls into one of the following two formats:

- **syscli --cmd --option1 <value1> --option2 <value2> ...**
- **syscli --cmd subcmd --option1 <value1> --option2 <value2> ...**

where

- **cmd** can be: **list, add, edit, del, deleteall, ...**
- **subcmd** can be: **share, storageserver, lsu, ...**

The following are the syntax conventions for the tokens on the command line.

- All tokens prefixed with double dash "--" are defined as options.
- All tokens that have no double dash are defined as values of the preceding options.
- An option can be by itself or followed by a value.
- The first option is also known as the command. It is usually a verb such as **list, add, del, edit, ...**
- If the first option has a value, this value is also known as the object (or subcommand) upon which the command operates. The object is usually a noun such as **share, storageserver, ...**
- An option value specified within the angle brackets "< >" means it is to be replaced by an appropriate value. Without the angle brackets, the value is literal text and must be entered exactly as is. For example, the command
syscli --del share --name <share_name>
has two options **--del** and **--name**, one literal value, **share**, and one appropriate value, **<share_name>**.
- Options or values specified between square brackets "[]" are optional. If an option and/or value is not specified, the CLI provides a default value for it.
- The pipe character "|" indicates that only one of the possible option names or values must be specified. This is like an OR symbol.
- Options enclosed within parentheses "()" mean one or more instances of them must be specified. For example, the command
syscli --add sanclientgroup ... (--device <device_serial_number> --lun <desired_LUN>)
requires that one or more pairs of devices and luns must be specified.
- If a command requires a **--password** option and you do not specify it on the command line, the **syscli** program will prompt for the password and will not echo the response on screen for security purposes.

- Curly braces “{ }” in the syntax are used to group options and/or values together for readability. These characters should not be used when entering the commands.
- Option values separated by a comma “,” mean that one or more of the values can be specified.
- The option names and/or values may change in the final release version.

Finally, it should be noted that all options and values are defined as single tokens in the command line syntax. Thus if a provided value consists of multiple tokens, it must be quoted to prevent the shell from interpreting it as separate tokens. For example:

```
syscli --add share .... --desc 'This is a test share'
```

In addition, if a provided value contains characters that are special to the shell, these characters must be escaped correctly so that the shell treats them as regular characters. For example,

```
syscli --add share .... --desc Testing\!
```

Note: The shell used in the CLI user accounts is the **bash** shell. The set of special characters are the same characters that **bash** treats as special characters. Refer to the **bash** shell documentation (<http://www.gnu.org/software/bash/manual/bashref.html>) for the set of special characters interpreted by the shell. If you do not want the shell to interpret any special characters, use single quotes (').

Adding the CLI Directory to the Path

The **syscli** commands are located in the **/hurricane** directory. To make it easier to invoke the CLI commands, you should add this path to the user profile.

To do this, add the following line to the user profile:

```
PATH=$PATH:/hurricane; export $PATH
```

CLI Help Commands

The following help commands are available:

- Typing **syscli** alone will display a summary of help commands.
- Typing **syscli help** will show syntax for all **syscli** commands.
- Typing **syscli help NAS | VTL | OST | REPLICATION |...** will show syntax for all Network Attached Storage (NAS), VTL, Open Storage Technology (OST), replication, etc. commands respectively.

- Typing **syscli help --<cmd>** will show syntax for all commands named <cmd>. For example, **syscli help --list** shows all list commands, **syscli help --add** shows all --add commands.
- Typing **syscli help --<cmd> <subcmd>** will show detailed help for this specific command. For example, **syscli help --list nas** shows the complete help for the --list nas command.

CLI Special Options

Every command can accept these options:

- **--outfile <output_filename>**
- **--errfile [<error_filename>]**
- **--file <options_filename>**
- **--ws [<ws_server>[:<port>]**

The first two options are supported because the shell capability of redirecting the standard output and standard error using the ">" character is forbidden in the restricted shell.

CLI command options:

- **--outfile** specifies that the standard output will be saved to file <output_filename>.
- **--errfile** specifies that the standard error will be saved to file <error_filename>. If <error_filename> is not specified, it will be saved to the same <output_filename>.

The third option is supported to avoid the problem of quoting and/or escaping special characters. The option **--file** tells the program to open the file <options_filename> to read additional options, where each option (or each **option=value** pair if the option requires a value) is listed on a separate line. Blank lines or lines starting with "#" are ignored. For example, the command

syscli --add share --name abc --proto cifs

is functionally equivalent to any of the following commands:

1 syscli --file <myfile>

where <myfile> is a file containing the following:

```
--add=share
--name=abc
--proto=cifs
```

2 syscli --add share --file <file1>

where <file1> is a file containing the following:

```
--name=abc
--proto=cifs
```

3 `syscli --add share --file <file2> --proto cifs`

where `<file2>` is a file containing the following:

```
--name=abc
```

Syntax of Options File

The following are the syntax conventions for the options file:

- Command line options are processed from left to right. Thus any option in the file can be overridden by listing it again on the command line after the `--file` option. In example 3 above, the option-value pair `--barcode mybarcode` overrides the one specified in `file2` because it is processed after option `--file`.
- Spaces surrounding the options are insignificant. The following examples are equivalent:
 - `--name=abc`
 - `--name =abc`
- All characters that follow "=" are significant and are accepted as is, including space, tab, backslash, single or double quotes, or any other symbol. Because no characters are special, don't escape them. This rule is enforced so to support values that contain leading or trailing spaces/quotes such as in passwords. For example:

```
--password=abc
```

```
--password= abc
```

```
--password=a\!bc
```

```
--password="abc"
```

are all different passwords.

- The second password has four characters: space, a, b, and c.
- The third password has five characters: a, \, !, b, and c.
- The fourth password has five characters: ", a, b, c, and ".

CLI Exit Code

If the command runs to completion successfully, it returns an exit code of zero (0) along with the following message:

```
Command completed successfully.
```

If the command fails, it returns an exit code of one (1) along with a one line error message that summarizes the error. This error message is always prefixed with "ERROR: " and appended with an error code in parentheses. For example:

```
syscli --add share --proto cifs --name cifs1 --desc "For testing only"
```

```
.....
```

ERROR: CIFS server is disabled! (E1000011)

It can be seen that the error code is "E1000011" and the error message is "CIFS server is disabled!"

Note: Possible error codes are listed at the end of each major section below.

Web Services Support (Optional)

By default, each CLI is executed directly on the DXi system it is running. However, it is possible to send the command to another DXi system for execution and display the result on the local DXi system. The `syscli` program in DXi 2.0.1 Software has the capability of running the command remotely using Web Services WSDL protocol version 2.0, provided that the remote DXi system is also running DXi 2.0.1 Software as well.

Starting with DXi 2.0 Software, every DXi system runs a Web Services (WS) server (specifically, axis2 server), which listens at port 9090 for all Web Services requests from WS clients and then sends the result back to the clients.

Note: It is strongly recommended that all CLI commands not be run in Web Services mode when both the server and the client are on the same system. It is much faster to run the commands directly without using Web Services. Running a CLI command over Web Services protocol is a complex process involving two distinct programs (client-server) and network communication, thus having more points for failure.

Web Services Syntax

To use Web Services for any CLI, one has to specify an additional option as follows:

```
syscli --<cmd> <subcmd> . . . . . --ws [<ws_server>[:<port>]]
```

where:

- **ws_server** is the hostname or IP address of the system that runs the WS server. If not specified, it is assumed to be **localhost**.
- **port** is the port number to which the server is listening for client requests. If not specified, it is assumed to be port 9090.

The presence of the `--ws` option makes the `syscli` program work in client-server mode; it will not execute the command on the local DXi system anymore. Rather, it will send the command to the axis2 server on the specified remote system. This server will then invoke the `syscli` program on the system it is running to execute the requested command and then send the result back to the `syscli` client to display.

To get more help on Web Services, type "`syscli help ws`".

Example: The following commands are equivalent:

- `syscli --list share ... --ws`

- `syscli --list share ... --ws localhost:9090`
- `syscli --list share ... --ws localhost`
- `syscli --list share ... --ws :9090`

Web Services Session

For security reasons the WS server cannot allow an arbitrary client to send commands to it for execution. Before a client can execute any command, it has to log in the WS server first in order to begin a WS session. If the login is successful, the server will send back a credential token (an encrypted string). The client has to include this credential token in all subsequent WS commands that it sends to the server for execution. When the client is done with its commands, it can log out the server. If the client is idle for more than 30 minutes, the server automatically terminates the session. This time-out value can be overridden in the login command.

Sample Web Services Session

A Web Services session begins when the user logs in successfully and terminates when the user logs out (releases credential), or when the session is idle for 30 minutes.

During the session:

- Any CLI commands specified with the `--ws` option will be executed on the axis2 server.
- Any CLI commands without the `--ws` option will be executed directly as usual (i.e, not via Web Services).

Logging in to Start a Web Services Session

```
syscli --authenticate --name <username> --password <password> --client  
<client_info> --ws [<host>:[<port>]]
```

Use this CLI command to start a Web Services session. If the password is not specified, the system will prompt for it interactively. In this case, the password is not echoed on screen.

Running CLI Commands

After login, each subsequent command, uses the term `--list share`, which can be used as follows:

```
syscli --list share [--credtoken <credential_token>] --ws [<host>:[<port>]]
```

Note that the syntax of running a CLI command over Web Services is unchanged, except that it must have a mandatory option `--ws` and an optional option `--credtoken`. Here, `credential_token` is the value returned in the output of the `authenticate` command. The `--credtoken` can be specified explicitly or omitted because the `syscli` program is smart enough to cache the credential token in the `authenticate` command for subsequent use.

Logging Out

```
syscli --release credential [--credtoken <credential_token>] --ws  
[<host>:[<port>]]
```

Note again that the credential token can be omitted because the syscli program can use the cached value.

Supported Web Services Commands

The DXi 2.0.1 Software release supports about 20 Web Services commands, also known as “operations” in the areas of Replication, NAS, and System Utilities. To see a complete list, one can type the following URL in a browser:

```
http://<hostname_or_ipaddress_of_DXi_system>:9090/axis2/services
```

The output is as follows (with the equivalent syscli commands listed in parentheses):

WSReplication Service

Available Operations:

- disableNASReplication (syscli -disablerep nas)
- enableNASReplication (syscli -enablerep nas)
- addReplicationSource (syscli -add sourcerep)
- deleteReplicationTarget (syscli -del targetrep)
- addReplicationTarget (syscli -add targetrep)
- deleteReplicationSource (syscli -del sourcerep)

WSNas Service

Available Operations:

- deleteAllShares (syscli -deleteall share)
- getShare (syscli -get share)
- updateShare (syscli -edit share)
- deleteShare (syscli -del share)
- getShares (syscli -list share)
- getShareNames (syscli -list sharename)
- getShareCount (syscli -getcount share)
- addShare (syscli -add share)

WSSystem Service (System Utility)

Available Operations:

- runCommand (syscli -runcmd)
- getPermissions (syscli -get permission)
- releaseCredential (syscli -release credential)
- authenticate (syscli -authenticate)

How to Run Unsupported Web Services Commands

The vast majority of CLI commands are not supported to run over Web Services in DXi 2.0.1 Software. However, they can be run over WS via the command **syscli --runcmd** because this command is supported for execution over Web Services.

Consider the command **--list healthcheckstatus**, which is not supported in Web Services. To understand how it can be run over Web Services, one needs to understand how the **runcmd** CLI works.

The **runcmd** CLI is very simple. Any CLI command can run directly as is, such as the following command:

```
syscli --list healthcheckstatus
```

However, the command can be run indirectly by specifying it as options to the **runcmd** CLI as follows:

```
syscli --runcmd --list healthcheckstatus
```

The syntax above runs the **runcmd** CLI, which then parses the options specified after the “**--runcmd**” token. Based on these options, the **runcmd** CLI invokes the appropriate system API to execute. In the end the effect is executing the **--list healthcheckstatus** command.

Because the **runcmd** CLI is supported over Web Services, it can accept the **--ws** option to send the command to a WS server for execution as follows:

```
syscli --runcmd --list healthcheckstatus --ws [<remotehost>[:<port>]]
```

Documentation of Web Services Commands

Because Web Services commands and regular CLI commands differ only in the additional options **--ws** and **--credtoken**, there is no need to document WS commands separately. The option **--credtoken** is optional and can be ignored because **syscli** can use the cached value.

VTL Configuration CLI Commands

The following sections describe the supported VTL CLI commands:

Note: VTL configuration CLI commands are available only on the DXi6700 and DXi8500 systems.

- [Listing Existing VTL and Its Attributes](#)
- [Listing Available Library Models](#)
- [Listing of Supported Tape Drive](#)
- [Adding a VTL](#)
- [Editing a VTL](#)
- [Deleting a VTL](#)
- [Listing the Media Types](#)

- [Creating Media](#)
- [Listing the Media and Attributes](#)
- [Media Actions](#)
- [Deleting All Media](#)
- [Turning a VTL Online/Offline](#)
- [Listing Available Hosts](#)
- [Adding a Host](#)
- [Editing a Host](#)
- [Deleting a Host](#)
- [Listing Targets](#)
- [Listing Devices](#)
- [Listing the SAN Client Group](#)
- [Adding a SAN Clients Group](#)
- [Deleting a SAN Client Group](#)
- [Listing VTL Storage Locations and Index](#)
- [Moving Media](#)
- [Unloading Media](#)
- [Resetting the VTL Target Ports](#)

Listing Existing VTL and Its Attributes

```
syscli --list vtl [--name <VTL_name>]]
```

This CLI command allows the CLI admin to display a list of all existing VTLs on the system and their attributes when no partition name is specified. If a VTL name is specified, only that VTL is listed with its attributes. The attribute list includes the name of the VTL, mode, library model, drive model type, number of drives, number of media, number of slots, serial number, data deduplication status (enabled/disabled) and backup window status (enabled/disabled). If the backup window status is enabled, the list will also include the start and end time of the backup window.

An example output for a VTL named **myvtl** is shown below:

```
List of all existing VTL's:
```

```
Total count = 1
```

```
[vtl = 1]
```

```
name = myvtl
```

```
mode = offline
```

```
model = DXi6700
```

```
drivemodel = QUANTUMDLTS4
```

```
drives = 2
```

```
media = 2
```

```
slots = 12  
serial = 123456XYZ  
dedup = enabled  
backupwindow = disabled
```

Listing Available Library Models

syscli --list library

This CLI command allows the CLI admin to display a list of the available library models. Specific library model or product ID is required when adding or creating a new partition.

An example output of three supported library models is shown below:

List of all available library models:

```
Total count = 1  
[library = 1]  
    productid = DL1500  
    description = EMC Disk Library  
[library = 2]  
    productid = Scalar 100  
    description = ADIC Scalar 100  
[library = 3]  
    productid = Scalar i2000  
    description = ADIC Scalar i2000
```

Listing of Supported Tape Drive

syscli --list drive

This CLI command allows the CLI admin to display a list of the available virtual tape drive models. A specific virtual tape drive model is required when adding or creating a new partition.

An example output of two tape drive is shown below:

List of all available drive models:

```
Total count = 2  
[drive = 1]  
    model = QUANTUMDLTS4  
    description = Quantum DLT S4  
[drive = 2]  
    model = QUANTUMSDLT320  
    description = Quantum SDLT 320
```

Adding a VTL

```
syscli --add vtl --name <vtlname> --model <modelname> --slots  
<number_of_slots> --drivemodel <tape_drive_model> --drives  
<number_of_drives> [--dedup]
```

This CLI command allows the CLI admin to add a partition. The following partition settings are required:

- **--name <vtlname>**: The virtual library name, *vtlname*, must be alphanumeric, and it must begin with a letter.
- **--model <modelname>**: The library model name, *modelname*, is the VTL model to create. A list of supported library models can be retrieved using the **--list library** command.
- **--slots <number_of_slots>**: One I/E slot will be created for each storage slot, until maximum of 240 I/E slots exist.
- **--drivemodel <tape_drive_model>**: The drive model to create for this VTL. A list of supported drives can be retrieved using the **--list drive** command.
- **--drives <number_of_drives>**: The number of virtual tape drives attached to the VTL.
- **--dedup**: Enables deduplication. By default, VTL will be created with deduplication disabled.

Optionally, the user can specify whether to enable data deduplication and enable backup window. Once the partition is created, the data deduplication state cannot be changed. The backup window start and end time can be specified if the data deduplication is specified (enable).

The library model can be derived from the 'productid' value returned from the list of available library models.

Caution: Do not use an underscore (_) in the name of the VTL partition.

Editing a VTL

```
syscli --edit vtl --name <VTL_name> [--model <model_name>] [--slots  
<number_of_slots>] [--drives <number_of_drives>] [--startbackup  
<hh:mm> --endbackup <hh:mm>]
```

This CLI command allows the CLI admin to edit an existing partition. The VTL name is required to change any VTL setting. The VTL name and the tape drive model cannot be changed. Note: Data deduplication settings cannot be edited once the partition is created.

Caution: Do not use an underscore (_) in the name of the VTL partition.

Deleting a VTL

```
syscli --del vtl --name <VTL_name>
```

This CLI command allows the CLI admin to delete an existing VTL. The VTL name is required to delete an existing VTL. In order to delete a VTL, a VTL needs to be offline first and no media should be present in the VTL.

Listing the Media Types

`syscli --list mediatype --drivetype <drive_type>`

This CLI command allows the CLI admin to display a list of media types supported given a tape drive model. For example, for DLT-S4 drive model, media types SDLT1, SDLT2 and DLTS4 are supported and will be returned from this CLI. The drive type can be derived from the value of the 'model' key name of the list of available tape drives models.

An example output of three media types is shown below for DLT-S4 media types supported.

List of media types:

Total count = 3

[mediatype = 1]

type = SDLT1

capability = RW

[mediatype = 2]

type = SDLT2

capability = RW

[mediatype = 3]

type = DLTS4

capability = RW

Creating Media

`syscli --add media --name <VTL_name> --type <media_type> --media <number_of_media> --barcodestart <starting_barcode> --location slot | ieslot [--capacity <media capacity>]`

This CLI command allows the CLI admin to create a media for a defined VTL. Creating a media is necessary after a VTL is created. The following are required to create a media:

- VTL Name
- Media Type
- Number of media
- Starting barcode
- Initial location

The media type can be derived from the values returned from the **type** field name of the list of media supported for a given tape drive model CLI. Initial location can either be a slot or I/E slot.

The media capacity can optionally be specified. If media capacity is not specified, it defaults to the media type native capacity.

Listing the Media and Attributes

```
syscli --list media --name <VTL_name> [--barcode <barcode>]
```

This CLI command allows the CLI admin to display a list of barcodes in the system from the specified VTL name. When a barcode of the cartridge is specified, this CLI returns the attributes of the single cartridge specified if it exists. An example output of two media from VTL **MyVTL** is shown below.

List of media:

```
Total count = 2
```

```
[media = 1]
```

```
  vtl = MyVTL  
  barcode = SDL101  
  type = SDLT-S4  
  access = scratch  
  pool = application  
  used = 0.0  
  capacity = 800.0
```

```
[media = 2]
```

```
  vtl = MyVTL  
  barcode = SDL101  
  type = SDLT-S4  
  access = scratch  
  pool = application  
  used = 0.0  
  capacity = 800.0
```

Media Actions

```
syscli --del media --barcode <barcode> --name <VTL_name>
```

```
syscli --export media (--barcode <barcode>) | --all --name <VTL_name>
```

```
syscli --recycle media (--barcode <barcode>) | --all --name <VTL_name>
```

```
syscli --writeprot media (--barcode <barcode>) | --all --name <VTL_name>  
[--disable]
```

```
syscli --import media (--barcode <barcode>) | --all --name <VTL_name>
```

This CLI command allows the admin user, given a specified media barcode(s) and its VTL name, to change the state of a tape to deleted, exported, recycled, write-protected or import media using this CLI. Multiple barcodes can be specified on the command that supports it. This is specified in the syntax with "()" which means one or more. Alternatively, if the **--all** option is specified, then all the media in the specified VTL is used for the operation.

To disable the write-protect on a media, the **--disable** option must be specified in the **--writeprot media** command.

Deleting All Media

```
syscli --deleteall media --name <VTL_name> [--sure]
```

This CLI command allows the admin user to delete all media in the specified VTL. If the `--sure` option is specified, no confirmation prompt is displayed. Note that ***UNASSIGNED** must be used for `<VTL_name>`.

Turning a VTL Online/ Offline

```
syscli --online vtl (--name <VTL_name>) | --all
```

This CLI command allows the admin to turn a VTL online.

```
syscli --offline vtl (--name <VTL_name>) | --all
```

This CLI command allows the admin to turn a VTL offline. A VTL needs to be offline before you can edit or delete a partition.

Listing Available Hosts

```
syscli --list host
```

This CLI command allows the CLI admin to display a list of available hosts. The WWPN, its alias (if it was added by the user) and connection status are returned for each host. If the host alias was not added initially, the output will indicate that no alias was given.

An example output of a host with no alias given is shown below.

List of available hosts:

```
Total count = 1
```

```
[host = 1]
```

```
    wwpn = 220100e08ba8338d
```

```
    alias = null
```

```
    connection status = active
```

Adding a Host

```
syscli --add host -wwpn <host_world_wide_port_name> --alias  
<host_alias>
```

This CLI command allows the CLI admin to add a host to the available host list. The required parameters are the host's world wide port name (WWPN) and alias. If the host already exists from the list of available hosts, adding the same host will return an error.

Editing a Host

```
syscli --edit host --wwpn <host_world_wide_port_name> --alias  
<host_alias>
```

This CLI command allows the CLI admin to add or change the host alias of a host. The required parameter are the existing host's world wide port name (WWPN) and alias.

Deleting a Host

syscli --del host --wwpn <host_world_wide_port_name>

This CLI command allows the CLI admin to delete an existing host from available host list. The required parameter is the host's WWPN. The host must be inactive to delete it.

Listing Targets

syscli --list target

This CLI command allows the CLI admin to display a list of targets on the system. It lists the node, alias (FC port) and the WWPN. An example output of a target is given below.

List of targets:

Total count = 1

[target = 1]

node = 1

alias = FC3

wwpn = 214108001bc08278

Listing Devices

syscli --list device --name <VTL_name>

This CLI command allows the CLI admin to display a list of devices on the system. The list includes the type of device (VMC or VTD), serial number of the device and the virtual tape library name the device is in. An example output of devices on the system is shown below.

List of devices:

Total count = 3

[device = 1]

vtl name = MyVTL

type = VMC

serial = VL01SV0825BVA04501

[device = 2]

vtl name = MyVTL

type = VTD

serial = VL01SV0825BVA04501

[device = 3]

vtl name = MyVTL

type = VTD

serial = VL01SV0825BVA04501

Listing the SAN Client Group

syscli --list sanclientgroup [--vtlname <VTL_name>]

This CLI command allows the CLI admin to display a list of existing SAN client group(s) on the system. The list returned contains the virtual tape library name, group name, host, target and devices associated with the group. If a virtual library name is specified, this CLI lists only the group associated with the virtual tape library.

An example output of a SAN client group is shown below.

List of SAN client groups:

Total count = 1

[group = 1]

vtl name = MyVTL

group name = Group1

host =

target =

total device count = 2

[device = 1]

type = VMC

serial = VL01SV0825BVA04501

lun = 1

[device = 2]

type = VTD

serial = VL01SV0825BVA04501

lun = 2

Adding a SAN Clients Group

syscli --add sanclientgroup --name <VTL_name> --groupname <group_name> --wwpn <world_wide_port_name> --target <target> (--device <device_serial_number> --lun <desired_LUN>) [--useccl]

This CLI command allows the CLI admin to add a host access group. The following are required to create a host access group.

- Group Name
- VTL Name
- Host Name or WWPN
- Target (FC Port)
- List of device serial numbers (either VMC or VTD) and the desired host LUNs. There should at least be one device and LUN specified.

The WWPN can be derived from the values returned for **wwpn** field name of the list of host CLI. The Target can be derived from the value returned for **wwpn** field name of the list of targets CLI. The List of device serial number can be derived from the 'serial' field name of the list of devices of the VTL specified.

If the `--useccl` option is specified, the Command and Control LUN feature is enabled.

Note: The CCL (Command and Control LUN) is not used in most environments. This option is recommended for host access groups that contain an HP-UX host. It can also be used if hosts that are not assigned to any host access group exist in the SAN. The CCL is accessible to hosts only through LUN 0.

Caution: If you are not sure if you should use CCL, contact Quantum Customer Support before you enable this option.

Deleting a SAN Client Group

```
syscli --del sanclientgroup --name <VTL_name> --groupname <group_name>
```

This CLI command allows the CLI admin to delete a SAN client group given the required VTL name and the group name.

Listing VTL Storage Locations and Index

```
syscli --list vtlstorage --name <VTL_name> --loc source | dest [--type drive | slot | ieslot]
```

This CLI command allows the CLI admin to list the source and destination storage locations. This is useful to determine the locations to move or unload media command. If the `--type` option is specified, only locations of the specified type is listed.

Below is a sample output of this CLI with a VTL name and destination location specified:

```
syscli --list vtlstorage --name VTL1 --loc dest
```

Output data:

List of VTL storage locations:

Total count = 4

[storage location = 1]

location type = I/E Slot

index = 0

drive serial number = N/A

barcode = N/A

writeprotect = disabled

access = N/A

used = N/A

[storage location = 2]

location type = I/E Slot

```
index = 1
drive serial number = N/A
barcode = N/A
writeprotect = disabled
access = N/A
used = N/A
[storage location = 3]
location type = I/E Slot
index = 2
drive serial number = N/A
barcode = N/A
writeprotect = disabled
access = N/A
used = N/A
[storage location = 4]
location type = I/E Slot
index = 3
drive serial number = N/A
barcode = N/A
writeprotect = disabled
access = N/A
used = N/A
```

Moving Media

```
syscli --move media --name <VTL_name> --srctype slot | drive | ieslot
--desttype slot | drive | ieslot --srcindex <source_index> --destindex
<destination_index> [--forceunload]
```

This CLI allows the admin user to move media between virtual storage locations. The media is moved from the specified source type and index location to the specified type and index destination location. The location type and index can be determined from the output of the **--list vtlstorage** command. The **--forceunload** optional parameter refers only to virtual drive source location.

Unloading Media

```
syscli --unload media (--barcode <media_barcode>) | { --loctype drive |
ieslot --index <index_location> } [--forceunload]
```

This CLI allows the admin user to unload media from virtual drive or import/export virtual storage location specified by the barcode or the type and index location. There may be one or more barcode specified to unload multiple media. The option **--forceunload** refers to a virtual drive source location.

Resetting the VTL Target Ports

`syscli --reset targetport [--name <portname>] [--sure]`

This CLI allows the admin user to reset all or individual VTL target ports.

CLI command options:

- **--reset** - Resets one or more VTL target ports.
- **--name** - Port name. Can be specified repeatedly for additional ports. If no port is specified, all ports will be reset.
- **--sure** - if specified, the command will execute immediately without asking for confirmation.

NAS Configuration CLI Commands

The following sections describe the supported NAS configuration CLI commands:

- [Listing the Existing NAS Share and Attributes](#)
- [Listing of Existing NAS Share Names](#)
- [Getting the Total NAS Share Count](#)
- [Adding a NAS Share](#)
- [Editing a NAS Share](#)
- [Enabling Allowlinks on a NAS Share](#)
- [Deleting a NAS Share](#)
- [Deleting All NAS Shares](#)
- [Joining or Disjoining a Windows Domain](#)
- [Workgroup Users](#)
- [Share Administrators](#)
- [CIFS Share Access Control](#)
- [NFS Share Access Control](#)
- [Getting NFS Share Settings](#)
- [Changing NFS Share Settings](#)
- [Query Status of a NAS Service](#)
- [Querying the CIFS Settings](#)
- [Setting the CIFS Settings](#)
- [Commit NFS Synchronously](#)
- [Commit NFS Asynchronously](#)

Listing the Existing NAS Share and Attributes

```
syscli --list share [--proto cifs|nfs] | [--name <share name>] [--namematch <pattern>]
```

This CLI command provides a list of all existing NAS shares on the system and their attributes. The list can be limited to the type of protocol if **--proto** is specified. If **--name** is specified, only the attributes of that share are listed.

CLI command options:

- **--list**: Lists all NAS shares.
- * **--namematch**: If specified, only shares whose names match the specified pattern are listed. The wild characters **^** and **\$** are supported as follows:
 - **^xxx** – matching pattern xxx at the start of names
 - **xxx\$** – matching pattern xxx at the end of names

Remember to escape **\$** with a backslash because it is special to the shell. For example, to list all shares ending with **test** in the names, type the following:
syscli --list sharename --namematch test\$

Note: Option marked with (*) means not supported in Web Services.

Listing of Existing NAS Share Names

```
syscli --list sharename [--proto cifs|nfs] [--namematch <pattern>]
```

This CLI lists all share names for both CIFS and NFS. If **--proto** is specified, only names of shares associated with the specified protocol will be listed.

CLI command options:

- **--proto**: If specified, limits the listing to the specified protocol.
- **--namematch**: If specified, only shares whose names match the specified pattern are listed.

The wild characters **^** and **\$** are supported as follows:

- **^xxx** — matching pattern xxx at the start of names
- **xxx\$** — matching pattern xxx at the end of names

Remember to escape **\$** with a backslash because it is special to the shell. For example, to list all shares ending with **test** in the names, type the following command: **syscli --list sharename --namematch test\$**

Alternately, you can list a single share with the following CLI command:

```
syscli --get share --name <sharename>
```

Getting the Total NAS Share Count

```
syscli --getcount share [--proto cifs|nfs] [--namematch <pattern>]
```

This CLI displays the total count of NAS shares defined in the system.

CLI command options:

- **--proto**: If specified, displays the count for this protocol only.
- **--namematch**: If specified, only shares whose names match the specified pattern are counted.

The wild characters `^` and `$` are supported as follows:

- `^xxx` – Matching pattern `xxx` at the start of names
- `xxx$` – Matching pattern `xxx` at the end of names

Remember to escape `$` with a backslash because it is special to the shell. For example, to count all shares ending with `test` in the names, type the following command: `syscli --getcount share --namematch test\$`

Adding a NAS Share

```
syscli --add share (--name <sharename> --proto {cifs|nfs} [--desc  
<description>] [--ro] [--dedup] [--hidden] [--namecase lower|default] [--  
anonuid <anonymous_uid>] [--anongid <anonymous_gid>])
```

This CLI command allows the admin user to add one or more NAS shares. To add more than one share, repeat the same set of options noting that all mandatory options must be re-specified even if they are unchanged.

For example, to add three shares:

```
syscli --add share --name share1 --proto cifs \ --name share2 --proto cifs --ro  
--name share3 --proto nfs
```

CLI command options:

- **--add**: Adds one or more NAS shares. Option **--hidden** does not apply to NFS shares.
- **--name**: sharename: must be alphanumeric character.
- **--proto**: Network file sharing protocol (currently CIFS and NFS are supported)
- **--desc**: Optional description for the share.
- **--ro**: if specified, share is read-only. Otherwise, share is read-write.
- **--dedup**: if specified, dedup will be enabled (this attribute cannot be changed after share is created)
- **--hidden**: if specified, share name will not be displayed in the browser (applicable to CIFS shares only)
- **--namecase**: Client file/directory names are to be stored in storage in the specified character case (applicable to CIFS shares only). If this option is not specified or is specified with **default**, client file/directory names are treated as case-insensitive and case-preserved, that is, file/directory names will be saved in the original character case as is, and all search will be performed in a case-insensitive manner. If specified with **lower**, all incoming client file/directory names will be converted to lower case before saving or searching.
- **--anonuid**: Anonymous user id (for NFS only), usually 4294967294 on 32-bit systems or 65534 on 16-bit systems. If not specified, default to 4294967294
- **--anongid**: Anonymous group id (for NFS only), usually 4294967294 on 32-bit systems or 65534 on 16-bit systems. If not specified, default to 4294967294

Editing a NAS Share

```
syscli --edit share --name <sharename> [--desc <description>] [--perms  
rw|ro [--restart]] [--hidden false|true] [--anonuid <anonymous_uid>] [--  
anongid <anonymous_gid>] [--namecase default [--sure]]
```

This CLI command allows the admin user to modify one or more attributes of a NAS share such as description, permissions, hidden (CIFS only), etc. Although the syntax says all attributes are optional, at least one attribute must be specified.

Notes on the **--restart** option:

This option is applicable to CIFS shares only; it is ignored on NFS shares. If a CIFS share's permissions are changed, users who are currently logged on the share will not see the change until they log off and log in again, or CIFS service is restarted.

The admin user can choose to restart CIFS service by specifying the **--restart** option. If CIFS service is restarted, users currently logged on to CIFS shares may experience disconnection and/or I/O disruption or backup jobs connected to all shares may fail I/O.

CLI command options:

- **--edit**: Edits one or more attributes of a NAS share.
- **--name: sharename**: must be alphanumeric character. Must begin with a letter.
- **--perms**: change permissions to read-write or read-only.
- **--restart**: applicable to CIFS share only. If specified, restart CIFS service. This can cause disruption to all users and all backup jobs.
- **--hidden: hidden**: true if share name is not browseable in the browser (for CIFS shares only).
- **--anonuid**: Anonymous user id (for NFS only), usually 4294967294 on 32-bit systems or 65534 on 16-bit systems.
- **--anongid**: Anonymous group id (for NFS only), usually 4294967294 on 32-bit systems or 65534 on 16-bit systems.
- **--namecase**: if specified, client file/directory names are treated as case-insensitive and case-preserved. This option makes a difference only for shares that were previously created with the option **--namecase lower**. Basically, it makes the share behave as if it had been created without the **--namecase** option. This option is useful in the following situation:
 - User creates a share using option **--namecase lower**.
 - Some files/directories with mixed case are somehow copied over to the share without using CIFS.
 - User can browse these files in browsers but cannot open, rename, move, copy, or delete.

In this case, to access them via CIFS, their names have to be changed to lower case, but this task is impossible to do over CIFS. One of the solutions is for users to use this edit command to revert name support to the default (case-insensitive and case-preserved).

After the **--namecase** option is executed successfully:

- Old file/directory names in the share remain unchanged.
- New file/directory names will be saved as is (case-preserved).
- File/directory search is performed in a case-insensitive manner.

Note: After the `--namecase` option is used, the share cannot be changed back to support lower case file/directory names.

Enabling Allowlinks on a NAS Share

`syscli --enable allowlinks [--share <sharename>] | --all`

This CLI allows the admin user to enable the allowlinks attribute of a single share or all shares.

By default, all shares are created with allowlinks attribute disabled. Once enabled, the allowlinks attribute cannot be disabled.

When the allowlinks attribute is enabled, the share supports symlink and hard link operations; otherwise, symlink and hard link operations are not supported.

Note: If symlink and hard link support is enabled (`--enable allowlinks`) for an NFS share, replication cannot be enabled for the share; likewise, if replication is enabled, symlink and hard link support is disabled.

CLI Command Options:

- `--enable`: Enables the allowlinks attribute of a given share or all shares.
- `--share`: if specified, name of the share to enable the allow-links attribute
- `--all`: if specified, enable the allowlinks attribute for all NAS shares.

Deleting a NAS Share

`syscli --del share (--name <share_name>)`

This CLI command allows the admin user to delete one or more existing NAS shares. The NAS share name is required to delete a share. When a share is deleted, all connections to the share are severed and all data stored on it is removed permanently.

Deleting All NAS Shares

`syscli --deleteall share [--proto {cifs|nfs}] [--namematch <pattern>] [--sure]`

This CLI command allows the admin user to delete all NAS shares. If `--proto` is specified, all shares of that protocol are deleted.

CLI command options:

- `--deleteall`: Deletes all existing NAS shares.
- `* --proto`: if specified, delete all shares of this type only.
- `* --namematch`: if specified, only shares whose names match the specified pattern will be deleted. The wild characters `^` and `$` are supported as follows:
 - `^xxx` – Matching pattern xxx at the start of names

- `xxx$` – Matching pattern `xxx` at the end of names

Remember to escape `$` with a backslash because it is special to the shell. For example, to delete all shares ending with `test` in the names, type the following command: `syscli --deleteall share --namematch test\$`

- `--sure`: If specified, the command will execute immediately without asking for confirmation.

Note: Option marked with (*) means not supported in Web Services.

Joining or Disjoining a Windows Domain

`syscli --join workgroup --name <workgroup name>`

`syscli --join ads --domain <domain name> [--org <organizational unit>] --admin <domain user authorized to join> [--password <domain user password>] [--pdc <primary domain controller>] [--prewin2kdomain <preWindows 2000 domain name>]`

`syscli --disjoin workgroup --name <workgroup name>`

`syscli --disjoin ads [--admin <domain user authorized to join> [--password <domain user password>]]`

This CLI command allows the admin user to join the Samba server to a Windows workgroup or a Windows Active Directory domain (ADS). If the server is already in the joined state, the CLI also provides the capability to disjoin the workgroup or the Active Directory domain.

Joining an Active Directory requires the name or IP address of a primary domain controller (PDC). However, if the `--pdc` option is not specified, the CLI will discover it automatically. The `--admin` option specifies the name of the domain user who is authorized to join the active directory domain. This domain user is the user defined in the ADS domain and is not necessarily the admin user. Thus the admin must supply this domain user credential in order to join the domain. The admin can choose not to supply the password on the command line. In this case the CLI prompts the admin for the password and will not echo his response for security purposes.

Note that the `disjoin ads` command no longer requires the user name and password; it always succeeds even if the username and/or password is wrong. The only difference is that the computer account in the AD server will be successfully disabled if both the username and password are correct, and will remain enabled otherwise. The new behavior of this command is needed to disjoin ADS for cases where the AD server is changed or the old admin user account is no longer valid.

CLI command options:

- `--join`: Joins CIFS server to a Windows Active Directory domain.
If `--password` is specified and `<admin_password>` is not, or if `--password` is omitted, it will be prompted interactively and the password is not echoed on screen.
- `--domain`: Active Directory domain name
- `--admin`: username of any account that has the right to join the domain.

- **--password**: if not specified, will be prompted interactively and the password is not echoed on screen.
- **--pdc**: host name or IP address of primary domain controller. If not specified, will search automatically.
- **--prewin2kdomain**: Normally, this option is omitted because the join command will query the ADS server for the pre-Windows 2000 domain name, A.K.A NetBIOS domain name.

This option is specified as a last resort when and only when the command fails because of wrong NetBIOS domain name. If specified, the specified name is used instead of querying the domain server/controller.

Pre-Windows 2000 Domain Name

The pre-Windows 2000 domain name is also known as the NetBIOS domain name, which is 15 characters or less. This name can be specified via the **--prewin2kdomain** option. Normally this option need not be specified because the join command can query the ADS server or domain controller to get the pre-Windows 2000 domain name.

However, the NetBIOS domain name is sometimes wrong (for example, longer than 15 characters), causing the join operation to fail. This can happen in an environment that has multiple domain controllers and some of them may be misconfigured. In this case one can try any of the following methods:

- Specify **--prewin2kdomain** explicitly in the join command.
- If the domain has more than one domain controllers, specify **--pdc** explicitly with the hostname or IP of each domain controller. If the domain controller returns the correct NetBIOS domain name, the join command will succeed. So be patient to try rerunning the command with one domain controller after another until the join command succeeds.

Workgroup Users

There are two types of users who are allowed access to CIFS shares depending on whether the system is joined to a workgroup or an Active Directory domain.

When the server is joined to a workgroup, only workgroup users can access CIFS shares, and the CLI provides the capabilities to manage them. Workgroup users are users who are both in the local Linux database and the Samba password database.

The following Workgroup Users control commands are available:

- [List of Workgroup Users](#)
- [Add a Workgroup User](#)
- [Edit a Workgroup User](#)
- [Delete a Workgroup User](#)
- [Delete All Workgroup Users](#)

List of Workgroup Users

```
syscli --list user [--name <username> |--namematch <pattern>]
```

This CLI command provides a list of workgroup users. If **--name** is specified, only those names that match the specified name are listed. If **--namematch** is specified, list only those names that match the specified pattern.

CLI command options:

- **--list**: Lists all workgroup users.
- **--name**: If specified, get information for the specified user name only.
- **--namematch**: If specified, only workgroup users whose names match the specified pattern will be listed.

Add a Workgroup User

```
syscli --add user --name <user name> [--password <user password [--desc <description>] [--admin]
```

This CLI command allows the admin user to add a workgroup user if the system is joined to a workgroup. A password is required when adding a workgroup user. If it is not passed as a command line option, the CLI will prompt the admin to enter the password and will not echo the response for security purposes. If the **--admin** option is specified, the user will be granted administrative rights.

Edit a Workgroup User

```
syscli --edit user --name <workgroup user name> [--password <user_password>] [--desc <description>] [--admin enabled|disabled]
```

This CLI command allows the admin user to modify the password, the description, or the admin attribute of an existing workgroup user. This works only when the system is joined to a workgroup. Note that at least one property must be specified: **password**, **description**, or **admin**.

Delete a Workgroup User

```
syscli --del user --name <workgroup_user_name>
```

This CLI command allows the admin user to delete an existing workgroup user if the system is joined to a workgroup. The user will no longer exist in the local Linux user database as well as Samba password database.

Delete All Workgroup Users

```
syscli --deleteall user [--sure]
```

This CLI command allows the admin user to delete all existing workgroup users. This command only works if the system is joined to a workgroup. If the **--sure** option is specified, no confirmation prompt will be displayed.

Share Administrators

When the server is joined to a Windows Active Directory domain, domain users are allowed to access CIFS shares but the CLI shall not provide the capabilities to manage them. To manage them the Windows domain admin, not necessarily the CLI admin, has to log in to the Windows server and use the Microsoft Management Console (MMC). The CLI merely provides a limited capability to grant share administrator privileges to certain domain users. A share administrator is a domain user or domain group that is granted the privilege of setting share permissions.

The following Share Administrators control commands are available:

- [List Share Administrators](#)
- [Add a Share Administrator](#)
- [Delete a Share Administrator](#)
- [Delete All Share Administrators](#)

List Share Administrators

syscli --list shareadmin

This CLI command allows the admin user to display a list of share administrators if the system is joined to an Active Directory domain.

An example output of administrators when the system is joined to a Windows domain is shown below.

```
Total count = 1
```

```
username 1 = QUANTUM-SQA\Domain Admins
```

Add a Share Administrator

syscli --add shareadmin --name <domain_user_or_group_name>

This CLI command allows the admin user to grant share admin privilege to an existing domain user/group if the system is joined to a Windows Active Directory domain. The option **--name** must be followed by the name of the domain user or domain group usually in the form:

<domain_name>\<user_or_group_name>

If the command is typed in a shell, the backslash has to be typed twice. For example, if the domain name is **quantum.com** and the user is **joe**, the command to be typed at the shell prompt reads as follows:

```
syscli --add shareadmin --name quantum\joe
```

Delete a Share Administrator

syscli --del shareadmin --name <domain_user_or_group_name>

This CLI command allows the admin user to remove the share admin rights from an existing share administrator. The syntax for the domain user/group name is the same as discussed in the command **--add shareadmin**. This command works only if the system is joined to an ADS domain.

Delete All Share Administrators

syscli --deleteall shareadmin [--sure]

This CLI command allows the admin user to remove the share admin rights from all domain users or groups that have previously been granted this privilege (that is, share administrators) except the built-in **domain admins** group. This command works only if the system is joined to an ADS domain. If the **--sure** option is specified, no confirmation prompt will be displayed.

CIFS Share Access Control

There are two types of users who are allowed access CIFS shares depending on whether the system is joined to a workgroup or a Windows domain.

When the server is joined to a workgroup, only workgroup users can access CIFS shares and the CLI shall provide the capabilities to manage them. Workgroup users are users who are both in the local Linux database and the Samba password database.

When the server is joined to a Windows domain, domain users are allowed to access CIFS shares but the CLI shall not provide the capabilities to manage them. To do this the Windows domain admin, not necessarily the CLI admin, has to log in the Windows server and uses the Microsoft Management Console (MMC). This CLI command merely provides a limited capability to grant share administrator privileges to certain domain users. A share administrator has the privilege of setting share permissions.

This CLI command applies when the system has joined a workgroup or a Windows Domain. Otherwise, this CLI command will return an error.

The following CIFS Access Control commands are available:

- [Listing Share Users](#)
- [Adding a Share User](#)
- [Deleting a Share User](#)
- [Deleting All Share Users](#)

Listing Share Users

syscli --list shareuser --share <share_name>

This CLI command allows the admin user to display a list all workgroup users that have access to the specified CIFS share. If the list is empty, it means all workgroup users are allowed read-write access to the specified share.

This command works only when the server is joined to a workgroup. If the server is joined to an Active Directory domain, please use the Microsoft Management Console (MMC) tool.

An example output of share users when the system is joined to a workgroup is shown below.

```
Total count = 1
[User = 1]
  Username = userone
  Access Rights = rw
```

Adding a Share User

```
syscli --add shareuser --share <CIFS_share_name> --user <username>
[--rw]
```

This CLI command allows the admin user to grant an existing workgroup user the right to access the specified CIFS share. By default the user has read-only access to the share. If the `--rw` option is specified, the user is allowed complete read-write access to the specified share. However, the effective access rights depend on the share access mode. If the share is read-only, all users can have read-only access regardless of their settings.

This command only works when the server is joined to a workgroup. If the server is joined to an Active Directory domain, complete management of user access can be done from the Microsoft Management Console (MMC) tool.

By default, a CIFS share is created with an empty initial share access list if the server is joined to a workgroup. When the share access list is empty, all workgroup users are allowed read-write access to it. This CLI command can be used to add a workgroup user to the share access list of the specified CIFS share. As soon as the share access list contains workgroup user names, only these users have access to the share.

Deleting a Share User

```
syscli --del shareuser --share <share_name> --user <username>
```

This CLI command allows the admin user to remove the right to access the specified CIFS share from a workgroup user. When the last workgroup user is deleted, the share access list of the specified share is empty, which means the share now allows read-write access to all workgroup users (see command `--add shareuser`).

This command works only when the server is joined to a workgroup. If the server is joined to an Active Directory domain, please use the Microsoft Management Console (MMC) tool.

Deleting All Share Users

```
syscli --deleteall shareuser --share <share_name> [--sure]
```

This CLI command allows the admin user to remove the right to access the specified CIFS share from all workgroup users. As a result, the share access list of the specified share is empty, which means the share now allows read-write access to all workgroup users (see command `--add shareuser`).

This command works only when the server is joined to a workgroup. If the server is joined to an Active Directory domain, please use the Microsoft Management Console (MMC) tool. If the `--sure` option is specified, no confirmation prompt will be displayed.

NFS Share Access Control

The following NFS Share Access control commands are available:

- [Listing a Share Host](#)
- [Adding a Share Host](#)
- [Deleting a Share Host](#)
- [Deleting All Share Hosts](#)

Listing a Share Host

```
syscli --list sharehost --share <share_name>
```

This CLI command allows the admin user to display a list all specific NFS hosts that are allowed access to a given NFS share. By default, if this list is empty, all NFS hosts are allowed read-write access to the share.

Adding a Share Host

```
syscli --add sharehost --share <NFS_share_name> --host  
<NFS_host_name> [--rw]
```

This CLI command allows the admin user to grant the right to access the specified NFS share to a given NFS host. By default the specified host has read-only access to the share. If `--rw` is specified, it has full read-write access to the share. However, the effective access right of the host depends on the share access mode. If the share is read-only (see the `--add share` command), all hosts specified in the share access list will effectively have read-only access regardless of their settings.

By default, an NFS share is created with an empty initial share access list. When the share access list is empty, all NFS hosts are allowed read-write access to it. This CLI command can be used to add an NFS host to the share access list of an NFS share. As soon as the share access list contains NFS host names, only these hosts have access to the share.

Deleting a Share Host

```
syscli --del sharehost --share <NFS_share_name> --host <NFS_host_name>
```

This CLI command allows the admin user to remove the right to access the specified NFS share from an NFS host. When the last NFS host is deleted, the share access list of the specified share is empty, which means the share now allows read-write access to all NFS hosts (see command `--add sharehost`).

Deleting All Share Hosts

```
syscli --deleteall sharehost --share <NFS_share_name> [--sure]
```

This CLI command allows the admin user to remove the right to access the specified NFS share from all NFS hosts. As a result, the share access list of the specified share is empty, which means the share now allows read-write access to all NFS hosts (see command `--add sharehost`). If the `--sure` option is specified, no confirmation prompt will be displayed.

Getting NFS Share Settings

```
syscli --get nfssetting --secure
```

This CLI command allows the admin user to display one or more NFS share settings.

CLI Command Options:

- `--get`: Gets a setting for all NFS shares
- `--secure`: Queries the "secure" setting.

Changing NFS Share Settings

```
syscli --set nfssetting { --secure yes|no }
```

This CLI command changes one or more NFS share settings.

CLI Command Options:

- `--set`: Changes a setting for all NFS shares
- `--secure`: A `yes` or `no` value means to change all NFS shares to using the secure or insecure option, respectively.

Query Status of a NAS Service

The following Query Status of a NAS Service control commands are available:

- [Query CIFS Service Status](#)
- [Query NFS Service Status](#)

Query CIFS Service Status

```
syscli --getstatus cifs
```

This CLI command allows the admin user to display the status of the CIFS service.

An example output of this command:

```
CIFS status = disabled (unconfigured)
```

Details:

```
NMB daemon not running
```

```
SMB daemon not running
```

Query NFS Service Status

syscli --getstatus nfs

This CLI command allows the admin user to display the status of the NFS service.

An example output of this command:

NFS status = running

Details:

NFS daemon running

MOUNT daemon (rpc.mountd) running

LOCK daemon (locked) running

STATUS daemon (rpc.statd) running

Querying the CIFS Settings

syscli --get smbsetting --oplocks | --dbglevel | --ldapsigning | --maxprocesses | --clientntlmv2auth | --serversigning | --all

CLI command options:

- **--oplocks**: queries various oplocks settings
- **--dbglevel**: queries the debug level setting in CIFS server
- **--ldapsigning**: queries the LDAP client signing setting ("client ldap sasl wrapping")
- **--maxprocesses**: queries the limit on the number of smbd processes ("max smbd processes")
- **--clientntlmv2auth**: queries the setting "client NTLMv2 auth".
- **--serversigning**: queries "server signing" setting.
- **--all**: queries all CIFS settings, both global settings and per-share settings.

Setting the CIFS Settings

syscli --set smbsetting { --oplocks disabled|enabled } | { --dbglevel <n> } | { --ldapsigning disabled|enabled } | { --maxprocesses <max_smbd_processes> } | { --clientntlmv2auth yes|no } | { --serversigning disabled|enabled }

CLI command options:

- **syscli --oplocks disabled|enabled**

This CLI command changes the kernel oplocks setting in CIFS. In a bad network environment the kernel oplocks setting should be disabled.

- **syscli --dbglevel <n>**

This CLI command changes the debug level to n where n is a nonnegative number. The higher the value, the more verbose the log files are. A value of zero gives minimum logging (for errors only).

- **syscli --ldapsigning disabled|enabled**

This CLI command enables or disables LDAP client signing. This setting must be enabled if and only if the LDAP server signing is enabled on the ADS server. Otherwise, it must be disabled. For more information on how to enable LDAP server signing on the ADS server, see Microsoft documentation at: <http://support.microsoft.com/kb/935834>

- **syscli --maxprocesses <max_smbd_processes>**

This CLI command changes the maximum number of smbd processes at any given time. By default, the limit is 100.

- **syscli --clientntlmv2auth yes|no**

This CLI changes "client NTLMv2 auth" setting to yes or no. By default, this setting is set to "yes" and must not be changed unless the domain group policy on the ADS is set to use the older NTLM (v1) exclusively.

- **syscli -- serversigning disabled|enabled**

This CLI Changes "server signing" setting to "disabled" (disabled) or "auto" (enabled).

Commit NFS Synchronously

syscli --nfscommit sync [--share <sharename>] | --all

This CLI command allows the admin user to set up NFS shares so that data are committed synchronously to NFS shares. When using the synchronous setting, all data that is to be written must be committed to physical storage, and all the data must be written to that storage before the system will accept **stable write** or **commit** commands. This ensures that when a backup completes all the data resides on disk. This setting can be altered through the CLI. The user can set up this property for one NFS share at a time or all NFS shares at the same time. By default, NFS shares are created to commit data synchronously.

NFS Commit is an NFSv3 client call to request the NFS server to commit cached data to stable storage. The server has two choices:

- Accelerated mode:** This option allows the NFS server to violate the NFS protocol and reply to commit requests before cached data is committed to stable storage. This mode improves I/O performance but may cause data inconsistencies in case of power failure or severe interruptions.
- Standard mode:** Honor the NFS commit calls truthfully by committing cached data to stable storage before responding to the clients. This mode guarantees data integrity in case of power failures or severe interruptions.

This CLI command sets up NFS server to run in **Standard mode**, with NFS commits synchronously between server and client.

Commit NFS Asynchronously

syscli --nfscommit async [--share <sharename>] | --all

This CLI command allows the admin user to set up NFS shares so that data are committed asynchronously to NFS shares. When using the asynchronous setting, the system will allow receipt of **stable write** or **commit** commands without having the data (and related metadata) fully written to disk. This mode allows backups to be completed faster (from the backup application point of view); however, there is the possibility of having an incomplete backup if the

system fails before all the data gets written to disk. The user can set up this property for one NFS share at a time or all NFS shares at the same time. By default, NFS shares are created to commit data synchronously until changed by this command.

This CLI command sets up NFS server to run in **Accelerated mode**, where NFS commit messages are acknowledged asynchronous after receipt.

Note: Mixed Linux NFS and VTL Traffic: Simultaneous inline deduplication of VTL or OST and Linux NFS traffic represents the mixing of a heavy, intensive IO payload with an out-of-order, *bursty*, and response sensitive protocol. The DXi 2.1 shares configuration should change from the default, and run asynchronous shares.

Replication CLI Commands

The following sections describe the supported replication CLI commands:

Note: VTL and cartridge based replication CLI commands are available only on DXi6700 and DXi8500 systems.

- [Initiating a Cartridge Based, File/Directory Based, or Namespace Replication](#)
- [Locking a VTL or NAS Share](#)
- [Unlocking a VTL or NAS Share](#)
- [Getting VTL or NAS Share Lock Status](#)
- [Initiating Source to Target Cartridge or File Synchronization](#)
- [Generating a Replication Report](#)
- [Listing the Allowed Replication Sources for the Target](#)
- [Adding a Source on a Target](#)
- [Deleting a Source on a Target](#)
- [Listing the Replication Targets for the Source](#)
- [Adding a Target on a Source](#)
- [Deleting a Target on the Source](#)
- [Enabling VTL Replication Options on the Source](#)
- [Disabling VTL Replication Options on the Source](#)
- [Enabling NAS Share Replication Options on the Source](#)
- [Disabling NAS Share Replication Options on the Source](#)
- [Checking Readiness on Source](#)
- [Aborting Replication of VTL or NAS](#)
- [Aborting Synchronization of VTL or NAS](#)
- [Pausing the Replication Service on the Source](#)

- [Resuming the Replication Service on the Source](#)
- [Enabling All Replication for Both VTL and NAS on the Source](#)
- [Disabling All Replication for Both VTL and NAS on the Source](#)
- [Clearing Replication Statistics](#)
- [Listing Deduplicated VTL on the Source](#)
- [Listing Deduplicated NAS on the Source](#)
- [Listing Replicated VTL on the Target](#)
- [Listing a Replicated NAS Share on the Target](#)
- [Recovering VTL on the Target](#)
- [Recovering a NAS Share on the Target](#)
- [Failback VTL To the Source from the Target System](#)
- [Failback a NAS Share on the Target](#)
- [Deleting a Replicated VTL from the Target](#)
- [Deleting a NAS Share on the Target](#)
- [Listing the Replicated VTL Recovery Jobs on the Target](#)
- [Listing the Replicated NAS Recovery Jobs on Target](#)
- [Deleting the Replicated VTL Recovery Jobs on the Target](#)
- [Deleting the Replicated NAS Recovery Jobs on Target](#)
- [Listing the Replicated VTL Failback Jobs on the Target](#)
- [Listing the Replicated NAS Failback Jobs on the Target](#)
- [Deleting the Replicated VTL Failback Jobs on the Target](#)
- [Deleting the Replicated NAS Failback Job on the Target](#)
- [Aborting the Replicated VTL Failback Jobs on the Target](#)
- [Aborting the Replicated NAS Failback Job on the Target](#)
- [Enabling the VTL Cartridge Based Replication on the Target](#)
- [Enabling NAS File/Directory Based Replication on the Target](#)
- [Disabling VTL Cartridge Based Replication on the Target](#)
- [Disabling NAS File/Directory Based Replication on the Target](#)
- [Downloading a Replication Report](#)
- [Getting the Status of Active Cartridge Base or File/Directory Request](#)
- [Getting the Status of the Active Synchronization Requests](#)
- [Listing the File/Directory-Based Replication Status and Statistics](#)
- [Listing the File/Directory-Based Replication Target Shares](#)
- [Listing the Cartridge Replication Status and Statistics](#)
- [Listing the VTL Cartridge Replication Status and Statistics](#)
- [Mapping an OST IP to a Replication IP](#)

- [Deleting an OST Target Mapping](#)
- [Getting an OST Target Mapping](#)

Initiating a Cartridge Based, File/Directory Based, or Namespace Replication

```
syscli --replicate vtl --name <VTL_name> --barcode <barcode> |  
--namespace [--disableok]
```

This CLI command allows the admin user to initiate a replication for a specified VTL. If the **--barcode** option is specified, only the cartridge with specified barcode on the specified VTL will have replication initiated. The VTL must have cartridge base replication enabled in order to replicate a cartridge. If the **--namespace** option is specified, namespace replication is initiated for the whole specified VTL. If the **--disableok** option is specified, no error will be returned if the cartridge base replication is not enabled.

```
syscli --replicate nas --name <NAS_share_name> [ --path  
<directory_path_or_filename_to_the_share> | --namespace ] [--disableok]
```

This CLI command allows the admin user to initiate a replication for NAS share or an individual directory or file on the specified NAS share. The share must have the file/directory based replication enabled in order to replicate a directory or a file. If the **--namespace** option is specified, namespace replication is initiated on the whole NAS share. If the **--disableok** option is specified, no error will be returned if the file/directory base replication is not enabled.

Locking a VTL or NAS Share

```
syscli --lock vtl --name <VTL_name> [--wait]
```

```
syscli --lock nas --name <NAS_share_name> [--wait]
```

This CLI command allows the admin user to lock or unlock the specified VTL or share on a replication target so that cartridge or file/directory based replication recovery requests are queued. No recovery will occur until the VTL or share is unlocked.

If the **--wait** option is not specified when locking, the CLI will not wait and will return right away if the VTL or share is already locked. If the **--wait** option is specified, this CLI command will wait if there is a lock in place and will return when the lock is obtained.

Unlocking a VTL or NAS Share

```
syscli --unlock vtl --name <VTL_name> [--force]
```

```
syscli --unlock nas --name <NAS_share_name> [--force]
```

This CLI command allows the admin user to unlock the specified VTL or share on a replication target that was locked from the previous lock CLI command.

If the **--force** option is specified, the lock will be forced to be unlocked on the VTL or share.

Getting VTL or NAS Share Lock Status

```
syscli --getstatus vtllock --name <VTL_name>
```

This CLI command allows the CLI admin to retrieve the status of the lock for the specified VTL.

syscli --getstatus naslock --name <NAS_share_name>

This CLI command allows the user to retrieve the status of the lock for the specified NAS share.

Initiating Source to Target Cartridge or File Synchronization

syscli --sync vtl --name <VTL_name>

This CLI command allows the CLI admin to initiate source to target cartridge synchronization for a specified VTL that has cartridge based replication enabled.

syscli --sync nas --name <NAS_share_name>

This CLI command allows the admin user to initiate source to target file or directory synchronization for specified NAS share that has file/directory based replication enabled.

Generating a Replication Report

syscli --genrpt replication

This CLI command allows the user to generate namespace and trigger based replication reports. The actual report can be retrieved using the remote GUI (under **Data Services > Replication > Reports**).

Listing the Allowed Replication Sources for the Target

syscli --list sourcerep

This CLI command lists the allowed replication source(s) IP or hostname for this system as a target.

Output data:

List of all allowed replication source IP for this system as a target:

```
Total count = 4
[sourcerep = 1]
  IP = 10.40.50.70
[sourcerep = 2]
  IP = 10.40.50.71
[sourcerep = 3]
  IP = 10.40.100.139
[sourcerep = 4]
  IP = 10.40.100.140
```

Adding a Source on a Target

syscli --add sourcerep --hostid <host_id>

This CLI command allows the admin user to add or specify the replication source IP or hostname of a source DXi system for this system as a target.

Deleting a Source on a Target

syscli --del sourcerep --hostid <host_id>

This CLI command allows the admin user to delete the given source IP or hostname as a replication source on this target system.

Listing the Replication Targets for the Source

syscli --list targetrep

This CLI command lists the target IP or hostname for this system as a source. If a replication target host has been configured, the CLI displays any available replication statistics.

Output data:

List of all allowed replication target IP for this system as a source:

TargetHost = 10.40.164.70

Encryption = Enabled

Adding a Target on a Source

syscli --add targetrep --hostid <host_id> [--encrypt [--encrypttype 128|256]] --sourceip <source_ip>

This CLI command allows the admin user to add or specify the replication target IP or hostname of a DXi system for this system as a source. Optionally, the admin user can specify whether to encrypt the data before replicating and sending to the target. The user must specify the replication target on this system before enabling replication for a NAS share.

Note: The target must be configured to receive replications from this source before you can add a replication target on this source. At least one VTL or share should exist on the target. If this is not the case, the user must log on to the target and run the CLI command **syscli --add sourcerep** to add the source system's IP or hostname to the target's list of replication sources.

CLI command options:

- **--add:** Adds a replication target IP or hostname this system will send replicated data to.
- **--hostid:** Must be a valid IP or hostname
- **--encrypt:** if specified, the encryption is enabled.
- **--encrypttype:** if specified, the encryption type will be either 128 bits or 256 bits encryption.
- **--sourceip:** In the Source IP Address field, enter the IP address that is used to uniquely identify the source DXi to the target. This may be different than the actual network IP address of the source DXi. If the target system is at DXi 2.1 Software or higher, this field is not required. If the target system is at DXi 2.0.1.x Software or below, then you must enter the IP address by which the target system recognizes the source system. The default value is 0.0.0.0.

Deleting a Target on the Source

```
syscli --del targetrep --hostid <host_id>
```

This CLI command allows the admin user to delete the given target IP or hostname as a replication target on this source system.

Enabling VTL Replication Options on the Source

```
syscli --enablerep vtl --name <vtl_name> [--daily <hh:mm>] | [--hourinterval 1|2|3|4|6|8|12 --starttime <hh>] [--cartbase] [--syncid <sync_id>]
```

This CLI command allows the admin user to enable replication of the specified VTL on the system as a source. The VTL name must be specified. Optionally, the daily replication time to start and/or stop the cartridge base replication can be specified. If **--daily** is specified, replication will occur on the time specified. If **--hourinterval** is specified, enable schedule replication for every given hour interval starting at the first hour specified by **--starttime**. This time must be specified in 24 hour <hh> format, e.g, 09 or 23. If the **--syncid** is not specified when **--cartbase** is specified, the default Sync ID is the same as the VTL name (similar to the GUI). If no optional parameter is specified, the replication is enabled without the daily or the cartridge base replication options set.

Note: The target system must have the corresponding partition configured with a Sync ID prior to configuring the source system partition (see).

Disabling VTL Replication Options on the Source

```
syscli --disablerep vtl --name <VTL_name> [--nodaily] [--nocartbase]
```

This CLI allows the CLI admin to disable the replication feature and its options on the specified VTL. If the **--daily** option is specified, the replicate daily option is disabled. If the **--cartbase** option is specified, the cartridge base replication option is disabled. If no option is specified, the whole replication is disabled for the specified VTL, including the daily and cartridge base replication options.

Enabling NAS Share Replication Options on the Source

```
syscli --enablerep nas --name <nas_share> [--daily <hh:mm>] | [--hourinterval 1|2|3|4|6|8|12 --starttime <hh>] [--filedirbase] [--syncid <sync_id>]
```

This CLI command allows the admin user to enable replication of the NAS share on the system as a source. The NAS share name must be specified. Optionally, the daily replication time to start and/or stop the file/directory base replication can be specified. If the **--daily** is specified, replication will occur on the time specified. If **--hourinterval** is specified, enable schedule replication for every given hour interval starting at the first hour is specified by **--starttime**. This time must be specified in 24 hour <hh> format, e.g, 09 or 23. If the **--syncid** is not specified when **--filedirbase** is specified, the default Sync ID is the same as the NAS share name (similar to the GUI). If no optional parameter is specified, the replication is enabled without the daily or the file/directory base options set.

Note: The target system must have the corresponding NAS share configured with a Sync ID prior to configuring the source system partition. Refer to [Enabling NAS File/Directory Based Replication on the Target](#) on page 49.

Disabling NAS Share Replication Options on the Source

syscli --disablerep nas --name <nas_share> [--nodaily] [--nofiledirbase]

This CLI command allows the admin user to disable the replication feature and its options on a NAS share. If the **--nodaily** option is specified, the replicate daily option is disabled. If the **--nofiledirbase** option is specified, the file/directory base replication option is disabled. If no option is specified, the whole replication is disabled for the specified NAS share, including the daily and file/directory base replication options.

Checking Readiness on Source

syscli --checkrepready nas --name <nas_share>

This CLI command allows the admin user to check and verify the status of the NAS share prior to replicating. The output will show the status of the NAS.

syscli --checkrepready vtl --name <vtl_name>

This CLI command allows the admin user to check and verify the status of the VTL prior to replicating. The output will show the status of the VTL.

Aborting Replication of VTL or NAS

syscli --abortrep vtl --name <VTL_name>

syscli --abortrep nas --name <NAS_share_name>

The CLI allows the admin user to abort the current replication of the VTL or NAS.

Aborting Synchronization of VTL or NAS

syscli --abortsync vtl --name <VTL_name>

syscli --abortsync nas --name <NAS_share_name>

The CLI allows the admin user to abort the current synchronization of the VTL or NAS.

Pausing the Replication Service on the Source

syscli --pause replication

The CLI allows the admin user to pause an active replication.

Resuming the Replication Service on the Source

syscli --resume replication

The CLI allows the admin user to resume the previous replication that was paused.

Enabling All Replication for Both VTL and NAS on the Source

syscli --enablerep all

This CLI command allows the admin user to enable the state of all replication for all deduplicated VTLs and shares

Disabling All Replication for Both VTL and NAS on the Source

syscli --disablerep all

This CLI command allows the admin user to disable the state of all the replication in the queue.

Clearing Replication Statistics

syscli --clear stats [--sent] [--received]

This CLI command allows the admin user to clear replication statistics. If the **--sent** option is specified, the sent replication statistics will be cleared. If the **--received** option is specified, the received replication statistics will be cleared.

Listing Deduplicated VTL on the Source

syscli --list dedupvtl

This CLI command allows the CLI admin to display a list of all the virtual tape libraries (VTLs) that have data deduplication enabled. Replication information is also listed if it applies. The list includes the VTL name, replication options (state schedule and/or syncid if any are se), last replication status (start, completion and status) and or last synchronization status (start, completion and status).

An example output of this is command:

```
Total count = 1
  [dedupvtl = 1]
    VTL name = test1
    replication state = Enabled
    replication schedule =
    replication sync id =
    last replication start = Thu Mar 5 11:02:03 2009
    last replication completion = Thu Mar 5 11:02:07 2009
    last replication status = Success
    last synchronization start =
    last synchronization completion =
    last synchronization status =
```

Listing Deduplicated NAS on the Source

syscli --list dedupnas [--name <sharename> |--namematch <pattern>]

This CLI command returns the list of deduped NAS shares on the source.

CLI command options:

- **--list**: Lists all deduped NAS shares on source.
- **--name**: if specified, lists info for this share only.
- **--namematch**: if specified, only shares whose names match the specified pattern are listed. The wild characters ^ and \$ are supported as follows:
 - ^xxx – matching pattern xxx at the start of names
 - xxx\$ – matching pattern xxx at the end of names

Remember to escape \$ with a backslash because it is special to the shell. For example, to list all shares ending with **test** in the names, type the following command: **syscli --list dedupnas --namematch test\\$**

Listing Replicated VTL on the Target

syscli --list repvtl

This CLI command allows the CLI admin to display a list of all the replicated virtual tape libraries (VTLs) that have been performed on the system as a target. The list includes the virtual tape library name, source hostname IP address, the replication status (i.e. start, completion and status).

An example output of this command:

List of all replicated VTL on the target.

Total count = 1

[replicated vtl = 1]

ID = 1

VTL Name = test1

Source Host = Galaxy3.node-1

Replication Started = Thu Mar 5 13:08:59 2009

Replication Finished = Thu Mar 5 13:08:59 2009

Replication Status = Success

Listing a Replicated NAS Share on the Target

syscli --list repnas

This CLI command allows the admin user to display a list of all the replicated NAS share(s) that have been performed on the target system. The list includes the NAS share name, source hostname IP address, the replication status (i.e. start, completion and status).

An example output of this command:

List of all replicated NAS share on the target:

Total count = 2

[replicated nas = 1]

ID = 1

NAS Share Name = nas_cifs1

```
Source Host = galaxy.quantum-est.com
Replication Started = Wed Jun 3 16:38:20 2009
Replication Finished = Wed Jun 3 16:38:30 2009
Replication Status = Success

[replicated nas = 2]

ID = 1
NAS Share Name = nas_nfs1
Source Host = galaxy.quantum-est.com
Replication Started = Wed Jun 3 16:38:03 2009
Replication Finished = Wed Jun 3 16:38:11 2009
Replication Status = Success
```

Recovering VTL on the Target

```
syscli --recover vtl --rename <replicated_VTL_name> --srchost
<source_hostname_or_IP_address> --id <ID_of_the_replicated_VTL>
[--rename <recovered_VTL_name >] [--submit]
```

This CLI command allows the CLI admin to recover and recreate the cartridges on the target system. The replicated VTL name, source hostname and ID can be retrieved from the list of replicated VTL. If the optional recovered VTL name is specified, it will be the new recovered VTL name on the target. Otherwise, the same replicated VTL name will be used as recovered VTL name on the target. If the **--submit** option is specified, it does not wait for the recover operation to complete.

The user must add tape drives and robot and map the devices before the VTL is accessible. If the partition contains media, the user will only be able to select the highest capacity tape drive for that media type. The original cartridge type is not retained during replication. For example, if the partition contains SDLT600 tape cartridges, you will only be able to select DLT-S4 tape drives when mapping devices to the recovered partition.

Recovering a NAS Share on the Target

```
syscli --recover nas --rename <replicated_NAS_share_name> --srchost
<source_hostname_or_IP_address> --id <ID_of_the_replicated_NAS>
[--rename <recovered_NAS_share_name>] [--owner <owner_user_id>]
[--submit]
```

This CLI command allows the admin user to recover and recreate the NAS share on the target system. The replicated NAS share name, source hostname and ID can be retrieved from the list of replicated NAS share. If the **--rename** option is specified, it is used as the NAS share name when the share is successfully recovered. Otherwise, the same replicated NAS share name will be used for the recovered share name on the target. The **--owner** option is mandatory if the share being recovered is a CIFS share. If the **--submit** option is specified, it does not wait for the recover operation to complete.

Failback VTL To the Source from the Target System

```
syscli --failback repvtl --repname <vtl_name> --srchost <source_host> --id <id> --tgthost <target_host> [--encrypt [--encrypttype 128|256]]
```

This CLI command allows the CLI admin to failback a replicated VTL. The replicated VTL name, source hostname and ID can be retrieved from the list of replicated VTL. The **--tgthost** option specifies the target host where the replicated VTL will be failed back to.

To complete the failback, on the specified target system, run the **--recover vtl** CLI command specifying the replicated VTL from the list of replicated VTL on the failback target host system.

Before a user can failback a VTL to its source, the target role IP address must be configured on the source system first.

If the **--encrypt** option is specified, it encrypts the failback to the failback target.

CLI command options:

- **--failback**: Failback replicated VTL on to a target host.
- **--repname**: Replicated VTL name to failback.
- **--srchost**: Source host of the original VTL. Use **--list repvtl** as reference
- **--id**: ID from list of replicated VTL. For multiple replication of the VTL name, ID identifies the replicated batch.
- **--tgthost**: Target host to failback to. The target host must have this system as as one of the allowed replication source. Use IP address if the hostname cannot be resolved from the system.
- **--encrypt**: Encrypt the failback to the source.
- **--encrypttype**: if specified, the encryption type will be either 128 bits or 256 bits encryption.

Failback a NAS Share on the Target

```
syscli --failback repnas --repname <nas_share_name> --srchost <source_host> --id <id> --tgthost <target_host> [--encrypt [--encrypttype 128|256]]
```

This CLI command allows the admin user to failback a replicated share to its specified source. The replicated NAS share name, source hostname and ID can be retrieved from the list of replicated NAS share. The **--tgthost** option specifies the target host where the replicated NAS share will be failed back to.

To complete the failback, on the source system, run the **--recover share** CLI command specifying the recovered share from the replicated share list and select Recover.

Before you can failback a share to its source, the target role IP address must be configured on the source system first.

CLI command options:

If the **--encrypt** option is specified, it encrypts the failback to the failback target.

- **--failback**: Failback replicated NAS share on to a target host.
- **--repname**: Replicated NAS share name to failback.

- **--srchost:** Source host of the original NAS share. Use **--list repnas** as reference.
- **--id:** ID from list of replicated NAS share. For multiple replication of the same share, ID identifies the replicated batch.
- **--tgthost:** Target host to failback to. The target host must have this system as one of the allowed replication source. Use IP address if the hostname cannot be resolved from the system.
- **--encrypt:** Encrypt the failback to the source.
- **--encrypttype:** if specified, the encryption type will be either 128 bits or 256 bits encryption.

Deleting a Replicated VTL from the Target

```
syscli --del repvtl --repname <replicated_VTL_name> --srchost  
<source_host> --id <ID>
```

This CLI command allows the CLI admin to delete a replicated VTL from the target system. The replicated VTL name, source hostname and ID can be retrieved from the list of replicated VTL.

Deleting a NAS Share on the Target

```
syscli --del repnas --repname <NAS_name> --srchost  
<source_hostname_or_IP_address> --id <ID_of_the_replicated_NAS>
```

This CLI command allows the admin user to delete a replicated NAS share from the target system. The replicated NAS share name, source hostname and ID can be retrieved from the list of replicated NAS share.

Listing the Replicated VTL Recovery Jobs on the Target

```
syscli --list vtlrecjob
```

This CLI command allows the user to list the replicated VTL recovery jobs on the target. The information listed includes the old and the new VTL name, source host name or IP address and recovery job details. The recover job details contains when the job started, finished and its status.

Output data:

List of all replicated VTL recovery jobs:

Total count = 1

[recovery job = 1]

ID = 1

Original VTL Name = VTL1

New VTL Name = VTL1_REC

Source Host = galaxy.node-1

Recovery Job Started = Mon Jun 1 11:22:17 2009

Recovery Job Finished = Mon Jun 1 11:22:43 2009

Recovery Job Status = Success

Listing the Replicated NAS Recovery Jobs on Target

syscli --list nasrecjob

This CLI command allows the user to list the replicated NAS recovery jobs on the target. The information listed includes the old and the new NAS share name, source host name or IP address and recovery job details. The recover job details contains when the job started, finished and its status.

Deleting the Replicated VTL Recovery Jobs on the Target

syscli --del vtlrecjob -rename <VTL_name> --srchost <source_hostname> --id <ID_of_the_recovery_job>

This CLI command allows the CLI admin to delete a replicated VTL recovery job. The replicated VTL name, source host name and the ID can be retrieved from the list VTL Recovery jobs.

Deleting the Replicated NAS Recovery Jobs on Target

syscli --del nasrecjob --rename <NAS_share_name> --srchost <source_hostname> --id <ID_of_the_recovery_job>

This CLI command allows the admin user to delete a replicated NAS recovery job. The replicated NAS share name, source host name and the ID can be retrieved from the list NAS Recovery jobs.

Listing the Replicated VTL Failback Jobs on the Target

syscli --list vtlfailbackjob

This CLI command allows the user to list the replicated VTL failback jobs on the target. The information listed includes the VTL name, source host name or IP address and failback job details. The failback job details contains when the job started, finished and its status.

Output data:

List of all replicated VTL failback jobs:

Total count = 1

[failback job = 1]

ID = 1

VTL Name = part4

Target Host = 10.40.164.70

Failback Job Started = Wed Jun 3 16:45:53 2009

Failback Job Finished = Wed Jun 3 16:46:01 2009

Failback Job Status = Success

Listing the Replicated NAS Failback Jobs on the Target

syscli --list nasfailbackjob

This CLI command allows the user to list the replicated NAS share failback jobs on the target.

Deleting the Replicated VTL Failback Jobs on the Target

```
syscli --del vtlfailbackjob -rename <VTL_name> --tgthost  
<target_hostname> --id <ID_of_the_failback_job>
```

This CLI command allows the CLI admin to delete a replicated VTL failback job. The replicated VTL name, target host name and the ID can be retrieved from the list VTL Failback jobs.

Deleting the Replicated NAS Failback Job on the Target

```
syscli --del nasfailbackjob --rename <NAS_share_name> --tgthost  
<target_hostname> --id <ID_of_the_failback_job>
```

This CLI command allows the admin user to delete a replicated NAS share failback job. The replicated NAS share name, target host name and the ID can be retrieved from the list NAS Failback jobs.

Aborting the Replicated VTL Failback Jobs on the Target

```
syscli --abort vtlfailbackjob -rename <VTL_name> --tgthost  
<target_hostname> --id <ID_of_the_failback_job>
```

This CLI command allows the CLI admin to abort a current running replicated VTL failback job. The replicated VTL name, target host name and the ID can be retrieved from the list VTL Failback jobs.

Aborting the Replicated NAS Failback Job on the Target

```
syscli --abort nasfailbackjob --rename <NAS_share_name> --tgthost  
<target_hostname> --id <ID_of_the_failback_job>
```

This CLI command allows the admin user to abort a current running replicated NAS share failback job. The replicated NAS share name, target host name and the ID can be retrieved from the list NAS Failback jobs.

Enabling the VTL Cartridge Based Replication on the Target

```
syscli --enable cartrep --name <VTL_name> [--syncid <sync_id>] [--locked]
```

This CLI allows the admin user to enable cartridge based replication for the specified VTL on the target. If the sync ID is not specified, the VTL name is used as the default sync ID.

Enabling NAS File/Directory Based Replication on the Target

```
syscli --enable filedirrep --name <NAS_share_name> [--syncid <sync_id>]  
[--locked]
```

This CLI command allows the admin user to enable file or directory based replication on the target. If the sync ID is not specified, the share name is used as the default sync ID.

Disabling VTL Cartridge Based Replication on the Target

```
syscli --disable cartrep --name <VTL_name>
```

This CLI allows the admin user to disable cartridge based replication for the specified VTL on the target.

Disabling NAS File/ Directory Based Replication on the Target

syscli --disable filedirrep --name <NAS_share_name>

This CLI command allows the admin user to disable file or directory based replication for the specified NAS share on the target.

Downloading a Replication Report

syscli --downloadrpt replication

This CLI command allows the admin user to download or copy the generated replication report to the home directory. The admin user can then copy the file to another host if desired.

Getting the Status of Active Cartridge Base or File/Directory Request

syscli --getstatus trigger --source | --target

This CLI command allows the user to get the status of active cartridge or file/directory replication on the specified source or target.

Getting the Status of the Active Synchronization Requests

syscli --getstatus sync --source | target

This CLI command allows the CLI user to get the status of active synchronization requests on the specified source or target.

Listing the File/ Directory-Based Replication Status and Statistics

syscli --list filedirrepstats --name <share name>

This CLI command returns the list of file/directory-based replication status and statistics of the data sent to the target for the specified share on the source system.

Listing the File/ Directory-Based Replication Target Shares

syscli --list filedirtarget [--name <share name>]

This CLI command returns the list of shares with deduplication enabled that can be configured as file/directory-based replication target. When the share name is specified, the status of any file/directory-based replication is also displayed for the specified share.

Listing the Cartridge Replication Status and Statistics

syscli --list cartrepstats --name <VTL name>

Lists the cartridge-based replication status and statistics of the data sent to the target for the specified share on the source system.

Listing the VTL Cartridge Replication Status and Statistics

syscli --list carttarget [--name <VTL name>]

This CLI command returns the lists of VTL with deduplication enabled that can be configured for cartridge-based replication on target. When the VTL name is specified, the status of any cartridge-based replication is also displayed for the specified VTL.

Mapping an OST IP to a Replication IP

When processing an OST replication request, if the OST replication target translation is configured then use the corresponding Replication IP to process the request.

syscli --add opduptranslate --replicationip <replication_ip> --dataip <data_ip>

This CLI allows the admin user to map an OST target IP address to a replication IP address.

CLI Command Options:

- **--add:** Allows to map OST target IP address to a replication IP address.
- **--replicationip:** Must be a valid IP
- **--dataip:** Must be a valid IP

Deleting an OST Target Mapping

syscli --del opduptranslate --replicationip <replication_ip> --dataip <data_ip>

This CLI command deletes the mapping of an OST target IP address for a replication IP address.

CLI Command Options:

- **--del:** Allows to delete the mapping of OST target IP address for a replication IP address.
- **--replicationip:** Must be a valid IP.
- **--dataip:** Must be a valid IP.

Getting an OST Target Mapping

syscli --get opduptranslate --dataip <data_ip>

This CLI command gets the replication IP address for a translated OST target IP address.

CLI Command Options:

- **--get:** Gets the replication ip address for a translated OST target ip address.
- **--dataip:** Must be a valid IP.

Scheduler CLI Commands

This Scheduler CLI Commands allow the admin users to establish and maintain a schedule for particular event types. The events can be a single occurrence or can be set to recur on a schedule.

The following sections describe the supported scheduler CLI commands:

- [Adding an Event](#)
- [Changing an Event](#)
- [Listing Events](#)
- [Deleting an Event](#)

Adding an Event

This CLI allows the admin users to add new events and to specify the events' properties.

Note: When using the `--add` command only a single event or an event series can be added.

```
syscli --add event [--desc <event name>] [--throttle <bandwidth><K|M>
[--service REP]] --start <datetime> [--end <datetime>] [--daily | --weekly
sun,mon,tue,wed,thu,fri,sat | --monthly | --monthday
{1|2|3|4}{sun|mon|tue|wed|thu|fri|sat} | --yearly | --yearday
{1|2|3|4}{sun|mon|tue|wed|thu|fri|sat} [--interval <interval>] [--until
<date> | --count <count>]]
```

CLI command options:

- `--add`: Specifies when, how long, and how often a scheduled event will occur.
- `--desc`: Description for the event. Spaces are allowed, but quotes for the `<event name>` are required.
- `--throttle`: Indicates this is a scheduled throttle event and to set the threshold at `<bandwidth>`. Bandwidth must be between 256 KB/s and 1000 MB/s to indicate the amount of bandwidth to throttle. For example, if 500 KB/s is desired, enter `--throttle 500K`. If 500 MB/s is desired, enter `--throttle 500M`.
- `--service`: Specify which service to throttle.
- `--start`: Start date and time.

Note: Date and time can be entered in any order, but if spaces are used to separate the time and date, then quotes must be used. This date/time will be used to specify when the event is to occur. In the case of a recurring event, portions of this date/time will be used for recurrence. For instance, a yearly recurrence will recur on the same day and time each year.

- **--end:** End date and time. Note: date and time can be entered in any order, but if spaces are used to separate the time and date, then quotes must be used. This date/time will be used to tell when an event will end.

If **--end** is not specified, then an open ended event will be generated. If **--end** is specified followed by 0, the end declaration will be removed, making this an open ended event. This type of an event is used for an occurrence that will never end or for events like replication or garbage collection where they will end when they have completed their job.

- **--daily:** Recur daily starting at the time obtained from the **--start** specification.
- **--weekly:** Recur weekly on specified days (comma separated for multiple days) starting at the time obtained from the **--start** specification.
- **--monthly:** Recur monthly on the day and time obtained from the **--start** specification.
- **--monthday:** Recur monthly on a specific weekday within the month starting at the time obtained from the **--start** specification. ex: 2mon : recur on the second Monday within the month.
- **--yearly:** Recur yearly on the month, day, and time obtained from the **--start** specification.
- **--yearday:** Recur on a specific weekday within the month and starting at the time, both obtained from the **--start** specification. ex: 2mon : recur on the second Monday within the month.
- **--interval:** This specifies how often the recurrence is repeated. Recur every **<interval>** amount.

If **--interval** is not specified, the default is 1.

ex: If daily recurrence, interval=5 : recurs every 5 days;
if monthly recurrence, interval=5 : recurs every 5 months;
if yearly recurrence, interval=5 : recurs every 5 years.

- **--until:** Date in the format yyyy/mm/dd, or yyyy-mm-dd. This specifies when to end recurrence. Recur until date. If neither **--until** or **--count** is specified, recurrence will continue forever.
- **--count:** This specifies when to end recurrence. Recur until **<count>** recurrences.

ex: If daily recurrence, count=5 : recur for 5 days;
if monthly recurrence, count=5 : recur for 5 months;
if yearly recurrence, count=5 : recur for 5 years.

Changing an Event

This CLI allows the admin users to change specific properties of an event which can be a single event, an instance of an event series, or all instances of an event series. The ID of the event to change is required.

```
syscli --change event --id <event id> [--desc <event name>] [--throttle  
<bandwidth> <K|M> [--service REP]] [--start <datetime>] [--end  
<datetime>] [--none | --daily | --weekly sun,mon,tue,wed,thu,fri,sat | --  
monthly | --monthday {1|2|3|4}{sun|mon|tue|wed|thu|fri|sat} | --yearly  
| --yearday {1|2|3|4}{sun|mon|tue|wed|thu|fri|sat} [--interval  
<interval>] [--until <date> | --count <count>]] [--all]
```

Note: If changing recurrence information, all necessary fields must be specified regardless of whether they change or not. For instance, if the event was weekly on the 1st thu and you need to change it to the 2nd Fri, then **--interval**, **--until**, and **--count**, must be specified.

CLI Command Options:

- **--change:** Changes specific properties of a scheduled event given the ID.
- **--id:** The ID (found with **--list events**) of the event to change.
- **--desc:** Description for the event. Spaces are allowed, but quotes for the <event name> are required.
- **--throttle:** Indicates this is a scheduled throttle event and to set the threshold at <bandwidth>. Bandwidth must be between 256 KB/s and 1000 MB/s to indicate the amount of bandwidth to throttle. For example, if 500 KB/s is desired, enter **--throttle 500K**. If 500 MB/s is desired, enter **--throttle 500M**.
- **--service:** Specify which service to throttle.
- **--start:** Start date and time.

Note: Date and time can be entered in any order, but if spaces are used to separate the time and date, then quotes must be used. This date/time will be used to specify when the event is to occur. In the case of a recurring event, portions of this date/time will be used for recurrence. For instance, a yearly recurrence will recur on the same day and time each year.

- **--end:** End date and time. Note: date and time can be entered in any order, but if spaces are used to separate the time and date, then quotes must be used. This date/time will be used to tell when an event will end.

If **--end** is not specified, then an open ended event will be generated. If **--end** is specified followed by 0, the end declaration will be removed, making this an open ended event. This type of an event is used for an occurrence that will never end or for events like replication or garbage collection where they will end when they have completed their job.

- **--none:** Remove any recurrence information on the specified event forcing it to be a one time event.
- **--daily:** Recur daily starting at the time obtained from the **--start** specification.
- **--weekly:** Recur weekly on specified days (comma separated for multiple days) starting at the time obtained from the **--start** specification.
- **--monthly:** Recur monthly on the day and time obtained from the **--start** specification.
- **--monthday:** Recur monthly on a specific weekday within the month starting at the time obtained from the **--start** specification. ex: 2mon : recur on the second Monday within the month.
- **--yearly:** Recur yearly on the month, day, and time obtained from the **--start** specification.

- **--yearday:** Recur on a specific weekday within the month and starting at the time, both obtained from the **--start** specification. ex: 2mon : recur on the second Monday within the month.
- **--interval:** This specifies how often the recurrence is repeated. Recur every **<interval>** amount.

If **--interval** is not specified, the default is 1.
ex: If daily recurrence, interval=5 : recurs every 5 days;
if monthly recurrence, interval=5 : recurs every 5 months;
if yearly recurrence, interval=5 : recurs every 5 years.
- **--until:** Date in the format yyyy/mm/dd, or yyyy-mm-dd. This specifies when to end recurrence. Recur until date. If neither **--until** or **--count** is specified, recurrence will continue forever.
- **--count:** This specifies when to end recurrence. Recur until **<count>** recurrences.

ex: If daily recurrence, count=5 : recur for 5 days;
if monthly recurrence, count=5 : recur for 5 months;
if yearly recurrence, count=5 : recur for 5 years.
- **--all:** Used to specify that changes are to occur to all instances of an event; however, the **--all** command will be ignored on a non-recurring event.

Listing Events

This CLI allows the admin users to list the events during a specified time period. Additionally, it will display an ID for each listed event. This ID can then be used to edit or delete an event or event instance.

```
syscli --list events [--type throttle] [--start <datetime>] [--end <datetime>]
```

CLI Command Options:

- **--list:** Displays all event instances for a particular time period and for a specified event type.
- **--type:** Get specific type of events that are scheduled. If not specified, all types will be displayed.
- **--start:** Start date in the format yyyy/mm/dd, or yyyy-mm-dd. Note that time is not specified so all instances on the date will be shown. If **--start** is not specified, events starting with today will be displayed.
- **--end:** End date in the format yyyy/mm/dd, or yyyy-mm-dd. If **--end** is not specified, all events for one month will be displayed.

Deleting an Event

This CLI allows the admin users to delete an event which can be a single event, an instance of an event series, or all instances of an event series. The ID of the event to delete is required.

Note: When the **--all** command is specified, all instances in the series will be deleted even when changes had been made to any single instance.

```
syscli --del event --id <event id> [--all] [--sure]
```

CLI Command Options:

- **--del:** Deletes a scheduled event given the ID.
- **--id:** The ID (found with **--list events**) of the event to delete.
- **--all:** If appropriate, delete all occurrences of event. If **--all** is not supplied, will only delete a single event or instance.
- **--sure:** Force the deletion to occur regardless of outcome.

Statistics Report CLI Commands

The following sections are the supported statistics report CLI commands:

- [Displaying the Disk Usage Statistics](#)
- [Displaying Data Reduction Statistics](#)
- [Displaying the Ingest Throughput Rate](#)

Displaying the Disk Usage Statistics

syscli --get diskusage

This CLI command displays the disk usage statistics of the system.

Displaying Data Reduction Statistics

syscli --get datareductionstat

This CLI command displays the dedup data reduction statistics of the system.

Displaying the Ingest Throughput Rate

syscli --get ingestrate

This CLI command displays the ingest throughput rate of the system.

OST CLI Commands

The following sections are the supported OST CLI commands:

- [Adding a Storage Server](#)
- [Deleting Storage Server](#)
- [Editing a Storage Server](#)
- [Listing a Storage Server](#)
- [Adding an LSU](#)
- [Deleting an LSU](#)
- [Editing an LSU](#)

- [Listing an LSU](#)
- [Setting OST Global Settings](#)
- [Getting OST Global Settings](#)
- [Listing OST Global Settings](#)

Adding a Storage Server

```
syscli --add storageserver --name <server_name> --maxconnect  
<connect_count> [--desc <description>]
```

This CLI command allows the admin user to add a storage server.

CLI command options:

- **--add:** Adds a storage server.
- **--name:** Name of the storage server.
- **--maxconnect: connect_count:** the maximum number of connections allowed. The range is any value between 3 and 65536, inclusive.

Deleting Storage Server

```
syscli --del storageserver --name <server_name>
```

This CLI command allows the admin user to delete an existing storage server.

Editing a Storage Server

```
syscli --edit storageserver --name <server_name> [--maxconnect <connect  
count>] [--desc <description>]
```

This CLI command allows the admin user to edit one or more attributes of an existing storage server. The attributes that can be changed are the maximum connections and the description. At least one attribute should be specified.

Listing a Storage Server

```
syscli --list storageserver [--name <server_name> |--namematch  
<pattern>]
```

This CLI command provides a list of attributes for all existing storage servers. The list can be limited to a particular server name.

CLI command options:

- **--list:** Lists all storage servers or a particular storage server.
- **--name:** specified if listing is limited to one storage server.
- **--namematch:** if specified, only storage servers whose names match the specified pattern are listed. The wild characters `^` and `$` are supported as follows:
 - `^xxx` – Matching pattern xxx at the start of names
 - `xxx$` – Matching pattern xxx at the end of names

Remember to escape `$` with a backslash because it is special to the shell. For example, to list all storage servers ending with `test` in the names, type the following command: `syscli --list storageserver --namematch test\$`

Adding an LSU

```
syscli --add lsu [--name <lsu_name> --capacity <lsu_capacity_GB>] | --unlimited --storageserver <server_name> [--desc <lsu description>]
```

This CLI command allows the admin user to add an LSU to a specified storage server. If the **unlimited** option is specified, the new LSU will be added with the name **_PhysicalLSU**.

CLI command options:

- **--add**: Adds LSU to a specified storage server.
- **--name**: Name of LSU (Do not use **_PhysicalLSU** because it is a reserved LSU name)
- **--capacity**: Capacity of LSU in GB
- **--unlimited**: if specified, the capacity will be the available physical capacity on the system.

Deleting an LSU

```
syscli --del lsu --name <lsu_name> --storageserver <server_name> --force
```

This CLI command allows a admin user to delete an LSU from a specified storage server. If the **--force** option is specified, the LSU is deleted even if it is not empty and contains files or backup images.

Editing an LSU

```
syscli --edit lsu --name <lsu_name> --storageserver <server_name> [--desc <lsu description>] [--capacity <lsu_capacity_GB>]
```

This CLI command allows the admin user to edit an LSU attribute of the specified storage server. The LSU description and capacity (in Gigabytes) can be changed. If the LSU name is **_PhysicalLSU**, only the description can be changed.

Listing an LSU

```
syscli --list lsu --storageserver <server_name> [--name <lsu_name>]
```

This CLI command allows the admin user to display LSU attributes. If the LSU name is not specified, all LSUs are listed.

An example output of one LSU is shown below.

```
Total count = 1
[LSU = 1]
  lsu name = Lsu1
  Server name = Back_Server
  Physical capacity = 20.00 GB
  Description = LSU_One
```

Setting OST Global Settings

```
syscli --set ostsetting [--accent on|off] [--accentencryption on|off] [--accentencryptiontype 128|256]
```

This CLI allows the admin user to set various OST global settings. At least one of the settings must be specified.

CLI Command Options:

- **--set:** Sets the specified OST setting.
- **--accent:** If specified, turns the global accent setting on or off.
- **--accentencryption:** If specified, turns the global accent encryption setting on or off.
- **--accentcryptiontype:** if specified, the accent encryption type will be either 128 bits or 256 bits encryption.

Getting OST Global Settings

`syscli --get ostsetting`

This CLI allows the user to get OST global settings.

Listing OST Global Settings

`syscli --list accentstats [--all]`

This CLI provides a report of **Accent** statistics obtained from OST. By default, the report will list the aggregate statistics of all media servers. If **--all** is specified, the report consists of the aggregate statistics followed by the statistics of individual media servers.

Other System Configuration CLI Commands

The following sections list other system configuration CLI commands:

- [E-Mail Recipient CLI Commands](#)
- [Outgoing E-mail Server CLI Commands](#)
- [Sending a Test E-mail](#)
- [E-mail Home CLI Commands](#)
- [SNMP Trap Destination CLI Commands](#)

E-Mail Recipient CLI Commands

The following e-mail recipient commands are supported:

- [Listing E-Mail Recipients](#)
- [Adding E-Mail Recipients](#)
- [Editing E-Mail Recipients](#)
- [Deleting E-Mail Recipients](#)
- [Deleting All E-Mail Recipients](#)

Listing E-Mail Recipients

```
syscli --list emailrecipient [--name <email_recipient>]
```

This CLI command allows the user to list the e-mail recipients that are configured on the system. An example output of one e-mail recipient is shown below.

```
List of Recipients
```

```
Total count = 1
```

```
[Recipient = 1]
```

```
  Name = User1
```

```
  Email Address = user1@mycomapny.com
```

```
  Notification Type = all
```

```
  Notification Status = Disabled
```

Adding E-Mail Recipients

```
syscli --add emailrecipient --name <recipient_name> --emailaddr  
<recipient_email_address> [--type { high | highmed | all } ] [--disable]
```

This CLI command allows the admin user to add an e-mail recipient. If the **--disable** option is specified, the recipient's e-mail notification is disabled.

Editing E-Mail Recipients

```
syscli --edit emailrecipient --name <recipient_name> [--emailaddr  
<recipient_email_address>] [--type { high | highmed | all } ] [--disable]
```

This CLI command allows the admin user to edit an existing e-mail recipient. Note that at least the e-mail address, type, or the disable optional parameter must be specified.

Deleting E-Mail Recipients

```
syscli --del emailrecipient --name <recipient_name>
```

This CLI command allows the admin user to delete the specified e-mail recipient.

Deleting All E-Mail Recipients

```
syscli --deleteall emailrecipient [--sure]
```

This CLI command allows the admin user to delete all e-mail recipients. If the **--sure** option is specified, the user will not be prompted for confirmation.

Outgoing E-mail Server CLI Commands

The following e-mail server CLI commands are supported:

- [Displaying the Outgoing E-mail Server](#)
- [Setting the Outgoing E-mail Server](#)
- [Deleting the Outgoing E-mail Server](#)

Displaying the Outgoing E-mail Server

syscli --get emailserver

This CLI command allows the user to display the outgoing e-mail server. An example output of the outgoing e-mail server is shown below.

Outgoing E-mail Server

Host name or IP address = 10.40.164.50

From Email address = DX75@quantum.com

Setting the Outgoing E-mail Server

syscli --set emailserver --hostname <server_name_or_IP> --emailaddr <from_email_address>

This CLI command allows the admin user to add an outgoing e-mail server that will be used to send the e-mail to configured recipients.

Deleting the Outgoing E-mail Server

syscli --del emailserver

This CLI command allows the admin user to delete an outgoing e-mail server.

Sending a Test E-mail

syscli --send testemail --name <recipient_name>

This CLI command allows the admin user to send a test e-mail to verify the e-mail configuration.

E-mail Home CLI Commands

The following e-mail home commands are supported:

- [Getting the E-mail Home Information](#)
- [Enabling or Disabling the E-mail Home Scheduler](#)
- [Adding an E-mail Home Schedule Recipient](#)
- [Deleting an E-mail Home Schedule Recipient](#)
- [Deleting All E-mail Home Receipts](#)
- [On Demand E-mail Home Status](#)
- [On Demand E-mail Home Configuration](#)

Getting the E-mail Home Information

syscli --get emailhome

This CLI command allows the user to display the state of the scheduled e-mail home configuration information. It displays the schedule and the recipients. An example output of E-mail Home Schedule is shown below.

Email Home Schedule Details

```
Email Home Scheduler =  
Send weekly on =  
at = %d:00  
to the following recipients:  
  Recipient 1 = receiver1@ehome.com  
  Recipient 2 =  
  Recipient 3 =  
  Recipient 4 =
```

Enabling or Disabling the E-mail Home Scheduler

syscli --set emailhome { --weekday mon | tue | wed | thu | fri | sat | sun --hour <hour> } | --disable

This CLI command allows the admin user to enable the E-mail Home scheduler and specify the weekly schedule to send e-mail to configured recipients. If the **--disable** option is specified, the e-mail home is disabled.

Adding an E-mail Home Schedule Recipient

syscli --add emailhome --emailaddr <recipient_email_addr>

This CLI command allows the admin user to add e-mail recipients that will receive the weekly scheduled e-mail. You can add up to three E-mail Home Schedule recipients.

Deleting an E-mail Home Schedule Recipient

syscli --del emailhome --emailaddr <recipient_email_addr>

This CLI command allows the admin user to delete an e-mail home recipient from the list of e-mail Home Schedule recipients.

Deleting All E-mail Home Receipts

syscli --deleteall emailhome [--sure]

The CLI allows the admin user to delete all e-mail home recipients. If the **--sure** option is specified, no confirmation prompt will be displayed.

On Demand E-mail Home Status

```
syscli --send statusondemand [--emailaddr <recipient_email_address>]
```

This CLI command allows the admin user to send the e-mail containing Status information, on demand.

On Demand E-mail Home Configuration

```
syscli --send configondemand --emailaddr <recipient_email_address>
```

This CLI command allows the admin user to send the e-mail containing Status information, on demand.

SNMP Trap Destination CLI Commands

The following SNMP trap destination CLI commands are available:

- [Listing SNMP Trap Destinations](#)
- [Adding SNMP Trap Destinations](#)
- [Editing SNMP Trap Destinations](#)
- [Deleting SNMP Trap Destinations](#)
- [Deleting All SNMP Trap Destinations](#)
- [Listing the SNMP Community](#)
- [Adding an SNMP Community](#)
- [Editing an SNMP Community](#)
- [Deleting an SNMP Community](#)
- [Deleting All SNMP Communities](#)
- [Sending a Test Trap](#)

Listing SNMP Trap Destinations

```
syscli --list snmptrapdest
```

This CLI command allows the user to list the configured SNMP trap destinations. An example output of Trap Destination is shown below.

```
Total TrapDestinations = 2
```

```
Trap Destination number = 1
```

```
IP Address = 10.40.166.87
```

```
Name = public
```

```
Selected Traps =
```

```
Failure,Warning,Informational,Available,Unavailable
```

```
Trap Destination number = 2
```

```
IP Address = 10.40.167.77
```

```
Name = public
```

Selected Traps =
Failure,Warning,Informational,Available,Unavailable

Adding SNMP Trap Destinations

```
syscli --add snmptrapdest --ipaddress <trap_dest_address> --name  
<trap_dest_name> [ --enable fail, warn, info, avail, unavail ]
```

This CLI command allows the admin user to add SNMP trap destination

Editing SNMP Trap Destinations

```
syscli --edit snmptrapdest --ipaddress <trap_dest_address> [--name  
<trap_dest_name>] [ --enable fail, warn, info, avail, unavail ]
```

This CLI command allows the admin user to edit SNMP trap destination.

Deleting SNMP Trap Destinations

```
syscli --del snmptrapdest --ipaddress <trap_dest_address>
```

This CLI command allows the admin user to delete SNMP trap destination.

Deleting All SNMP Trap Destinations

```
syscli --deleeteall snmptrapdest [--sure]
```

This CLI command allows the admin user to delete all SNMP trap destinations. If the --sure option is specified, no confirmation prompt will be displayed.

Listing the SNMP Community

```
syscli --list snmpcom
```

This CLI command allows the admin user to list the SNMP communities configured on the system.

```
Total Communities =  
Community Number =  
Name =  
IP Address =  
Network Mask =  
Access Type =  
Community Status =
```

Adding an SNMP Community

```
syscli --add snmpcom --name <community_name> --ipaddress  
<community_IP_address> --netmask <community_net_mask>  
--accesstype {get | getset} [--disable]
```

This CLI command allows the admin user to add an SNMP community.

Editing an SNMP Community

```
syscli --edit snmpcom --name <community_name> [--ipaddress  
<community_IP_address>] [--netmask <community_net_mask>]  
[--accesstype {get | getset}] [--disable]
```

This CLI command allows the admin user to edit an SNMP community.

Deleting an SNMP Community

```
syscli --del snmpcom --name <community_name>
```

This CLI command allows the admin user to delete an SNMP community.

Deleting All SNMP Communities

```
syscli --deleteall snmpcom [--sure]
```

This CLI command allows the admin user to deleted all SNMP communities. If the --sure option is specified, no confirmation prompt will be displayed.

Sending a Test Trap

```
syscli --test snmptrap (--trapip <trap_destination>)
```

This CLI command allows the admin user to send test traps to one or more destinations.

Utility CLI Commands

The following utilities CLI commands are available:

- [Upgrading the System Firmware](#)
- [Getting the Cluster Status of Local Node](#)
- [Starting Space Reclamation](#)
- [Stopping Space Reclamation](#)
- [Specifying the Space Reclamation Schedule](#)
- [Displaying the Current Reclamation Schedule](#)
- [Displaying the Current Reclamation Status](#)
- [Node Management](#)
- [Displaying Licenses](#)
- [Adding a License](#)
- [Diagnostic Logs](#)
- [Authenticate User \(Login Command\)](#)
- [Release Credential \(Logout Command\)](#)

- [Run Command CLI](#)
- [Changing the Password](#)
- [Resetting the Password](#)
- [Getting the Security Banner](#)
- [Setting the Security Banner](#)
- [Getting the Number of Failed Login Attempts](#)

Upgrading the System Firmware

syscli --upgrade firmware --localfile <filename> [--sure]

This CLI command allows the admin user to upgrade the firmware on the system. The image file should be on the system before this command can be issued successfully. The admin user can first copy the file (via scp) to the home directory and then invoke this CLI command by specifying the name of the local firmware file that was manually copied. If the **--sure** option is specified, then no confirmation prompt is displayed.

Getting the Cluster Status of Local Node

syscli --getstatus node

This CLI command allows the user to display the cluster status of the node where the system is running on.

Space Reclamation

The following space reclamation commands are available:

- [Starting Space Reclamation](#)
- [Stopping Space Reclamation](#)
- [Specifying the Space Reclamation Schedule](#)
- [Displaying the Current Reclamation Schedule](#)
- [Displaying the Current Reclamation Status](#)

Starting Space Reclamation

syscli --start reclamation

This CLI command allows the admin user to manually start space reclamation on the system.

Stopping Space Reclamation

syscli --stop reclamation

This CLI command allows the admin user to stop any current space reclamation on the system that is running.

Specifying the Space Reclamation Schedule

```
syscli --sched reclamation --none | {--daily <hh:mm> } | {--weekly  
sun|mon|[tue]|wed|thu|fri|sat --time <hh:mm>} | {--every [tth]|mwf --  
start <hh:mm> }
```

This CLI command allows the admin user to specify a schedule for space reclamation.

CLI command options:

- **--sched:** Schedules periodic space reclamation.
- **--none:** If specified, then there is no schedule for periodic space reclamation.
- **--daily:** If specified, then perform daily space reclamation at the given time. Time is specified in 24-hour HH:MM format (e.g., 20:30), or 12-hour format with a trailing am/pm tag (e.g. 5:45 am or 8:30 pm).
- **--weekly:** If specified (case-insensitive), then perform weekly space reclamation on the given day and time.
- **--time:** Time is specified in 24-hour HH:MM format (e.g., 20:30), or 12-hour format with a trailing am/pm tag (e.g. 5:45 am or 8:30 pm).
- **--every:** If specified (case-insensitive), then perform space reclamation on the given day of every week and time. **tth** represents Tuesday and Thursday, and **mwf** represents Monday, Wednesday, and Friday. If the day is not specified, then Tuesday and Thursday are the default days of every week.
- **--start:** If specified, then start space reclamation at the given time. Time is specified in 24-hour HH:MM format (e.g., 20:30), or 12-hour format with a trailing am/pm tag (e.g. 5:45 am or 8:30 pm).

The following are valid use cases:

- `syscli --sched reclamation --none`
- `syscli --sched reclamation --daily <hh:mm>`
- `syscli --sched reclamation --weekly sun|mon|[tue]|wed|thu|fri|sat --time <hh:mm>`

Note: If nothing is specified after **--weekly**, it means Tuesday every week.

- `syscli --sched reclamation --every [tth]|mwf --start <hh:mm>`

Displaying the Current Reclamation Schedule

```
syscli --get reclamation
```

This CLI command allows the user to display the current reclamation schedule.

Displaying the Current Reclamation Status

```
syscli --getstatus reclamation
```

This CLI command allows the user to retrieve the current status for general space reclamation.

Node Management

`syscli --nodemanage --reboot | --shutdown | --resetdiag [--node {1 | 2 | all}] [--sure]`

This CLI command allows the admin user to reboot, shutdown or reset the diagnostic state on a node. If the `--sure` option is specified, no confirmation prompt is displayed. Note that `--node 2` is an invalid option in release 2.x.

License Management

The following license management commands are available:

- [Displaying Licenses](#)
- [Adding a License](#)

Displaying Licenses

`syscli --list license`

This CLI command allows the user to list the available licenses on the system. An example output of available licenses is shown below:

List of Licenses:

Total count = 7

[License = 1]

License Name = NAS

Installed = No

Date Installed = -- Not Installed --

License Description = Expose NAS interface to host

[License = 2]

License Name = Backup Application Specific

Installed = No

Date Installed = -- Not Installed --

License Description = Enables Backup Application Specific

[License = 3]

License Name = De-Duplication

Installed = Yes

Date Installed = 2009-06-01 15:32:42

License Description = Enables De-Deduplication

[License = 4]

License Name = Replication

Installed = Yes

Date Installed = 2009-06-03 08:59:17

License Description = Enables Replication

```
[License = 5]
```

```
License Name = Storage Capacity
```

```
Installed = Yes
```

```
Date Installed = 2009-06-01 15:32:24
```

```
License Description = Limit Storage Capacity
```

```
[License = 6]
```

```
License Name = OST
```

```
Installed = No
```

```
Date Installed = -- Not Installed --
```

```
License Description = Limit Open Storage Server Connections
```

```
[License = 7]
```

```
License Name = Vision
```

```
Installed = No
```

```
Date Installed = -- Not Installed --
```

```
License Description = Enables Advanced Reporting
```

Adding a License

```
syscli --add license --key <license_key>
```

This CLI command allows the admin user to add a license on the system. The user needs to provide a key corresponding to the license.

Note: For DXi4510 and DXi 4520 systems, all available licenses are pre-installed at the factory. There is no need to add licenses to these systems.

Note: After adding a storage capacity license to DXi4601, you must reboot the DXi to complete the storage capacity upgrade. The new storage capacity will not be available until you reboot the DXi.

Diagnostic Logs

Generating a Diagnostic Log

```
syscli --gen diaglog [--system] | [--array] [--quiet] [--lastgen]
```

This CLI command allows the admin user to generate diagnostic logs on the system.

CLI command options:

- **--system:** generates the system diagnostic log. This is the default if no diagnostic type is specified.
- **--array:** generates the raid array diagnostic log

- **--quiet**: do not display status while generating log
- **--lastgen**: display the last date the diagnostic log was generated

Downloading a Diagnostic Log

syscli --download diaglog [--system] | [--array]

This CLI command allows users to download the current diagnostic log to the current working directory.

CLI command options:

- **--system**: Downloads the system diagnostic log. This is the default if no diagnostic type is specified.
- **--array**: Downloads the raid array diagnostic log.

Authenticate User (Login Command)

syscli --authenticate --name <username> --password <password> --client <clientinfo> [--timeout <timeout>] [--terse]

This command is intended for use with the additional **--ws** option to log into a Web Services server.

syscli --authenticate --name <username> --password <password> --client <clientinfo> [--timeout <timeout>] [--terse] --ws [<remotehost>[:<portnumber>]]

For a description of the **--ws** option, see [Web Services Session](#) on page 8.

This command is to send the user credentials to the Web Services server (named axis2 server) for authentication and starting a Web Services session. The user must have an account on the DXi system that the axis2 server is running.

CLI command options:

- **--password**: if not specified, you will be prompted interactively, and the password is not echoed on screen.
- **--clientinfo**: This is an arbitrary string that contains information to identify the user for logging purposes. It can be the user's real name or the client program, or something that uniquely identifies the session (e.g., myrun1, myrun2, confignas, etc.). The main idea is that the **<clientinfo>** token and the username can be combined together to track the user's activities.
- **--timeout**: This is the number of seconds the session can be idle before the server automatically terminates it. The default value is 1800 seconds (30 minutes).
- **--terse**: If specified, only the credential token value will be displayed in the output. This is handy for use in scripting.

Example 1:

```
bash-3.2$ syscli --authenticate --name cliadmin --password  
**** --client testing
```

Output data:

```
Credential token = 7dd1f06d612631b6ad8a165fcf54914c  
[Component Permission = 1]
```

```
Name = system
Access = ReadWrite
[WSDL Support = 1]
Name = WSDL Specs
Version = 2.0
[WSDL Support = 2]
Name = Common.xsd
Version = 1.0-2010/11/13
[WSDL Support = 3]
Name = Dxi.wsdl
Version = 1.0-2010/05/18
[WSDL Support = 4]
Name = Nas.wsdl
Version = 1.0-2010/05/18
[WSDL Support = 5]
Name = Nas.xsd
Version = 1.0-2010/11/05
[WSDL Support = 6]
Name = Replication.wsdl
Version = 1.0-2010/07/17
[WSDL Support = 7]
Name = Replication.xsd
Version = 1.0-2010/07/17
[WSDL Support = 8]
Name = System.wsdl
Version = 1.0-2010/09/09
[WSDL Support = 9]
Name = System.xsd
Version = 1.0-2010/09/09
Command completed successfully.
```

Example 2:

```
bash-3.2$ syscli --authenticate --name cliadmin --password
**** --client testing
4eaa94a8c39b707524e9b157eab0eae
```

Release Credential (Logout Command)

```
syscli --release credential [--credtoken <credential_token>]
```

This command is used with the additional `--ws` option to log out of a Web Services server.

```
syscli --release credential [--credtoken <credential_token>] --ws  
[<remotehost>[:<portnumber>]]
```

For a description of the `--ws` option, see [Web Services Session](#) on page 8.

This command allows the user to release the specified credential token to terminate a Web Services session. If `--credtoken` is specified, the user must type in the credential token that was returned from a previous `authenticate` command. If not specified, the `syscli` program uses the cached copy, which is the credential token from the most recent `authenticate` command.

Run Command CLI

```
syscli --runcmd --<cmd> [<subcmd>] [--<option> [<value>]]
```

This CLI command allows users to execute any other CLI commands.

With the availability of this command, there are two methods for executing any command. For example, to list all NAS shares:

- a Run the 'list share' CLI directly:

```
syscli --list share
```

- b Run indirectly via the `runcmd` CLI:

```
syscli --runcmd --list share
```

In general, the syntax for this CLI is as follows:

```
syscli --runcmd {specify all options of the command of interest}
```

Why bother with the `--runcmd` CLI?

To list shares, who would run command (b) instead of (a)? It does not make sense to run (b) because (a) is much simpler.

The answer is that the `runcmd` CLI is most useful when run as a Web Services (WS) client (i.e., when specified with `--ws` option at the end, see [Web Services Support \(Optional\)](#) on page 7. In this case it will submit the command of interest to a Web Services server for execution without requiring the command be supported in Web Services.

For example, suppose one wants to list `shareadmin` on a remote host `10.30.40.50`, which is already joined to an ADS domain. Suppose further that the Web Services server supports the `runcmd` command but NOT the `--list shareadmin` command. In this case, one can simply use the `runcmd` CLI to execute the `--list shareadmin` command remotely via Web Services:

```
syscli --runcmd --list shareadmin --ws 10.30.40.50
```

Therefore, the Web Services server can execute all CLI commands if they are sent to the server via the `runcmd` command.

The WS and non-WS versions of a command may not provide the same support for all options of the command. Usually the WS versions support fewer options.

In this case, the only way to run a command with all options over Web Services is to run it via the **runcmd** CLI.

Changing the Password

```
syscli --change password --name admin|monitor|cliadmin|cliviewer --oldpassword <old_password> --newpassword <new_password>
```

This CLI allows the admin user to change the password of the following special users:

admin - Web Administrator

monitor - Web Monitor

cliadmin - CLI Administrator

cliviewer - CLI Monitor

CLI command options:

- **--change** - Changes password of special users (admin, monitor, cliadmin, cliviewer)
- **--name** - Name of special user whose password is to be changed.
- **--oldpassword** - if not specified on command line, the program will prompt for the old password and will not echo it to screen.
- **--newpassword** - if not specified on command line, the program will prompt for the new password and will not echo it to screen.

Resetting the Password

```
syscli --reset password --name cliadmin|cliviewer [--sure]
```

This CLI allows the admin user to reset the password to factory default for the following special users:

- **cliadmin** - CLI Administrator
- **cliviewer** - CLI Monitor

CLI command options:

- **--reset** - Resets password of special users to factory default.
- **--name** - Name of special user whose password is to be changed.
- **--sure** - if specified, the command will execute immediately without asking for confirmation.

Getting the Security Banner

```
syscli --get securitybanner [--terse]
```

This CLI allows the user to get the security banner of the system.

CLI Command Options:

- **--get**: Gets the security banner of the system.
- **--terse**: if specified, only the security banner will be displayed in the output.

Setting the Security Banner

`syscli --set securitybanner --txtfile <file-name>`

This CLI allows the admin user to set the security banner for the system.

CLI Command Options:

- **--set:** Sets the security banner for the system.
- **--txtfile:** Name of the file containing the security banner's text.

Getting the Number of Failed Login Attempts

`syscli --getcount failedlogin --user <user_name> [--terse]`

This CLI allows the user to get the number of failed login attempts preceding the current login.

CLI Command Options:

- **--getcount:** Gets number of failed login attempts.
- **--user:** UserName
- **--terse:** if specified, only the number of failed login attempts will be displayed in the output.

Network CLI Commands

The following sections describe the supported Network CLI commands:

- [Adding Network Configurations](#)
- [Deleting Network Configurations](#)
- [Displaying Network Configurations](#)
- [Backing Up the Current Network Configuration](#)
- [Restoring a Network Configuration](#)
- [Displaying System Network Configuration](#)
- [Listing Network Interfaces](#)
- [Adding Throttle on the Source System](#)
- [Deleting Throttle on the Source System](#)
- [Listing Throttle States](#)
- [Setting Host and Domain Names and the DNS Search Path](#)
- [Editing the Network Configuration](#)
- [Adding a Static Route](#)
- [Deleting a Route From the System of Network Device](#)
- [Listing Static Routes](#)
- [Deprecated Network CLI Commands](#)

In general, use the **netcfg** CLI commands for setting individual IP subnet information per physical interface. In addition to configuring independent ports, you can create multiple bonds, although all ports in a bond must be the same type.

Before using **netcfg** CLI commands, please be aware of the following:

- Only for use by administrators with advanced knowledge of networking.
- Not appropriate for sites that rely on host-based security because it does not provide firewalling.
- You should manually back up the current configuration before changing it.

Note: Network configuration changes made with **netcfg** CLI commands are not applied until you reboot the DXi

Caution: Changes made with **netcfg** CLI commands might cause the system to become inoperable or unreachable.

Adding Network Configurations

```
syscli --add netcfg --devname <DEVNAME> --ipaddr <IPADDR> --netmask <NETMASK> --gateway <GATEWAY> [--slaves <DEV1>,<DEV2>,<...>] [--mode LACP|RR] [--mtu <STD|JUMBO|<SIZE>>] [--defaultgw YES] [--segments REP,MGMT,DATA] [--hosts <IP1,1P2,IP3>] [--sure]
```

This CLI command allows the admin user to add and configure the specified network device with the specified IP, netmask, and optional gateway.

Note: The system does not automatically reboot; therefore, after making any modification to your network configuration, you must manually reboot the system. You can reboot the system using the **syscli --nodemanage --reboot** command.

CLI command options:

- **--devname:** Device name.

Note: Using the device name of a previously configured device will override the previous network configuration values.

The general format is <label><devno>[:<vifno>] where

- **label:** device label, which is an alphabetic string (e.g. bond, eth, ...)
- **devno:** device number, which can range from 0 to possibly 99, depending on actual systems.
- **vifno:** virtual interface number, which is optional and can range from 1 to possibly 99, depending on actual systems.

Note: Virtual interface numbers are used to configure multiple IP addresses for an interface.

- **--ipaddr:** IP address in decimal dotted notation (e.g. 10.20.30.156).

- **--netmask:** Netmask in decimal dotted notation (e.g. 255.255.255.0)
- **--gateway:** IP address of gateway

Note: If the port is directly connected to another port, or the port is not connected to a router, then the gateway IP address should be the same IP address as the **--ipaddr** value.

- **--slaves:** If **--slaves** are specified, use commas to separate two or more slave device names.

Note: Slaves must be specified when creating a bond.

- **--mode:** Mode must be specified when creating a bond. Currently LACP (mode 4) and Round Robin (mode 0) are supported.
- **--mtu:** Enter STD to set the MTU size to the standard frame size of 1500. Enter JUMBO to set the MTU size to the max JUMBO frame size of 9000. Or enter a numeric value between 1500 and 9000. If this line is not entered, the standard MTU frame size of 1500 will be used.
- **--defaultgw:** Uses the entered gateway value as the default gateway.
- **--segments:** Only allow the specified traffic types on this interface.
- **--hosts:** Only allow communication with these hosts via the specified gateway.
- **--sure:** If specified, the command will execute without asking for confirmation.

Note that this command creates a network configuration and renders the following network commands unusable:

- [Enabling Jumbo Frames](#)
- [Disabling Jumbo Frames](#)
- [Getting Jumbo Frame Status](#)
- [Setting Up a Segmented Network](#)
- [Setting Up an Unsegmented Network](#)

Deleting Network Configurations

syscli --del netcfg --devname <DEVNAME> [--sure]

This CLI command allows the admin user to delete the specified network device and its IP address information. Any slaves associated with the network device will also be deleted.

Note: Deleting a device using only the device number, **devno**, will also delete all of its associated IP information that was added when using the virtual interface number, **vifno**, option.

CLI command options:

- **--devname:** Device name. The general format is <label> <devno> [:<vifno>] where
 - **label:** Device label, which is an alphabetic string (e.g. bond, eth, ...)

- **devno**: Device number, which can range from 0 to possibly 99, depending on actual systems.
- **vifno**: Virtual interface number, which is optional and can range from 1 to possibly 99, depending on actual systems.
- **--sure**: If specified, the command will execute and restart without asking for confirmation.

Note that this command renders the following network commands unusable:

- [Enabling Jumbo Frames](#)
- [Disabling Jumbo Frames](#)
- [Getting Jumbo Frame Status](#)
- [Setting Up a Segmented Network](#)
- [Setting Up an Unsegmented Network](#)

Displaying Network Configurations

`syscli --show netcfg [--devname <DEVNAME>]`

This CLI command shows the IP address and routing information. If no device is specified, information for all devices will be displayed.

Note: The **show** command displays the network settings that are currently in effect. If you have made changes to the custom network configuration since rebooting the DXi, these changes do not take effect until after the next reboot.

CLI command options:

- **--devname**: If not specified, shows the network configuration for all device names. If specified, shows the information for the specified device only. The general format is <label> <devno>[:<vifno>] where
 - **label**: Device label, which is an alphabetic string (e.g. bond, eth, ...)
 - **devno**: Device number, which can range from 0 to possibly 99, depending on actual systems.
 - **vifno**: Virtual interface number, which is optional and can range from 1 to possibly 99, depending on actual systems.

Backing Up the Current Network Configuration

`syscli --backup netcfg`

This CLI command allows the admin user to back up the current custom network configuration.

--backup: Backs up custom network configuration.

Restoring a Network Configuration

`syscli --restore netcfg [--sure]`

This CLI command allows the admin user to restore the previously backed up custom network configuration.

Note: The system does not automatically reboot; therefore, after making any modification to your network configuration, you must manually reboot the system. You can reboot the system using the `syscli --nodemanage --reboot` command.

CLI command options:

- **--restore:** Restores previous custom network configuration.
- **--sure:** if specified, the command will execute and restart without asking for confirmation.

Displaying System Network Configuration

`syscli --get network`

This CLI allows the user to display the system network configuration.

--get: Displays system network configuration.

Note: The `--get network` command renders the `syscli --query network` command unusable.

Listing Network Interfaces

`syscli --list interface [--xml [<filename>]] [--type [configured]|runtime]`

This CLI allows the user to list available and configured network interfaces.

CLI Command Options:

- **--list:** Lists network interfaces.
- **--xml:** List XML output to screen or write XML output to <filename>.
- **--type:** Display interface's configured or runtime values. If this value isn't specified, the configured values are displayed.

Adding Throttle on the Source System

`syscli --add throttle --service REP --bw <bandwidth><K|M>`

This CLI allows the admin user to add throttling on the source for the specified network services.

CLI Command Options:

- **--add:** Adds throttling on the source system.
- **--service:** Enables throttling for the specified service.
- **--bw:** The amount of bandwidth to throttle. For example, if 500Kb/s is desired, enter `--bw 500K`.

Deleting Throttle on the Source System

`syscli --del throttle [--service REP] [--sure]`

This CLI allows the admin user to remove throttling on the source.

CLI Command Options:

- **--del:** Removes throttling on the source system.
- **--service:** Disables throttling for the specified service.
- **--sure:** If specified, the command will execute without asking for confirmation.

Listing Throttle States

`syscli --list throttle`

This CLI command shows the throttling state and bandwidth for a service that can be throttled.

Setting Host and Domain Names and the DNS Search Path

```
syscli --set network [--hostname <HOSTNAME>] [--domain <DOMAINNAME>] [--dns <IPADDR,...>] [--defaultgateway <DEFAULTGATEWAY>] [--sure]
```

This CLI allows the admin user to set the host name and optionally the domain name and DNS search paths for the specified host.

Note: The system does not automatically reboot; therefore, after making any modification to your network configuration, you must manually reboot the system. You can reboot the system using the `syscli --nodemanage --reboot` command.

CLI Command Options:

- **--set:** Sets the system network parameters for the specified host.
- **--hostname:** Sets the system's host name.
- **--domain:** Sets the system's domain name.
- **--dns:** Sets the DNS search path. Can specify up to 3 IP addresses. DNS will search each path in the order of the specified IP addresses.
- **--defaultgateway:** Sets the system's default gateway.
- **--sure:** If specified, the command will execute without asking for confirmation.

Editing the Network Configuration

```
syscli --edit netcfg --devname <DEVNAME> [--mtu<STD|JUMBO|<SIZE>>] [--mode LACP|RR] [--slaves <DEV1>,<DEV2>,<...>] [--sure]
```

This CLI allows the admin user to update the MTU, bonding mode or slaves for an existing L2 network device.

Note: The system does not automatically reboot; therefore, after making any modification to your network configuration, you must manually reboot the system. You can reboot the system using the `syscli --nodemanage --reboot` command.

CLI Command Options:

- **--edit:** Updates the MTU, bond mode or slaves for an existing L2 network device.

- **--devname:** Device name. The general format is <label><devno> where
 - **label:** Device label, which is an alphabetic string (e.g. bond, eth, ...)
 - **devno:** Device number, which can range from 0 to possibly 99, depending on actual systems.
- **--mtu:** Enter STD to set the MTU size to the standard frame size of 1500. Enter JUMBO to set the MTU size to the max JUMBO frame size of 9000. Or enter a numeric value between 1500 and 9000. If this line is not entered, the standard MTU frame size of 1500 will be used.
- **--mode:** Currently LACP (mode 4) and Round Robin (mode 0) are supported.
- **--slaves:** If **--slaves** is specified, specify two or more slave device names separated by commas.
- **--sure:** If specified, the command will execute without asking for confirmation.

Adding a Static Route

```
syscli --add route [--devname <DEVNAME>] --network <IPADDR> --  
netmask <NETMASK> --gateway <GATEWAY> [--sure]
```

This CLI allows the admin user to add a static route for the system (and optionally for a network device) using the specified network IP addr, netmask and gateway.

Note: The system does not automatically reboot; therefore, after making any modification to your network configuration, you must manually reboot the system. You can reboot the system using the `syscli --nodemanage --reboot` command.

CLI Command Options:

- **--add:** Adds a static route.
- **--devname:** Device name. The general format is <label><devno>[:<vifno>] where
 - **label:** Device label, which is an alphabetic string (e.g. bond, eth, ...)
 - **devno:** Device number, which can range from 0 to possibly 99, depending on actual systems.
 - **vifno:** Virtual interface number, which is optional and can range from 1 to possibly 99, depending on actual systems.
- **--network:** IP address in decimal dotted notation (e.g. 10.20.30.0).
- **--netmask:** Netmask in decimal dotted notation (e.g. 255.255.255.0)
- **--gateway:** IP address of gateway
- **--sure:** If specified, the command will execute without asking for confirmation.

Deleting a Route From the System of Network Device

`syscli --del route [--devname <DEVNAME>] --network <IPADDR> [--sure]`

This CLI allows the admin user to delete the route for the system (and optionally for a network device).

Note: The system does not automatically reboot; therefore, after making any modification to your network configuration, you must manually reboot the system. You can reboot the system using the `syscli --nodemanage --reboot` command.

CLI Command Options:

- **--del:** Deletes route for the system or network device.
- **--devname:** Device name. The general format is `<label> <devno>[:<vifno>]` where
 - **label:** Device label, which is an alphabetic string (e.g. bond, eth, ...)
 - **devno:** Device number, which can range from 0 to possibly 99, depending on actual systems.
 - **vifno:** Virtual interface number, which is optional and can range from 1 to possibly 99, depending on actual systems.
- **--network:** IP address in decimal dotted notation (e.g. 10.20.30.0).
- **--sure:** if specified, the command will execute without asking for confirmation.

Listing Static Routes

`syscli --list route`

This CLI allows the user to display the static routes for the system.

--list: Lists the static routes.

Deprecated Network CLI Commands

The following network CLI commands are deprecated:

- [Enabling Jumbo Frames](#)
- [Disabling Jumbo Frames](#)
- [Getting Jumbo Frame Status](#)
- [Setting Up a Segmented Network](#)
- [Setting Up an Unsegmented Network](#)
- [Querying the Network](#)
- [Undoing a Network Configuration](#)

Enabling Jumbo Frames

`syscli --enable jumbo`

DEPRECATED. Use the `syscli --add netcfg` command to set jumbo frame status instead.

Disabling Jumbo Frames

syscli --disable jumbo

DEPRECATED. Use the **syscli --add netcfg** command to set jumbo frames instead.

Getting Jumbo Frame Status

syscli --getstatus jumbo

DEPRECATED. Use the **syscli --list interface** command to get jumbo frames instead.

Setting Up a Segmented Network

syscli --setnetwork segmented

DEPRECATED. Use the **syscli --add netcfg** command with the **--segments** option instead.

Setting Up an Unsegmented Network

syscli --setnetwork unsegmented

DEPRECATED. Use the **syscli --add netcfg** command with the **--segments** option instead.

Querying the Network

syscli --query network

DEPRECATED. Use the **syscli --get network** command instead.

Undoing a Network Configuration

syscli --undo netcfg [--sure]

DEPRECATED. No longer applicable in versions 2.1 or greater.

Netcfg Configuration Examples

This section provides examples of advanced netcfg configurations and a brief explanation of the syscli sequences that were used for each of the configurations. These examples, which are intended for customer network administrators, can vary depending on the customer network environment.

The following are some key points to remember:

- Use of the CLI commands require some understanding of network configurations, and they must be used with caution.
- Bonded Ethernet ports must be connected to a switch, with the same link aggregation setup (Round Robin or Link Aggregation Control Protocol).

The following netcfg configuration examples are not possible with the CLI GUI:

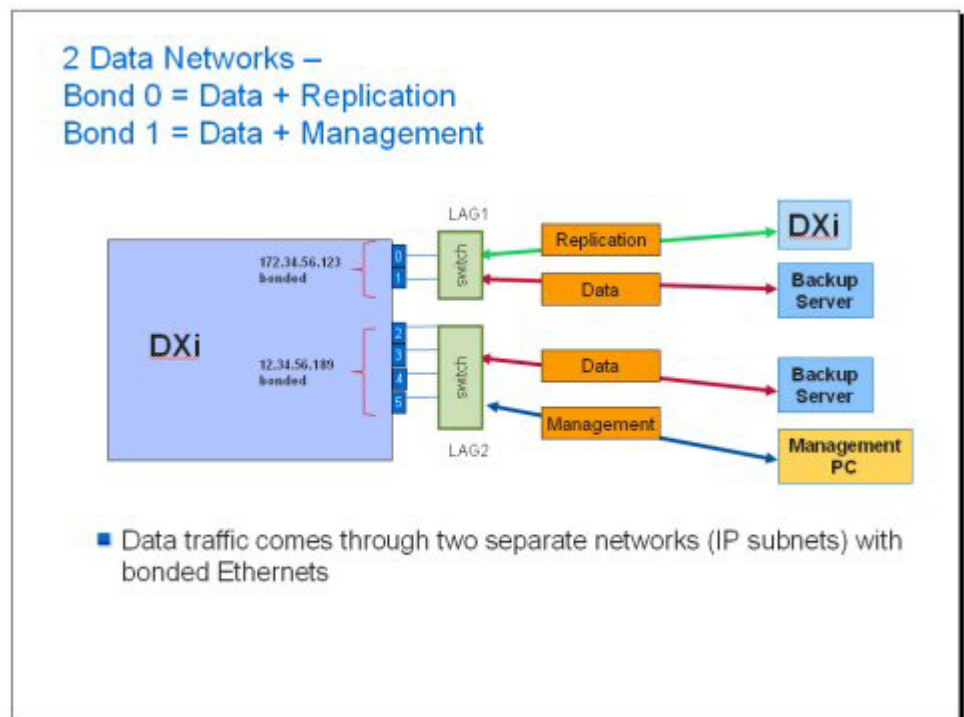
- [DXi 6540 Connected to Two Different Networks Through Two Bonds](#)

- [DXi 6540 With Only Two Independent Ports Being Used](#)
- [DXi 6540 With Three Bonds of Two Ports Each](#)
- [DXi 6540 With One Bond and Two Independent Interfaces](#)
- [DXi 6540/6550 With All Customer Interfaces Used Independently](#)
- [Deleting a Bond and Setting Up Independent Interfaces](#)

DXi 6540 Connected to Two Different Networks Through Two Bonds

The bonded interfaces on the DXi are connected to two different subnets; this may have two different default gateways for the subnet.

Figure 1 Netcfg Example – Two Data Networks



The following syscli sequences can be used to configure a similar setup.

To display the existing configuration:

```
syscli --list interface
```

First, delete the default bond configuration with all customer ports connected together:

```
syscli --del netcfg --devname bond0
```

Then configure bond0 and use this bond IPADDR, if applicable configure the GATEWAY1:

```
syscli --add netcfg --devname bond0 --slaves eth0, eth1  
--segments DATA,REP --ipaddr IPADDR1 --netmask NETMASK1  
--gateway GATEWAY1
```

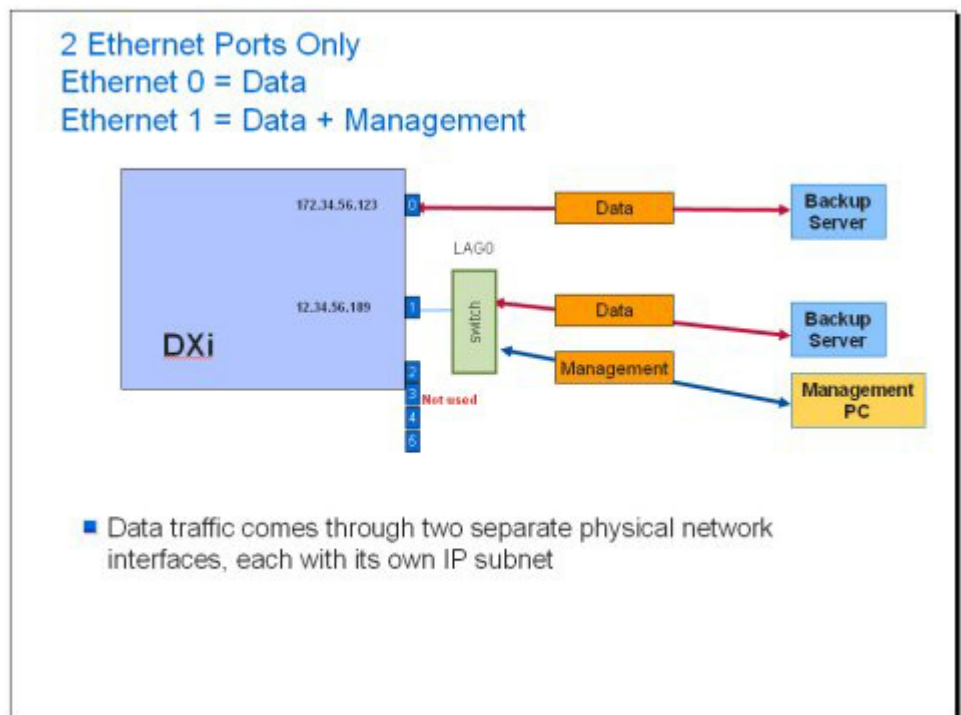
Then, configure bond1 for the other subnet. If applicable, configure the GATEWAY2:

```
syscli --add netcfg --devname bond1 --slaves eth2, eth3 --ipaddr IPADDR2  
--netmask NETMASK2 --gateway GATEWAY2 --segments DATA,MGMT
```

DXi 6540 With Only Two Independent Ports Being Used

There are only two independent customer ports that are configured. They have to be connected to two independent non-aggregated ports on the switch. The IP subnet dependent gateways, if applicable, can be configured.

Figure 2 Netcfg Example – Two Ethernet Ports Only



The following syscli sequences can be used to configure a similar setup.

To display the existing configuration:

```
syscli --list interface
```

First, delete the default bond configuration with all customer ports connected together:

```
syscli --del netcfg --devname bond0
```

Then configure Eth0 for IPADDR1 and for the replication source, if applicable, configure GATEWAY1:

```
syscli --add netcfg --devname eth0 --segments DATA,REP --ipaddr IPADDR1  
--netmask NETMASK1 --gateway GATEWAY1
```

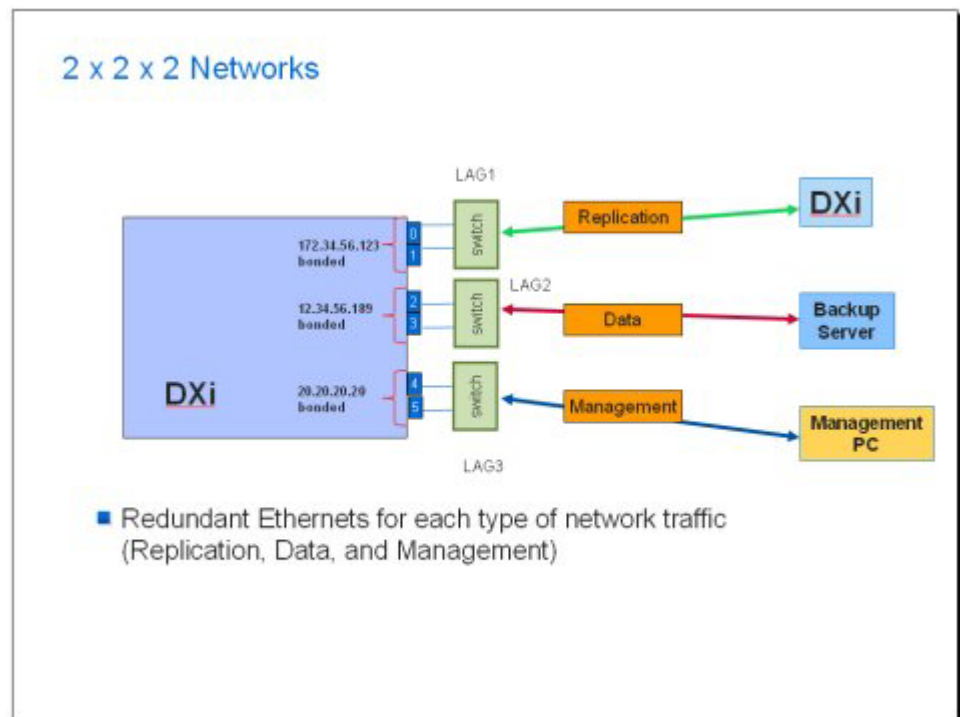
Then configure Eth0 for the other subnet. If applicable, configure GATEWAY2:

```
syscli --add netcfg --devname eth0:1 --ipaddr IPADDR2  
--netmask NETMASK2 --gateway GATEWAY2 --segments DATA,MGMT
```

DXi 6540 With Three Bonds of Two Ports Each

Ensure that the switch ports are appropriately aggregated and the gateways, if applicable, are configured.

Figure 3 Netcfg Example –
2 x 2 x 2 Networks



The following syscli sequences can be used to configure a similar setup.

To display the existing configuration:

```
syscli --list interface
```

First, delete the default bond configuration with all customer ports connected together:

```
syscli --del netcfg --devname bond0
```

Then configure bond0 for IPADDR1 and for the replication source, if applicable, configure GATEWAY1:

```
syscli --add netcfg --devname bond0 --slaves eth0, eth1 --segments REP  
--ipaddr IPADDR1 --netmask NETMASK1 --gateway GATEWAY1
```

Then configure bond1 for IPADDR2 and, if applicable, configure GATEWAY2:

```
syscli --add netcfg --devname bond1 --slaves eth2, eth3 --ipaddr IPADDR2 --  
netmask NETMASK2 --gateway GATEWAY2 --segments DATA
```

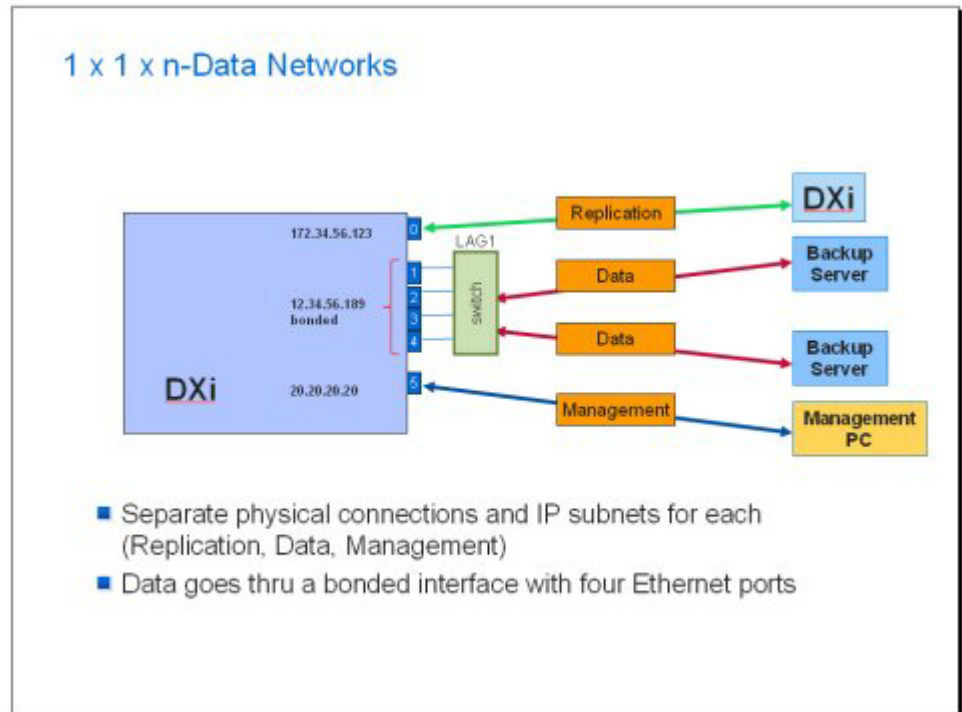
Then configure bond2 for IPADDR3 and, if applicable, configure GATEWAY3:

```
syscli --add netcfg --devname bond2 --slaves eth4, eth5 --ipaddr IPADDR3 --  
netmask NETMASK3 --gateway GATEWAY3 --segments MGMT
```

DXi 6540 With One Bond and Two Independent Interfaces

The two independent interfaces have to be connected to a non-aggregated port on a switch. The bonded ports are connected to appropriately link aggregated switch ports.

Figure 4 Netcfg Example –
1 x 1 x N Data Networks



The following syscli sequences can be used to configure a similar setup.

To display the existing configuration:

```
syscli --list interface
```

First, delete the default bond configuration with all customer ports connected together:

```
syscli --del netcfg --devname bond0
```

Then configure bond0 for IPADDR1 and for replication source, if applicable, configure GATEWAY1:

```
syscli --add netcfg --devname bond0 --slaves eth1, eth2, eth3, eth4  
--ipaddr IPADDR1 --netmask NETMASK1 --gateway GATEWAY1  
--segments REP
```

Then configure eth0 for IPADDR2 and, if applicable, configure the GATEWAY2:

```
syscli --add netcfg --devname eth0 --ipaddr IPADDR2 --netmask NETMASK2 -  
-gateway GATEWAY2 --segments REP
```

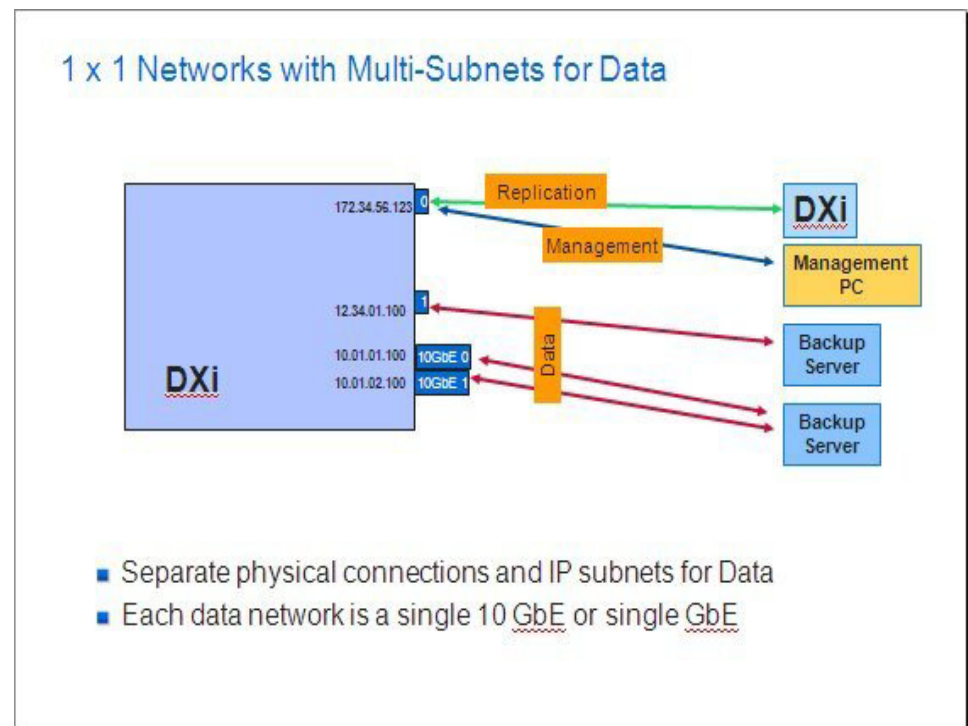
Then configure Eth5 for IPADDR3 and, if applicable, configure GATEWAY3:

```
syscli --add netcfg --devname eth5 --ipaddr IPADDR3 --netmask NETMASK3 -  
-gateway GATEWAY3 --segments MGMT
```

DXi 6540/6550 With All Customer Interfaces Used Independently

Data traffic comes from two media servers going thru GbE port #1 and the two 10 GbE ports. Replication and management traffic are routed to GbE port #0.

Figure 5 Netcfg Example –
1 x 1 Networks with Multi-Subnets for Data



The following syscli sequences can be used to configure a similar setup.

To display the existing configuration:

```
syscli --list interface
```

First, delete the default bond configuration with all customer ports connected together:

```
syscli --del netcfg --devname bond0
```

Then configure Eth0 for IPADDR1 and, if applicable, configure GATEWAY1:

```
syscli --add netcfg --devname eth0 --ipaddr IPADDR1 --netmask NETMASK1 -  
-gateway GATEWAY1
```

Then configure Eth1 for IPADDR2 and, if applicable, configure GATEWAY2:

```
syscli --add netcfg --devname eth1 --ipaddr IPADDR2 --netmask NETMASK2 -  
-gateway GATEWAY2
```

Deleting a Bond and Setting Up Independent Interfaces

This section provides an example for using the `netcfg` CLI command to delete a bond that has eth0 and eth1 as slaves and set them up as independent interfaces. The DXi ships with all ports bonded, and you must undo bonding if you want to use the individual Ethernet ports to communicate with other systems on separate subnets.

- 1 Display the output of the current runtime network values using `syscli --show netcfg` to list the current runtime values. (Runtime values are those values that are currently used by the network service. Values must first be configured using the add and delete netcfg commands. In order for these values to become runtime values, the system must be rebooted. This will restart the network service. You can use the `syscli --nodemanage --reboot` command to reboot the system after all network configuration has been done.)

Note: The **WARNING: No Replication IP configured** message at the bottom means that an interface was not configured specifically for replication. An interface can be configured for replication using the `--policy REP` option in the `syscli --add netcfg` command if desired.

```
[root@rok-dxi92 DXi]# syscli --show netcfg  
bond0      Link encap:Ethernet  HWaddr 00:50:56:AB:00:48  
           UP BROADCAST RUNNING MASTER MULTICAST  MTU:1500  Metric:1  
           RX packets:557471 errors:155 dropped:0 overruns:0 frame:0  
           TX packets:48114 errors:0 dropped:0 overruns:0 carrier:0  
           collisions:0 txqueuelen:0  
           RX bytes:48747984 (46.4 MiB)  TX bytes:6195223 (5.9 MiB)  
bond0:2    Link encap:Ethernet  HWaddr 00:50:56:AB:00:48  
           inet addr:10.20.185.92  Bcast:10.20.191.255  
           Mask:255.255.248.0  
           UP BROADCAST RUNNING MASTER MULTICAST  MTU:1500  Metric:1  
eth0       Link encap:Ethernet  HWaddr 00:50:56:AB:00:48  
           UP BROADCAST RUNNING SLAVE MULTICAST  MTU:1500  Metric:1  
           RX packets:278735 errors:5 dropped:0 overruns:0 frame:0  
           TX packets:24057 errors:0 dropped:0 overruns:0 carrier:0
```



```
collisions:0 txqueuelen:1000
RX bytes:24372519 (23.2 MiB) TX bytes:3113468 (2.9 MiB)
Interrupt:51 Base address:0x2080
eth1 Link encap:Ethernet HWaddr 00:50:56:AB:00:48
UP BROADCAST RUNNING SLAVE MULTICAST MTU:1500 Metric:1
RX packets:278736 errors:150 dropped:0 overruns:0 frame:0
TX packets:24057 errors:0 dropped:0 overruns:0 carrier:0
collisions:0 txqueuelen:1000
RX bytes:24375465 (23.2 MiB) TX bytes:3081755 (2.9 MiB)
Interrupt:67 Base address:0x20c0
lo Link encap:Local Loopback
inet addr:127.0.0.1 Mask:255.0.0.0
UP LOOPBACK RUNNING MTU:16436 Metric:1
RX packets:5872300 errors:0 dropped:0 overruns:0 frame:0
TX packets:5872300 errors:0 dropped:0 overruns:0 carrier:0
collisions:0 txqueuelen:0
RX bytes:564058955 (537.9 MiB) TX bytes:564058955 (537.9
MiB)
10.20.184.0/21 dev bond0 proto kernel scope link src 10.20.185.92
default via 10.20.184.1 dev bond0 src 10.20.185.92
0: from all lookup 255
32766: from all lookup main
32767: from all lookup default
WARNING: No Replication IP configured
Command completed successfully.
```

2 Delete bond0:

```
[root@rok-dxi92 DXi]# syscli --del netcfg --devname bond0
You have specified the following data for command "DelNetcfg":
--devname = bond0
Are you sure you want to proceed? [yes|no] > yes
Command completed successfully.
```

Note: This will not change the output of `syscli --show netcfg` because the add and delete `netcfg` commands only affect the network configuration files and not the runtime values.

3 Add the eth0 and eth1 interfaces:

```
[root@rok-dxi92 DXi]# syscli --add netcfg --devname eth0 --ipaddr
10.20.185.92 --netmask 255.255.248.0 --gateway 10.20.184.1
You have specified the following data for command "AddNetcfg":
--devname = eth0
--ipaddr = 10.20.185.92
--netmask = 255.255.248.0
```

```
--gateway = 10.20.184.1
Are you sure you want to proceed? [yes|no] > yes
Command completed successfully.
[root@rok-dxi92 DXi]# syscli --add netcfg --devname eth1 --ipaddr
10.20.185.117 --netmask 255.255.248.0 --gateway 10.20.184.1
You have specified the following data for command "AddNetcfg":
--devname = eth1
--ipaddr = 10.20.185.117
--netmask = 255.255.248.0
--gateway = 10.20.184.1
Are you sure you want to proceed? [yes|no] > yes
Command completed successfully.
```

4 Reboot the system using the `syscli --nodemanage --reboot` command:

```
[root@rok-dxi92 DXi]# syscli --nodemanage --reboot
You have specified the following data for command "Nodemanage":
--reboot
Are you sure you want to proceed? [yes|no] > yes
Broadcast message from root (pts/1) (Wed Jun  8 09:51:50 2011):
The system is going down for reboot NOW!
Command completed successfully.
```

5 After the system comes back up, display the runtime network values using `syscli --show netcfg`. They should now reflect the configured network values. The output should now show eth0 and eth1 as independent interfaces.

```
[root@rok-dxi92 DXi]# syscli --show netcfg
eth0      Link encap:Ethernet  HWaddr 00:50:56:AB:00:48
          inet addr:10.20.185.92  Bcast:10.20.191.255
          Mask:255.255.248.0
          UP BROADCAST RUNNING MULTICAST  MTU:1500  Metric:1
          RX packets:373 errors:0 dropped:0 overruns:0 frame:0
          TX packets:80 errors:0 dropped:0 overruns:0 carrier:0
          collisions:0 txqueuelen:1000
          RX bytes:32420 (31.6 KiB)  TX bytes:9160 (8.9 KiB)
          Interrupt:51 Base address:0x2080
eth1      Link encap:Ethernet  HWaddr 00:50:56:AB:00:56
          inet addr:10.20.185.117  Bcast:10.20.191.255
          Mask:255.255.248.0
          UP BROADCAST RUNNING MULTICAST  MTU:1500  Metric:1
          RX packets:260 errors:0 dropped:0 overruns:0 frame:0
          TX packets:4 errors:0 dropped:0 overruns:0 carrier:0
          collisions:0 txqueuelen:1000
          RX bytes:21262 (20.7 KiB)  TX bytes:168 (168.0 b)
```

```
Interrupt:67 Base address:0x20c0
lo      Link encap:Local Loopback
        inet addr:127.0.0.1  Mask:255.0.0.0
        UP LOOPBACK RUNNING  MTU:16436  Metric:1
        RX packets:2000 errors:0 dropped:0 overruns:0 frame:0
        TX packets:2000 errors:0 dropped:0 overruns:0 carrier:0
        collisions:0 txqueuelen:0
        RX bytes:177098 (172.9 KiB)  TX bytes:177098 (172.9 KiB)
10.20.184.0/21 dev eth0  proto kernel  scope link  src 10.20.185.92
10.20.184.0/21 dev eth1  proto kernel  scope link  src 10.20.185.117
169.254.0.0/16 dev eth1  scope link
default via 10.20.184.1 dev eth0
0:      from all lookup 255
32764:  from 10.20.185.117 lookup eth1
32765:  from 10.20.185.92 lookup eth0
32766:  from all lookup main
32767:  from all lookup default
WARNING: No Replication IP configured
Command completed successfully.
```

6 To create a bond using eth0 and eth1 as slaves, enter the following:

```
[root@rok-dxi92 DXi]# syscli --add netcfg --devname bond0 --ipaddr
10.20.185.92 --netmask 255.255.252.0 --gateway 10.20.184.1 --slaves
eth0,eth1 --mode RR
```

You have specified the following data for command "AddNetcfg":

```
--devname = bond0
--ipaddr = 10.20.185.92
--netmask = 255.255.252.0
--gateway = 10.20.184.1
--slaves = eth0,eth1
--mode = RR
```

Are you sure you want to proceed? [yes|no] > yes

Command completed successfully.

7 If you want to remove custom configuration such that the system is restored with the network configuration values it was shipped with, use the **syscli --undo netcfg** command. Remember to reboot the system for these values to take affect.

Note: **--undo netcfg** DEPRECATED. No longer applicable in versions 2.1 or greater.

```
[root@rok-dxi92 DXi]# syscli --undo netcfg
Are you sure you want to proceed? [yes|no] > yes
Command completed successfully.
```

Path To Tape CLI Commands

The following Path to Tape CLI commands are available:

Note: Path to Tape CLI commands are not available for the V1000 and DXi4000 systems.

- [Listing the Path to Tape Initiator](#)
- [Listing the Path to Tape Ports](#)
- [Adding a Backup User](#)
- [Editing a Backup User](#)
- [Deleting a Backup User](#)
- [Deleting All Backup Users](#)
- [Listing Backup Users](#)
- [Listing Medium Changers](#)
- [Listing Tape Drives](#)
- [Scanning Devices](#)
- [Using Medium Changers](#)
- [Using Tape Drives](#)

Listing the Path to Tape Initiator

syscli --list pttinitiator

This CLI command provides a list of path to tape initiators that are present on the system.

Listing the Path to Tape Ports

syscli --list port

This CLI command provides a list of initiator and target ports that are present on the system. The output parameters, Row and Column, of this command give the relative node port location in row and column, respectively.

Adding a Backup User

syscli --add backupuser --name <backup_user_name> --password <backup_user_password> [--desc <description>]

This CLI command allows the admin user to add a backup application user.

- **--desc:** user description. Enclosed in double quotes if string contains spaces or special characters.

Editing a Backup User

syscli --edit backupuser --name <backup_user_name> --password <backup_user_password> [--desc <description>]

This CLI command allows the admin user to edit a backup application user.

- **--desc**: user description. Enclosed in double quotes if string contains spaces or special characters.

Deleting a Backup User

syscli --del backupuser --name <backup_user_name>

This CLI command allows the admin user to delete a backup application user.

Deleting All Backup Users

syscli --deleteall backupuser [--sure]

This CLI command allows the admin user to delete all existing backup application users.

Listing Backup Users

syscli --list backupuser

This CLI command provides a list of backup application users.

Listing Medium Changers

syscli --list medchanger

This CLI command provides a list of medium changers that are present on the system now.

Listing Tape Drives

syscli --list tapedrive --serialnumber <serialnumber>

This CLI command provides a list of tape drives that are present on a given physical library.

- **--serialnumber**: Must be a valid physical library serial number. Use **--list medchanger** to get all available medium changer serial numbers.

Scanning Devices

syscli --scan device

This CLI command allows the admin user to detect any physical tape library attached to the system.

Using Medium Changers

syscli --use medchanger --sernum <medium changer serial number> --usetype {backupapplicationspecific | remove | ignore}

This CLI command allows the admin user to set the intended use for the specified medium changer.

- **--sernum**: Must be a valid serial number of the medium changer. Use the **--list medchanger** command to get all the medium changer serial numbers.
- **--usetype**: Type of intended use for the medium changer.

Using Tape Drives

```
syscli --use tapedrive --sernum <tape drive serial number> --usetype  
{backupapplicationspecific | remove | ignore}
```

This CLI command allows the admin user to set the intended use for the specified tape drive.

- **--sernum:** Must be a valid serial number of the tape drive. Use the **--list tapedrive** command to get all the tape drive serial numbers.
- **--usetype:** Type of intended use for the tape drive.

Date and Time CLI Commands

The following sections describe the supported date and time CLI commands:

- [Getting the Date and Time](#)
- [Setting the Date and Time](#)
- [Displaying the NTP Server](#)
- [Displaying the Time Zone](#)

Getting the Date and Time

```
syscli --get datetime
```

This CLI command returns the system date, time, time zone, time format and NTP server information.

Setting the Date and Time

```
syscli --set datetime [--ntpserver <ntpserver> | { --date <yyyymmdd> --  
time <time>}] [--timeformat 12|24] [--timezoneid <time zone id>] [--sure]
```

This CLI command allows the admin user to set the system date and time using NTP or manually. The user can specify either (a) the name or IP address of an NTP server that the system date and time will be synchronized with, or (b) both the new date and time.

Displaying the NTP Server

```
syscli --list ntpserver
```

This CLI command lists the public NTP server pool.

Displaying the Time Zone

```
syscli --list timezone [--matching <pattern>]
```

This CLI command allows the user to list information for all time zones. If matching <pattern> is specified, list only time zones that have their time zone filenames match the specified pattern such as pacific, central, bangkok, etc. The match is case insensitive.

Status CLI Commands

The following sections describe the supported Status CLI commands:

- [Getting VTL Performance](#)
- [Getting Tape Drive Status](#)
- [Getting Storage Slot Status](#)
- [Getting the VTL Logical View Status](#)
- [Getting the Common Component Status](#)
- [Getting Storage Array Status](#)
- [Getting Hardware System Component Status](#)
- [Getting System Board Status](#)
- [Getting Network Port Status](#)
- [Getting Detailed Storage Array Status](#)
- [Getting System Memory Usage Statistics](#)

Getting VTL Performance

`syscli --getstatus vtlperf --vtl <VTL_name>`

This CLI command returns the VTL's average write speed.

Getting Tape Drive Status

`syscli --getstatus tapedrive --vtl <VTL_name> [--drive <drive>]`

This CLI command returns the status of the tape drives of the specified VTL. An optional drive can be specified using the serial number of the drive to show the status of a specific drive.

Getting Storage Slot Status

`syscli --getstatus storageslot --vtl <VTL_name> [--barcode <barcode>]`

This CLI command returns the status of the storage slots of the specified VTL. If the optional barcode is specified, the status of the storage slot of the specified barcode is displayed.

Getting the VTL Logical View Status

`syscli --getstatus vtllogical [--vtl <VTL_name>]`

This CLI command returns the logical view of the VTL(s). If an optional VTL name is specified, only that VTL's logical view is displayed.

Getting the Common Component Status

`syscli --getstatus commoncomponent [--storagearray]`

This CLI command returns the status of the common hardware components of the system. If the optional `--storagearray` option is specified...(TBD)

Getting Storage Array Status

syscli --getstatus storagearray

This CLI command displays the status of all the storage arrays.

Getting Hardware System Component Status

syscli --getstatus syscomponent [--systemboard | --networkport]

This CLI command returns the status of the hardware system components.

Getting System Board Status

syscli --getstatus systemboard

This CLI command displays the detailed status of the system board components.

Getting Network Port Status

syscli --getstatus networkport

This CLI command displays the detailed status of the network ports.

Getting Detailed Storage Array Status

syscli --getstatus storagearraydetails --name <storagearrayname>

This CLI command displays the detailed status of the specified storage array.

Getting System Memory Usage Statistics

syscli --getstatus systemmemory

This CLI command displays the memory usage statistics of the system. The output reports Total Memory and Free Memory.

Alert CLI Commands

The following sections describe the supported Alert CLI commands:

- [Deleting an Administration Alert](#)
- [Deleting All Administration Alerts](#)
- [Editing the Service Ticket Analysis](#)
- [Listing the Administration Alerts](#)
- [Listing the Service Tickets](#)
- [Sending the Service Ticket Analysis](#)
- [Showing the Service Ticket Analysis](#)
- [Showing the Service Ticket Details](#)
- [Closing All Service Tickets](#)

Deleting an Administration Alert

syscli --del adminalert (--alert <alert_name>)

This CLI command allows the admin user to delete an administration alert.

Deleting All Administration Alerts

syscli --deleteall adminalert [--sure]

This CLI command allows the admin user to delete all existing administration alerts.

Editing the Service Ticket Analysis

syscli --edit ticketanalysis --ticketnum <ticketnum> [--textline <text> | --textfile <text_file_name>] [--close]

This CLI command allows the admin user to edit the service ticket analysis.

Listing the Administration Alerts

syscli --list adminalert [--alert <alert_item>]

This CLI command allows the user to list the administration alerts.

Listing the Service Tickets

syscli --list serviceticket [--all | --closed | --open] [--ticketnum <ticketnum>]

This CLI command allows the user to list the service tickets.

Sending the Service Ticket Analysis

syscli --send ticketanalysis --ticketnum <ticketnum> --recipient <email_recipient> [--comment <comment>]

This CLI command allows the admin user to send the service ticket analysis.

Showing the Service Ticket Analysis

syscli --show ticketanalysis --ticketnum <ticketnum>

This CLI command allows the admin user to show the service ticket analysis.

Showing the Service Ticket Details

syscli --show ticketdetail --ticketnum <ticketnum>

This CLI command allows the user to show the service ticket details.

Closing All Service Tickets

syscli --closeall ticket [--sure]

This CLI command allows the admin user to close all existing service tickets.

Analyzer CLI Commands

The following sections describe the supported Analyzer CLI commands:

- [Analyzing the Network](#)
- [Enabling or Disabling the NetServer to Perform a Network Analysis](#)
- [Performing a Disk Analysis on the System](#)
- [Displaying the NetServer Status](#)
- [Displaying the Last Run Result of the Disk/Network Analysis](#)

Analyzing the Network

syscli --analyze network --ipaddress <ipaddress>

This CLI command allows the admin user to perform a network analysis of this system with another system. NetServer should be enabled on the other system specified in the 'ipaddress' options using the **--set netserver** command.

Enabling or Disabling the NetServer to Perform a Network Analysis

syscli --set netserver --enable | --disable

This CLI command allows the admin user to enable or disable the NetServer on the system to perform a network analysis.

Performing a Disk Analysis on the System

syscli --analyze disk

This CLI command performs a disk analysis on the system.

Displaying the NetServer Status

syscli --getstatus netserver

This CLI command displays whether NetServer is enabled or disabled on the system.

Displaying the Last Run Result of the Disk/Network Analysis

syscli --show throughput --disk | --network

This CLI command displays the last run result of the disk/network analysis.

Health Check CLI Commands

The following sections describe the supported Health Check CLI commands:

- [Starting a Health Check](#)
- [Stopping a Health Check](#)
- [Scheduling a Health Check](#)
- [Listing the Health Check Status](#)
- [Editing the Health Check](#)
- [Getting the General Status of System Health Checks](#)
- [Getting the Health Check Schedule](#)

Starting a Health Check

syscli --start healthcheck

This CLI command allows the admin user to start a healthcheck on the system if it is not running.

Stopping a Health Check

syscli --stop healthcheck

This CLI command allows the admin user to stop a healthcheck on the system if it is running.

Scheduling a Health Check

syscli --sched healthcheck --never | { --time <time> [--day sun|mon|tue|wed|thu|fri|sat]}

This CLI command allows the admin user to schedule a healthcheck on the system.

Listing the Health Check Status

syscli --list healthcheckstatus

This CLI command lists the healthcheck status of certain components in the system.

Sample output:

```
bash-3.2$ syscli --list healthcheckstatus
```

Output data:

```
Healthcheck Status
Total count = 2
HealthCheck = 1
    Healthcheck Name = De-Duplication
    State = enabled
    Started = Sun Dec 19 05:00:05 2010
    Finished = Sun Dec 19 05:00:05 2010
    Status = Success
HealthCheck = 2
    Healthcheck Name = Integrity
    State = enabled
    Started = Sun Dec 19 05:00:08 2010
    Finished = Sun Dec 19 05:00:08 2010
    Status = Success
```

Command completed successfully.

Editing the Health Check

syscli --edit healthcheck --name <healthcheck_name> --enable | --disable

This CLI command allows the admin user to enable or disable the health check on a specified healthcheck name.

Getting the General Status of System Health Checks

syscli --getstatus healthcheck

This CLI command displays the general status of system health checks.

Sample:

```
bash-3.2$ syscli --getstatus healthcheck
```

Output data:

```
General Healthchecks
Status = Success
Progress = 100 %
Start Time = Sun Dec 19 05:00:04 2010
```

```
End Time = Sun Dec 19 05:00:09 2010  
Command completed successfully.
```

Getting the Health Check Schedule

syscli --getsched healthcheck

This CLI command displays the healthcheck schedule.

Sample output:

```
bash-3.2$ syscli --getsched healthcheck
```

Output data:

```
Schedule Type = Daily
```

```
Time = 05:00 AM
```

Command completed successfully.

CLI Error Codes

With this release, the following CLI error codes are supported:

Error Code	Error Message
E0000	Error is undefined (programmer forgot to handle error)
E0001	Success
E0003	Failed
E0004	Unknown error.
E0005	Failed for internal error
E0006	Command executed successfully by noded but failed to read output
E0007	Command failed when executed by noded.
E0008	Command succeeded when executed by noded.
E0010	Programmer's development error (must not be seen in production code)
E0011	Allocated buffer is too small.
E0012	Programmer's error: pass empty array to Init() - must not be seen in production code
E0013	Programmer's error: pass NULL to a function
E0014	Programmer's error: pass empty context to Init() - must not be seen in production code
E0021	Input data is in error
E0022	Input data is in valid
E0023	Input parameter(s) is in error
E0024	Input argument(s) is in error
E0025	Error code not found.
E0100	Command: unsupported (unrecognized)
E0101	Command: this command is not implemented yet
E0102	Command: subcommand is unsupported (unrecognized subcommand).
E0103	Command: subcommand is not implemented yet.
E0104	Command: option is invalid or not supported.
E0105	Command: support for this option is not implemented yet

Error Code	Error Message
E0106	Command: data validation is not implemented yet
E0107	Command: do-function is not implemented yet
E0108	Command is not specified.
E0109	One or more required options are missing.
E0110	Option is incompatible with another option specified earlier.
E0111	Option is not supported on this system!
E0120	Option required a value but the value was not specified.
E0121	Option does not have a value
E0122	Option has invalid value
E0123	Command cannot be in file
E0124	Command must have at least one option specified!
E0129	Option has values that are mutually exclusive.
E0130	Two or more mutually exclusive options are specified!
E0131	Must specify one of the mutually exclusive options!
E0132	Command was cancelled successfully as requested!
E0133	Command was not sent to noded!
E0134	Request was submitted. The result may take a few minutes.
E0140	The function is not implemented yet.
E0200	Command is not supported in Web Services
E0300	Exception caught in SYS Init method
E0301	Exception caught in SYS Run method
E0302	Exception caught in WSS Convert method
E0303	Exception caught in WSS Run method
E0304	Exception caught in WSC Init method
E0305	Exception caught in WSC Run method
E0306	Exception caught in syscli main.
E0307	Exception caught in QSys function.
E0310	Exception caught in ShareCache class.
E0311	Exception caught in ShareConfig class.
E0312	Exception caught in retrieving share replication information.
E0313	Exception caught in reading share info.

Error Code	Error Message
E0314	Exception caught
E0315	Caught unknown exception
E0316	Caught Seer-has-no-answer exception
E0317	Exception caught in creating an event
E0318	Exception caught in command mapping
E0319	Exception caught in updating event
E0320	Exception caught in deleting event
E0321	Exception caught in getting events
E0322	Exception caught in modifying event
E0323	Exception caught in scheduling event
E0500	Must specify filename after "--file" option.
E0551	The command option file is not found.
E0552	Cannot access the command option file.
E0553	The command option file is empty.
E0554	Failed to open command option file.
E0555	The command option file contains an option that does not start with a double dash.
E0556	The command option file has no value after an equal sign.
E0557	Option file does not contain any option
E0558	First option in option file is invalid.
E0559	Missing double quote in option file.
E0560	File data must be specified on the fly if filename is "@@".
E0600	Must specify filename after "--outfile" option.
E0601	Failed to create output file. Output is displayed on stdout.
E0602	Failed to create error file. Errors are displayed on stderr.
E0603	Option --apicallname must be followed by a value (name of API caller).
E0604	Not enough values are specified after option!
E0611	Failed to read/get option "terse".
E0612	Failed to write/set option "terse".
E0621	Option "namematch" requires a value.
E0622	Option "namematch" has invalid value.

Error Code	Error Message
E0623	Failed to read/get option "namematch".
E0624	Failed to write/set option "namematch".
E0650	Restricted shell: Filename cannot contain '/'; it must be in current working directory!
E0700	Program syscli does not have the setuid-on-execution bit set.
E0701	User does not have admin privilege to run this command.
E0702	User does not have viewing privilege to run this command.
E0703	User credential expired. User needs to login again.
E0704	User credential is invalid.
E0705	Unknown username.
E0706	User credential cache was not found.
E0707	User credential is not cacheable.
E0708	User credential is never initialized (programmer's error).
E0709	User credential is unknown (cannot be determined).
E0710	User credential cache is ambiguous and unuseable!
E0711	User unsupported.
E0712	User does not have the admin privilege to change/reset password.
E0720	Session expired. User needs to login again
E0721	User needs to log on first
E0722	User needs to re-log on because the session has expired
E0730	Credential invalid (NULL).
E0731	Credential token invalid.
E0732	Credential ID invalid.
E0733	Failed to encrypt credential token.
E0734	Missing credential token after option --credtoken!
E0735	Option --credtoken <credential_token> must be specified explicitly to the command!
E0740	Credential not found or already expired. User needs to login again!
E0741	Error reading credential.
E0742	Error writing credential.
E0743	Cannot remove credential.

Error Code	Error Message
E0744	Cannot open Credential DB for cleanup.
E0745	Error locking credential database. Try again later!
E0760	Failed to read group file.
E0761	Unsupported user type.
E0762	User credential has wrong owner.
E0780	Process token cache was not cached!
E0781	Process token cannot be cached!
E0782	Process token cache is ambiguous and unuseable!
E0800	Nodeclient failed to open logfile
E0801	Nodeclient failed to get noded server IP address
E0802	Nodeclient failed to open socket
E0803	Nodeclient failed to connect to noded server.
E0804	Nodeclient failed to send command to noded server
E0805	Nodeclient failed to receive command status from noded server
E0806	Nodeclient failed to receive command output from noded server
E0807	Nodeclient failed to send acknowledgment to noded server
E0820	Failed to reload noded daemon!
E0900	Failed to start PAM authentication
E0901	Authentication failed.
E0902	Setting password failed.
E0903	New passwords entered twice do not match
E1200	Argument is a null pointer
E1201	Argument passed in as a null pointer
E1202	Address of a pointer is passed into a function as NULL
E1203	Address of an array is passed into a function as NULL
E1204	XML data pointer is NULL
E1250	Memory allocation failed.
E1300	Failed to create a new directory.
E1301	Failed access directory.
E1302	Failed to remove directory.

Error Code	Error Message
E1303	Directory is empty.
E1304	Directory entry was not found.
E1400	File: Failed to create a new file.
E1401	File: Failed to open.
E1402	File: Failed to open for read.
E1403	File: Failed to open for write.
E1404	File: Failed to open for append.
E1412	File: Failed to read data
E1413	File: Failed to write data
E1414	File: Failed to delete file.
E1415	File: Failed to copy file.
E1416	File: Failed to acquire write-lock on file.
E1417	File: Failed to acquire read-lock on file.
E1418	File: Failed to back up file.
E1419	File: Failed to restore backup file.
E1420	File is empty.
E1421	File is read-only.
E1422	File does not exist.
E1423	File has incorrect permissions
E1424	File has no specified section
E1425	File: Failed to rename.
E1426	Filename is missing.
E1430	File: Failed to open log file.
E1431	File: Failed to open syscli.log.
E1432	File: Failed to open signal.log.
E1450	Unable to send signal to process
E1451	Unable to get process ID
E1452	Invalid process ID
E1453	Destination process is not running
E1454	Process name is missing
E1500	Program aborted by interrupt signal

Error Code	Error Message
E1501	Program aborted by delayed interrupt signal
E1502	Program aborted by segmentation fault (SIGSEGV)!
E1503	Failed to spawn child process
E1600	Section is not found.
E1601	Key is not found.
E1602	Parameter not found.
E1603	Parameter not found in the specified section.
E1604	Value is not found.
E1605	Key value pair is not found.
E2000	This command requires admin privilege to run.
E2001	This command requires monitoring privilege to run.
E3001	Locking: null pointer
E3002	Locking: invalid openfile type
E3003	Locking: invalid parameter
E3004	Locking: memory allocation failed
E3005	Locking: failed to open lock file
E3006	Locking: failed to close lock file
E3007	Locking: failed to set lock
E3008	Locking: failed to get lock info
E3009	Locking: failed to unlock file
E3010	Locking failed because file was locked by another process! Try again later.
E3011	Locking: dead lock
E3012	Locking: resource is not locked!
E3013	Locking: resource filename is invalid!
E3014	Locking: resource filename is a NULL pointer!
E3015	Locking: resource filename is missing (empty)!
E3030	Locking: no mapping from locking library error to sys error!
E3101	Decryption: source string is not encrypted.
E4000	syscli has no option.
E4001	Option --debuglevel has invalid value!
E4002	Option --sleepatleast has invalid value!

Error Code	Error Message
E4003	Option --sleepatleast requires a value!
E4004	Option --primary_pid requires a value!
E4005	Failed to determine node ID of this node (check /hurricane/ node)
E4006	Option --onnode is not supported on single node system!
E4007	Option --onnode requires a value!
E4008	Option --onnode has a wrong value!
E4009	Error code not found! Must update libCommonUtil.so, libCommonApi.so, or other shared libraries that use syscli error codes!
E4010	Command ID not found in database!
E4011	Option --outputlevel has invalid value!
E4020	Option --primary_uid requires a value!
E4021	Option --primary_euid requires a value!
E4022	Option --primary_gid requires a value!
E4023	Option --primary_egid requires a value!
E4024	Option --primary_hostname requires a value!
E4025	Option --primary_homedir requires a value!
E4026	Option --primary_cwd requires a value!
E4030	Option --lockwait has invalid value (syntax: --lockwait <number_of_seconds>)!
E4031	Option --lockwait requires a value (syntax: --lockwait <number_of_seconds>)!
E5001	Task is being executed
E5002	Task is queued waiting for execution
E110001	NAS features are not licensed!
E110002	VTL features are not licensed!
E110003	OST features are not licensed!
E110004	PTT features are not licensed!
E110005	NDMP PTT features are not licensed!
E110006	Dedup features are not licensed!
E110007	Replication features are not licensed!
E110008	Capacity features are not licensed!

Error Code	Error Message
E110009	Neither NDMP PTT or OST features are licensed!
E110020	Failed to check license!
E110021	Feature not licensed!
E111001	Feature "Connect EMC" is not supported on this system!
E111002	Feature "Email Home" is not supported on this system!
E111003	Feature "iSCSI" is not supported on this system!
E111004	Feature "NPIV" is not supported on this system!
E111005	Feature "FC Switch" is not supported on this system!
E111006	Feature "Integrated Path-To-Tape" is not supported on this system!
E111007	Feature "Private VTDs for ShadowCopy Path2Tape" is not supported on this system!
E111008	Feature "NDMP Path-To-Tape" is not supported on this system!
E111009	Feature "NAS" is not supported on this system!
E111010	Feature "global dedup/backup window config" is not supported on this system!
E111011	Feature "global replication config" is not supported on this system!
E111012	Feature "all initiators to all targets dev mapping" is not supported on this system!
E111013	Feature "vDisk" is not supported on this system!
E111014	Feature "VTL VPD page 0xEF support for Networker" is not supported on this system!
E111015	Feature "Storage Array Diagnostics" is not supported on this system!
E111016	Feature "Replication from triggering AutoUnPack" is not supported on this system!
E111017	Feature "OST" is not supported on this system!
E111018	Feature "Network Segmentation" is not supported on this system!
E111019	Feature "IPv6" is not supported on this system!
E111020	Feature "VTL" is not supported on this system!
E111021	Feature "License Key" is not supported on this system!
E111022	Feature "Deduplication" is not supported on this system!

Error Code	Error Message
E111023	Feature "Replication" is not supported on this system!
E111024	Feature "Storage Capacity" is not supported on this system!
E111025	Feature "RAID Performance Display" is not supported on this system!
E111026	Feature "Backup Apps Display" is not supported on this system!
E111027	Feature "Vision DXi" is not supported on this system!
E111028	Feature "Vision DXi for Service" is not supported on this system!
E111029	Feature "LCD" is not supported on this system!
E111030	Feature "CCL" is not supported on this system!
E111031	Feature "GC Scheduled Stop Time" is not supported on this system!
E111032	Feature "DRO" is not supported on this system!
E111040	Multinode is not supported on this system!
E111041	Storage Array is not supported on this system!
E111042	Ethernet Switch is not supported on this system!
E111043	Boot Disk is not supported on this system!
E111044	Compression Adapter is not supported on this system!
E111045	FC Adapter is not supported on this system!
E111046	Network Port is not supported on this system!
E111047	10G Ethernet network configurations options are not supported!
E111048	1G Ethernet network configurations options are not supported!
E111049	Advanced options are not enabled!
E111050	Feature Dummy is not supported on this system!
E111051	Feature "no_root_squash" for NFS shares is not supported on this system!
E111052	Feature Accent is not supported on this system!
E111053	Feature AIS Connect is not supported on this system!
E120001	Unable to load Seer
E130001	Missing decimal point in IPv4 address
E130002	Missing decimal value in IPv4 address

Error Code	Error Message
E130003	Invalid characters in IPv4 address
E130004	The decimal value in IPv4 address is out of range
E130005	The IPv6 address is invalid
E130006	The IP address is too long
E130007	The IP address is too short
E130008	The IPv6 address has too many colons
E130009	The IPv6 address has no colons
E130010	The IP address has invalid characters
E130011	The IPv6 address has too many hexadecimal digits
E130012	The IPv6 address has too many double colons
E130013	The IPv6 bitcount/NetId is not a decimal value
E130014	The IPv6 bitcount/NetId is out of range
E130015	IP Address has invalid format
E130016	Cannot derive hostname from IP Address
E130017	IP Address missing!
E130018	Invalid value for number of netmask bits
E130019	Too many decimal points in IPv4 address
E130020	Leading decimal number in IPv4 address is missing!
E130021	Ending decimal number in IPv4 address is missing!
E130022	Missing decimal number between decimal points in IPv4 address
E140001	Emailaddress entered is empty.
E140002	Emailaddress entered has invalid characters.
E140003	Missing '@' in emailaddress entered.
E140004	Username is missing in the email address.
E140005	Domain Name or Host Name is missing in the email address.
E140006	Too many '@' signs in emailaddress entered.
E140007	Must use dotted decimal domain name notation such as abc.com
E140008	Domain name cannot begin with a dot.
E140401	Hostname Invalid.
E140402	Hostname cannot start or end with special characters.

Error Code	Error Message
E140403	Fully qualified hostname invalid.
E140404	Fully qualified hostname cannot contain consecutive dots.
E140405	Fully qualified hostname cannot start or end with special characters.
E140406	Hostname missing.
E140407	Failed to resolve hostname.
E140801	The date cannot be empty.
E140802	The date is invalid.
E140803	The day is out of range.
E140806	The month is out of range.
E140807	The year is out of range.
E140808	The day is invalid for the given month.
E140809	The year is invalid.
E140810	The month is invalid.
E140811	The day is invalid.
E140812	The date string contains invalid trailing characters.
E140813	Date string has too many dashes!
E140814	Date string has too many slashes!
E140815	Cannot mix "/" and "-" in date time string!
E140816	Date string, when specified as a single integer, must contain 4, 6, or digits (mmdd, yymmdd, yyyyymmdd)!
E140817	Date is in wrong format. Correct format is yyyy/mm/dd, yyyy-mm-dd, yyyyymmdd (or mm/dd, mm-dd, mmdd if current year is assumed)!
E140820	The year and month are of range!
E140821	The year and day are of range!
E140822	The month and day are of range!
E140823	The year and month and day are of range!
E140900	Missing date in date time string!
E140901	Date time string is empty!
E140902	Date time string is invalid!
E140903	Date time string contains invalid character(s)!
E140905	Invalid characters after the date part!

Error Code	Error Message
E140950	Time string has too many decimal points!
E140951	Time string has too many colons!
E140952	Time string has invalid fractional part.
E140953	Time string has too many suffixes AM or PM.
E140954	Cannot specify fraction of second!
E140955	Fraction can only specified in HH:MM:SS.fraction format!
E140956	Cannot specify time!
E140957	Cannot specify minutes!
E140958	Cannot specify seconds!
E140959	Invalid characters after the time!
E140960	Display format for time is unknown!
E141201	The number is invalid.
E141202	The number is out of range.
E141203	The number string is not numeric.
E141204	The number string is missing.
E142001	Cluster Manager node error.
E142002	Stats file open error.
E142003	Stats file read error.
E142004	Stats file seek error.
E142005	Failed to read OST stats from XML File.
E142006	Exception generated when parsing OSTd stats XML.
E142007	Failed to read BPW stats from XML File.
E142008	Exception generated when parsing BPWd stats XML.
E142401	Exception generated when parsing seer file.
E142402	Failed to read AIS Connect value from seer.
E142403	Failed to execute AIS Connect script file.
E142404	Failed to open or execute AIS Connect script file.
E143001	Filesystem /Q is not mounted!
E143002	Directory /Q/shares is not available!
E143003	Directory /Q/partitions is not available!
E143004	Failed to read directory /Q/shares!

Error Code	Error Message
E143005	Failed to read directory /Q/partitions!
E144001	Blockpool shares database not found!
E144002	Failed to open Blockpool shares database to read!
E144003	Failed to read Blockpool shares database!
E145001	BPW msgclient failed to connect to server!
E145002	BPW msgclient failed to get per-share statistics!
E146001	Sharition is missing from BPW DB
E146002	Invalid sharename
E146003	Failed to get share path.
E146004	Failed to get inode and gen of share
E146005	Failed to get share attributes
E146006	Failed to update share attributes
E146010	Cannot enable allowlinks attribute for replication-enabled share.
E150001	Failed to lock resource before updating counter!
E150002	Failed to update counter!
E1000001	Querytool failed to run!
E1000002	Replication conf file was not found!
E1000003	Failed to open NAS Shares DB!
E1000004	Failed to create a temporary NAS Shares DB!
E1000005	Failed to update NAS Shares DB!
E1000010	Failed to get CIFS server status!
E1000011	CIFS server is disabled!
E1000012	CIFS server is currently in workgroup!
E1000013	CIFS server is currently not in workgroup!
E1000014	CIFS server is required to be in workgroup!
E1000020	CIFS server is currently in Active Directory domain!
E1000021	CIFS server is currently not in Active Directory domain!
E1000022	CIFS server is required to be in Active Directory domain!
E1000023	CIFS share: Option "squash" is not supported!
E1000024	CIFS share: Option "anonuid" is not supported!
E1000025	CIFS share: Option "anongid" is not supported!

Error Code	Error Message
E1000030	Failed to get CIFS configuration!
E1000031	Failed to get CIFS domain setting!
E1000032	The domain type is invalid or not supported.
E1000033	No CIFS shares exist!
E1000035	User name for domain is missing.
E1000036	User name is missing domain name prefix.
E1000040	Failed to get NFS status!
E1000041	Failed to configure NFS!
E1000042	Failed to get NFS configuration!
E1000043	NFS share: Option "hidden" is not supported!
E1000044	NFS share: Option "namecase" is not supported!
E1000045	NFS share: Failed to get NFS commit attribute from BPWAPI
E1000046	NFS share: Failed to set NFS commit attribute in NAS DB!
E1000047	No NFS shares exist!
E1000050	Workgroup user database (smb database) not found!
E1000051	Workgroup user not found in smb database (smbpasswd)!
E1000052	Workgroup user not found in local database (passwd)!
E1000053	Workgroup user does not exist!
E1000054	Workgroup user database corrupt (SMB and local databases mismatch)!
E1000055	Workgroup name is invalid!
E1000060	This command supports CIFS shares only!
E1000061	This command supports NFS shares only!
E1000062	This command supports workgroup only (the server must be joined to a workgroup).
E1000063	This command supports ADS domain only (the server must be joined to an ADS domain).
E1000070	DNS was not set up correctly!
E1000071	DNS was completely unreachable!
E1000072	DNS was intermittently unreachable!
E1000073	DNS IP address is not a DNS server!
E1000080	Domain name not found!

Error Code	Error Message
E1000090	Failed to get share list!
E1000091	Failed to create a master share cache!
E1000092	Failed to creat a sorted share cache!
E1000093	Failed to open share cache file!
E1000094	Failed to read cache file!
E1000095	No share cache file available!
E1000096	Master cache file for NAS shares not found!
E1000097	Share access cache file not found!
E1000098	Failed to update share cache.
E1000099	NAS caching is disabled!
E1000100	Failed to query SMB settings!
E1000101	The specified name is not a global SMB parameter!
E1000102	The specified name is not a valid SMB parameter!
E1000103	The specified value is not valid for this parameter!
E1000104	The specified value is not a decimal number!
E1000105	The specified value is not a number!
E1000106	The specified value is not an octal number!
E1000107	The specified value is not a boolean!
E1000120	Share configuration database is corrupt.
E1000121	Share is missing from NAS database!
E1000122	Share is missing from Replication database!
E1000123	Share is missing from Blockpool shares database!
E1000124	Share is corrupt
E1000131	Share directory not found!
E1000132	NAS shares database not found!
E1000133	Replication configuration not found!
E1000401	JoinWorkgroup: Option "join" is missing.
E1000402	JoinWorkgroup: Option "join" requires a value
E1000403	JoinWorkgroup: Option "join" has invalid value
E1000404	JoinWorkgroup: Failed to read/get option "join".
E1000405	JoinWorkgroup: Failed to write/set option "join".

Error Code	Error Message
E1000411	JoinWorkgroup: Option "name" is missing.
E1000412	JoinWorkgroup: Option "name" requires a value
E1000413	JoinWorkgroup: Option "name" has invalid value
E1000414	JoinWorkgroup: Failed to read/get option "name".
E1000415	JoinWorkgroup: Failed to write/set option "name".
E1000416	JoinWorkgroup: Value of option "name" is too long
E1000431	JoinWorkgroup failed!
E1000432	JoinWorkgroup: Failed to join workgroup!
E1000801	JoinAds: Option "join" is missing.
E1000802	JoinAds: Option "join" requires a value
E1000803	JoinAds: Option "join" has invalid value
E1000804	JoinAds: Failed to read/get option "join".
E1000805	JoinAds: Failed to write/set option "join".
E1000811	JoinAds: Option "domain" is missing.
E1000812	JoinAds: Option "domain" requires a value
E1000813	JoinAds: Option "domain" has invalid value
E1000814	JoinAds: Failed to read/get option "domain".
E1000815	JoinAds: Failed to write/set option "domain".
E1000821	JoinAds: Option "org" is missing.
E1000822	JoinAds: Option "org" requires a value
E1000823	JoinAds: Option "org" has invalid value
E1000824	JoinAds: Failed to read/get option "org".
E1000825	JoinAds: Failed to write/set option "org".
E1000826	JoinAds: Option "org" is required because another optional option is specified!
E1000831	JoinAds: Option "pdc" is missing.
E1000832	JoinAds: Option "pdc" is required because another optional option is specified!
E1000833	JoinAds: Option "pdc" requires a value
E1000834	JoinAds: Option "pdc" has invalid value
E1000835	JoinAds: Failed to read/get option "pdc".
E1000836	JoinAds: Failed to write/set option "pdc".

Error Code	Error Message
E1000841	JoinAds: Option "admin" is missing.
E1000842	JoinAds: Option "admin" requires a value
E1000843	JoinAds: Option "admin" has invalid value
E1000844	JoinAds: Failed to read/get option "admin".
E1000845	JoinAds: Failed to write/set option "admin".
E1000851	JoinAds: Option "password" is missing.
E1000852	JoinAds: Option "password" requires a value
E1000853	JoinAds: Option "password" has invalid value
E1000854	JoinAds: Failed to read/get option "password".
E1000855	JoinAds: Failed to write/set option "password".
E1000856	JoinAds: Option "password" is required because another optional option is specified!
E1000861	JoinAds: Option "prewin2kdomain" requires a value
E1000862	JoinAds: Option "prewin2kdomain" has invalid value
E1000863	JoinAds: Failed to read/get option "prewin2kdomain".
E1000864	JoinAds: Failed to write/set option "prewin2kdomain".
E1000871	JoinAds failed!
E1000872	Failed to join ADS domain!
E1000873	Failed to log on to join ADS domain because of bad credential!
E1001201	DisjoinWorkgroup: Option "disjoin" is missing.
E1001202	DisjoinWorkgroup: Option "disjoin" requires a value
E1001203	DisjoinWorkgroup: Option "disjoin" has invalid value
E1001204	DisjoinWorkgroup: Failed to read/get option "disjoin".
E1001205	DisjoinWorkgroup: Failed to write/set option "disjoin".
E1001211	DisjoinWorkgroup: Option "name" is missing.
E1001212	DisjoinWorkgroup: Option "name" requires a value
E1001213	DisjoinWorkgroup: Option "name" has invalid value
E1001214	DisjoinWorkgroup: Failed to read/get option "name".
E1001215	DisjoinWorkgroup: Failed to write/set option "name".
E1001231	DisjoinWorkgroup failed!
E1001232	DisjoinWorkgroup: failed to disjoin workgroup

Error Code	Error Message
E1001601	DisjoinAds: Option "disjoin" is missing.
E1001602	DisjoinAds: Option "disjoin" requires a value
E1001603	DisjoinAds: Option "disjoin" has invalid value
E1001604	DisjoinAds: Failed to read/get option "disjoin".
E1001605	DisjoinAds: Failed to write/set option "disjoin".
E1001611	DisjoinAds: Option "admin" is missing.
E1001612	DisjoinAds: Option "admin" requires a value
E1001613	DisjoinAds: Option "admin" has invalid value
E1001614	DisjoinAds: Failed to read/get option "admin".
E1001615	DisjoinAds: Failed to write/set option "admin".
E1001616	DisjoinAds: Option "admin" is required because --password is specified.
E1001621	DisjoinAds: Option "password" is missing.
E1001622	DisjoinAds: Option "password" requires a value
E1001623	DisjoinAds: Option "password" has invalid value
E1001624	DisjoinAds: Failed to read/get option "password".
E1001625	DisjoinAds: Failed to write/set option "password".
E1001641	DisjoinAds failed!
E1001642	DisjoinAds: Failed to disjoin Active Directory domain!
E1002001	GetstatusCifs: Option "getstatus" is missing.
E1002002	GetstatusCifs: Option "getstatus" requires a value
E1002003	GetstatusCifs: Option "getstatus" has invalid value
E1002004	GetstatusCifs: Failed to read/get option "getstatus".
E1002005	GetstatusCifs: Failed to write/set option "getstatus".
E1002006	GETSTATUSCIFS failed.
E1002007	CIFS is disabled because node is not in the cluster!
E1002401	GetstatusNfs: Option "getstatus" is missing.
E1002402	GetstatusNfs: Option "getstatus" requires a value
E1002403	GetstatusNfs: Option "getstatus" has invalid value
E1002404	GetstatusNfs: Failed to read/get option "getstatus".
E1002405	GetstatusNfs: Failed to write/set option "getstatus".
E1002406	GETSTATUSNFS failed.

Error Code	Error Message
E1002801	AddShare: Option "add" is missing.
E1002802	AddShare: Option "add" requires a value
E1002803	AddShare: Option "add" has invalid value
E1002804	AddShare: Failed to read/get option "add".
E1002805	AddShare: Failed to write/set option "add".
E1002811	AddShare: Option "name" is missing.
E1002812	AddShare: Option "name" requires a value
E1002813	AddShare: Option "name" has invalid value
E1002814	AddShare: Failed to read/get option "name".
E1002815	AddShare: Failed to write/set option "name".
E1002816	AddShare: Value of option "name" is too long
E1002821	AddShare: Option "proto" is missing.
E1002822	AddShare: Option "proto" requires a value
E1002823	AddShare: Option "proto" has invalid value
E1002824	AddShare: Failed to read/get option "proto".
E1002825	AddShare: Failed to write/set option "proto".
E1002831	AddShare: Option "desc" is missing.
E1002832	AddShare: Option "desc" requires a value
E1002833	AddShare: Option "desc" has invalid value
E1002834	AddShare: Failed to read/get option "desc".
E1002835	AddShare: Failed to write/set option "desc".
E1002836	AddShare: Value of option "desc" is too long
E1002837	AddShare: Option "desc" is required because another optional option is specified!
E1002841	AddShare: Option "ro" is missing.
E1002842	AddShare: Option "ro" is required because another optional option is specified!
E1002843	AddShare: Failed to read/get option "ro".
E1002844	AddShare: Failed to write/set option "ro".
E1002851	AddShare: Option "hidden" is missing.
E1002852	AddShare: Option "hidden" is required because another optional option is specified!

Error Code	Error Message
E1002853	AddShare: Failed to read/get option "hidden".
E1002854	AddShare: Failed to write/set option "hidden".
E1002861	AddShare: Option "dedup" is missing.
E1002862	AddShare: Option "dedup" is required because another optional option is specified!
E1002863	AddShare: Failed to read/get option "dedup".
E1002864	AddShare: Failed to write/set option "dedup".
E1002871	AddShare: Option "startbackup" is missing.
E1002872	AddShare: Option "startbackup" is required because another optional option is specified!
E1002873	AddShare: Option "startbackup" requires a value
E1002874	AddShare: Option "startbackup" has invalid value
E1002875	AddShare: Failed to read/get option "startbackup".
E1002876	AddShare: Failed to write/set option "startbackup".
E1002881	AddShare: Option "endbackup" is missing.
E1002882	AddShare: Option "endbackup" is required because another optional option is specified!
E1002883	AddShare: Option "endbackup" requires a value
E1002884	AddShare: Option "endbackup" has invalid value
E1002885	AddShare: Failed to read/get option "endbackup".
E1002886	AddShare: Failed to write/set option "endbackup".
E1002891	AddShare: Option "namecase" requires a value
E1002892	AddShare: Option "namecase" has invalid value
E1002893	AddShare: Failed to read/get option "namecase".
E1002894	AddShare: Failed to write/set option "namecase".
E1002900	The share description is too long
E1002901	The share description contains invalid characters
E1002902	The share name is empty!
E1002903	The share name is too long.
E1002904	The share name is invalid
E1002905	The first character of the share name is invalid.
E1002906	Share name cannot begin with spaces!

Error Code	Error Message
E1002907	Share name cannot contain trailing spaces!
E1002908	Share name cannot contain consecutive spaces!
E1002920	The number of shares already reaches the limit!
E1002921	The share does not exist!
E1002922	The share is not a NAS share!
E1002923	The share is not an OST share!
E1002924	The share does not support CIFS
E1002925	The share does not support NFS
E1002926	The share is currently locked by another process.
E1002927	The specified name already exists as an OST storage server (case-insensitive)
E1002928	The specified name already exists as a NAS share (case-insensitive)
E1002929	The specified storage server name already exists (case-insensitive)
E1002930	The specified NAS share name already exists (case-insensitive)
E1002940	The time format is invalid.
E1002941	The time value is missing!
E1002942	The hour is invalid (must begin with a decimal digit)!
E1002943	The minute is invalid (must begin with a decimal digit)!
E1002944	The hour is out of range!
E1002945	The minute is out of range!
E1002946	Missing colon in time value.
E1002947	The minute must follow the colon immediately!
E1002948	The time value is out of range!
E1002949	The time string has invalid trailing characters!
E1002950	The second is invalid (must begin with a decimal digit)!
E1002951	The second must follow the colon immediately!
E1002952	The second is out of range!
E1002953	The minute must be a number with two digits at most!
E1002954	The second must be a number with two digits at most!
E1002955	The hour must be a number with two digits at most!

Error Code	Error Message
E1002956	Bad colon at the end of the time!
E1002957	The time value is too large (exceeding 24 hours)!
E1002958	The time value is negative
E1002959	The time value has invalid character
E1002961	AddShare failed!
E1002962	AddShare failed to set up backup time window
E1002963	Share already exists in the combined NAS and OST database!
E1003001	AddShare: Failed to read/get option "squash".
E1003002	AddShare: Failed to write/set option "squash".
E1003003	AddShare: Option "squash" has invalid value
E1003011	AddShare: Option "anonuid" has invalid value
E1003012	AddShare: Failed to read/get option "anonuid"
E1003013	AddShare: Failed to write/set option "anonuid".
E1003014	AddShare: Option "anonuid" requires a value
E1003021	AddShare: Option "anongid" has invalid value
E1003022	AddShare: Failed to read/get option "anongid"
E1003023	AddShare: Failed to write/set option "anongid".
E1003024	AddShare: Option "anongid" requires a value
E1003100	AddShare: Web Services input does not support more than one share!
E1003201	ListShare: Option "list" is missing.
E1003202	ListShare: Option "list" requires a value
E1003203	ListShare: Option "list" has invalid value
E1003204	ListShare: Failed to read/get option "list".
E1003205	ListShare: Failed to write/set option "list".
E1003211	ListShare: Option "proto" is missing.
E1003212	ListShare: Option "proto" is required because another optional option is specified!
E1003213	ListShare: Option "proto" requires a value
E1003214	ListShare: Option "proto" has invalid value
E1003215	ListShare: Failed to read/get option "proto".
E1003216	ListShare: Failed to write/set option "proto".

Error Code	Error Message
E1003221	ListShare: Option "name" is missing.
E1003222	ListShare: Option "name" is required because another optional option is specified!
E1003223	ListShare: Option "name" requires a value
E1003224	ListShare: Option "name" has invalid value
E1003225	ListShare: Failed to read/get option "share".
E1003226	ListShare: Failed to write/set option "share".
E1003227	ListShare: Value of option "name" is too long
E1003231	ListShare: Option "namematch" requires a value
E1003232	ListShare: Option "namematch" has invalid value
E1003233	ListShare: Failed to read/get option "namematch".
E1003234	ListShare: Failed to write/set option "namematch".
E1003241	ListShare failed!
E1003242	Failed to open share database!
E1003261	ListShare failed to open file!
E1003300	ListShare: Web Services input does not support more than one share!
E1003601	DelShare: Option "del" is missing.
E1003602	DelShare: Option "del" requires a value
E1003603	DelShare: Option "del" has invalid value
E1003604	DelShare: Failed to read/get option "del".
E1003605	DelShare: Failed to write/set option "del".
E1003611	DelShare: Option "name" is missing.
E1003612	DelShare: Option "name" requires a value
E1003613	DelShare: Option "name" has invalid value
E1003614	DelShare: Failed to read/get option "name".
E1003615	DelShare: Failed to write/set option "name".
E1003616	DelShare: Value of option "name" is too long
E1003631	DelShare failed!
E1003632	Share does not exist!
E1003700	DelShare: Web Services input does not support more than one share!

Error Code	Error Message
E1004001	DeleteAllShare: Option "deleteall" is missing.
E1004002	DeleteAllShare: Option "deleteall" requires a value
E1004003	DeleteAllShare: Option "deleteall" has invalid value
E1004004	DeleteAllShare: Failed to read/get option "deleteall".
E1004005	DeleteAllShare: Failed to write/set option "deleteall".
E1004011	DeleteAllShare: Option "proto" is missing.
E1004012	DeleteAllShare: Option "proto" requires a value
E1004013	DeleteAllShare: Option "proto" has invalid value
E1004014	DeleteAllShare: Failed to read/get option "proto".
E1004015	DeleteAllShare: Failed to write/set option "proto".
E1004021	DeleteAllShare: Option "force" is missing.
E1004022	DeleteAllShare: Failed to read/get option "force".
E1004023	DeleteAllShare: Failed to write/set option "force".
E1004031	DeleteallShare: Option "namematch" requires a value
E1004032	DeleteallShare: Option "namematch" has invalid value
E1004033	DeleteallShare: Failed to read/get option "namematch".
E1004034	DeleteallShare: Failed to write/set option "namematch".
E1004041	DeleteAllShare failed!
E1004042	There are no shares to delete!
E1004043	There are no NFS shares to delete!
E1004044	There are no CIFS shares to delete!
E1004401	EditShare: Option "edit" is missing.
E1004402	EditShare: Option "edit" requires a value
E1004403	EditShare: Option "edit" has invalid value
E1004404	EditShare: Failed to read/get option "edit".
E1004405	EditShare: Failed to write/set option "edit".
E1004411	EditShare: Option "name" is missing.
E1004412	EditShare: Option "name" requires a value
E1004413	EditShare: Option "name" has invalid value
E1004414	EditShare: Failed to read/get option "name".
E1004415	EditShare: Failed to write/set option "name".

Error Code	Error Message
E1004416	EditShare: Value of option "name" is too long
E1004421	EditShare: Option "desc" is missing.
E1004422	EditShare: Option "desc" is required because another optional option is specified!
E1004423	EditShare: Option "desc" requires a value
E1004424	EditShare: Option "desc" has invalid value
E1004425	EditShare: Failed to read/get option "desc".
E1004426	EditShare: Failed to write/set option "desc".
E1004427	EditShare: Value of option "desc" is too long
E1004431	EditShare: Option "perms" is missing.
E1004432	EditShare: Option "perms" requires a value
E1004433	EditShare: Option "perms" has invalid value
E1004434	EditShare: Failed to read/get option "perms".
E1004435	EditShare: Failed to write/set option "perms".
E1004441	EditShare: Option "hidden" is missing.
E1004442	EditShare: Option "hidden" requires a value
E1004443	EditShare: Option "hidden" has invalid value
E1004444	EditShare: Failed to read/get option "hidden".
E1004445	EditShare: Failed to write/set option "hidden".
E1004451	EditShare: Option "startbackup" is missing.
E1004452	EditShare: Option "startbackup" requires a value
E1004453	EditShare: Option "startbackup" has invalid value
E1004454	EditShare: Failed to read/get option "startbackup".
E1004455	EditShare: Failed to write/set option "startbackup".
E1004461	EditShare: Option "endbackup" is missing.
E1004462	EditShare: Option "endbackup" requires a value
E1004463	EditShare: Option "endbackup" has invalid value
E1004464	EditShare: Failed to read/get option "endbackup".
E1004465	EditShare: Failed to write/set option "endbackup".
E1004471	EditShare: Failed to read/get option "reboot".
E1004472	EditShare: Failed to write/set option "reboot".
E1004481	EditShare failed!

Error Code	Error Message
E1004482	EditShare: Nothing to be changed!
E1004483	EditShare: Failed to reset backup time window!
E1004484	EditShare: Cannot specify backup window because dedup is disabled!
E1004485	EditShare: Failed to read/get option "restart".
E1004486	EditShare: Failed to write/set option "restart".
E1004491	EditShare: Option "reboot" is required because another optional option is specified!
E1004492	EditShare: Option "perms" is required because another optional option is specified!
E1004551	EditShare: Option "squash" requires a value
E1004552	EditShare: Option "squash" has invalid value
E1004553	EditShare: Failed to read/get option "squash".
E1004554	EditShare: Failed to write/set option "squash".
E1004561	EditShare: Option "anonuid" requires a value
E1004562	EditShare: Option "anonuid" has invalid value
E1004563	EditShare: Failed to read/get option "anonuid".
E1004564	EditShare: Failed to write/set option "anonuid".
E1004571	EditShare: Option "anongid" requires a value
E1004572	EditShare: Option "anongid" has invalid value
E1004573	EditShare: Failed to read/get option "anongid".
E1004574	EditShare: Failed to write/set option "anongid".
E1004581	EditShare: Option "namecase" requires a value
E1004582	EditShare: Option "namecase" has invalid value
E1004583	EditShare: Failed to read/get option "namecase".
E1004584	EditShare: Failed to write/set option "namecase".
E1004585	EditShare: Option "namecase" is required because another optional option is specified!
E1004801	AddUser: Option "add" is missing.
E1004802	AddUser: Option "add" requires a value
E1004803	AddUser: Option "add" has invalid value
E1004804	AddUser: Failed to read/get option "add".
E1004805	AddUser: Failed to write/set option "add".

Error Code	Error Message
E1004811	AddUser: Option "name" is missing.
E1004812	AddUser: Option "name" requires a value
E1004813	AddUser: Option "name" has invalid value
E1004814	AddUser: Failed to read/get option "name".
E1004815	AddUser: Failed to write/set option "name".
E1004816	AddUser: Value of option "name" is too long
E1004821	AddUser: Option "password" is missing.
E1004822	AddUser: Option "password" is required because another optional option is specified!
E1004823	AddUser: Option "password" requires a value
E1004824	AddUser: Option "password" has invalid value
E1004825	AddUser: Failed to read/get option "password".
E1004826	AddUser: Failed to write/set option "password".
E1004831	AddUser: Option "uid" is missing.
E1004832	AddUser: Option "uid" is required because another optional option is specified!
E1004833	AddUser: Option "uid" requires a value
E1004834	AddUser: Option "uid" has invalid value
E1004835	AddUser: Failed to read/get option "uid".
E1004836	AddUser: Failed to write/set option "uid".
E1004841	AddUser: Option "gid" is missing.
E1004842	AddUser: Option "gid" is required because another optional option is specified!
E1004843	AddUser: Option "gid" requires a value
E1004844	AddUser: Option "gid" has invalid value
E1004845	AddUser: Failed to read/get option "gid".
E1004846	AddUser: Failed to write/set option "gid".
E1004851	AddUser: Option "desc" is missing.
E1004852	AddUser: Option "desc" is required because another optional option is specified!
E1004853	AddUser: Option "desc" requires a value
E1004854	AddUser: Option "desc" has invalid value
E1004855	AddUser: Failed to read/get option "desc".

Error Code	Error Message
E1004856	AddUser: Failed to write/set option "desc".
E1004861	AddUser: Failed to read/get option "admin".
E1004862	AddUser: Failed to write/set option "admin".
E1004871	Username is empty!
E1004872	Username is too long!
E1004873	First character of username is invalid!
E1004874	Username contains invalid character(s)!
E1004875	User description is too long!
E1004876	User description contains invalid character(s)!
E1004877	User already exists!
E1004878	AddUser: Failed to read/get option "force".
E1004879	AddUser: Failed to write/set option "force".
E1004901	AddUser failed!
E1005201	ListUser: Option "list" is missing.
E1005202	ListUser: Option "list" requires a value
E1005203	ListUser: Option "list" has invalid value
E1005204	ListUser: Failed to read/get option "list".
E1005205	ListUser: Failed to write/set option "list".
E1005211	ListUser: Option "name" requires a value
E1005212	ListUser: Option "name" has invalid value
E1005213	ListUser: Failed to read/get option "name".
E1005214	ListUser: Failed to write/set option "name".
E1005221	ListUser: Option "namematch" requires a value
E1005222	ListUser: Option "namematch" has invalid value
E1005223	ListUser: Failed to read/get option "namematch".
E1005224	ListUser: Failed to write/set option "namematch".
E1005241	ListUser failed.
E1005242	Failed to get workgroup userlist!
E1005601	DelUser: Option "del" is missing.
E1005602	DelUser: Option "del" requires a value
E1005603	DelUser: Option "del" has invalid value

Error Code	Error Message
E1005604	DelUser: Failed to read/get option "del".
E1005605	DelUser: Failed to write/set option "del".
E1005611	DelUser: Option "name" is missing.
E1005612	DelUser: Option "name" requires a value
E1005613	DelUser: Option "name" has invalid value
E1005614	DelUser: Failed to read/get option "name".
E1005615	DelUser: Failed to write/set option "name".
E1005631	DelUser failed!
E1006001	DeleteAllUser: Option "deleteall" is missing.
E1006002	DeleteAllUser: Option "deleteall" requires a value
E1006003	DeleteAllUser: Option "deleteall" has invalid value
E1006004	DeleteAllUser: Failed to read/get option "deleteall".
E1006005	DeleteAllUser: Failed to write/set option "deleteall".
E1006011	DeleteAllUser: Option "force" is missing.
E1006012	DeleteAllUser: Failed to read/get option "force".
E1006013	DeleteAllUser: Failed to write/set option "force".
E1006031	DeleteAllUser failed!
E1006032	There are no workgroup users to delete!
E1006401	EditUser: Option "password" requires a value
E1006402	EditUser: Option "edit" is missing.
E1006403	EditUser: Option "edit" requires a value
E1006404	EditUser: Option "edit" has invalid value
E1006405	EditUser: Failed to read/get option "edit".
E1006406	EditUser: Failed to write/set option "edit".
E1006411	EditUser: Option "name" is missing.
E1006412	EditUser: Option "name" requires a value
E1006413	EditUser: Option "name" has invalid value
E1006414	EditUser: Failed to read/get option "name".
E1006415	EditUser: Failed to write/set option "name".
E1006421	EditUser: Option "password" is missing.
E1006422	EditUser: Option "password" is required because another optional option is specified!

Error Code	Error Message
E1006423	EditUser: Option "password" has invalid value
E1006424	EditUser: Failed to read/get option "password".
E1006425	EditUser: Failed to write/set option "password".
E1006431	EditUser: Option "desc" is missing.
E1006432	EditUser: Option "desc" is required because another optional option is specified!
E1006433	EditUser: Option "desc" requires a value
E1006434	EditUser: Option "desc" has invalid value
E1006435	EditUser: Failed to read/get option "desc".
E1006436	EditUser: Failed to write/set option "desc".
E1006441	EditUser: Option "admin" requires a value
E1006442	EditUser: Option "admin" has invalid value
E1006443	EditUser: Failed to read/get option "admin".
E1006444	EditUser: Failed to write/set option "admin".
E1006451	EditUser failed!
E1006452	Must specify one or more options to change: --password, --admin, or --desc!
E1006801	AddShareAdmin: Option "add" is missing.
E1006802	AddShareAdmin: Option "add" requires a value
E1006803	AddShareAdmin: Option "add" has invalid value
E1006804	AddShareAdmin: Failed to read/get option "add".
E1006805	AddShareAdmin: Failed to write/set option "add".
E1006811	AddShareAdmin: Option "name" is missing.
E1006812	AddShareAdmin: Option "name" requires a value
E1006813	AddShareAdmin: Option "name" has invalid value
E1006814	AddShareAdmin: Failed to read/get option "name".
E1006815	AddShareAdmin: Failed to write/set option "name".
E1006831	AddShareAdmin failed!
E1006832	AddShareAdmin: Failed to add share admin user.
E1006901	Share admin database not found!
E1006902	Share admin does not exist
E1006903	Share admin already exists

Error Code	Error Message
E1006904	The specified username is not a domain user!
E1007201	ListShareAdmin: Option "list" is missing.
E1007202	ListShareAdmin: Option "list" requires a value
E1007203	ListShareAdmin: Option "list" has invalid value
E1007204	ListShareAdmin: Failed to read/get option "list".
E1007205	ListShareAdmin: Failed to write/set option "list".
E1007220	ListShareAdmin failed.
E1007221	Failed to get the share admin list.
E1007222	Failed to open and lock a file for reading.
E1007601	DelShareAdmin: Option "del" is missing.
E1007602	DelShareAdmin: Option "del" requires a value
E1007603	DelShareAdmin: Option "del" has invalid value
E1007604	DelShareAdmin: Failed to read/get option "del".
E1007605	DelShareAdmin: Failed to write/set option "del".
E1007611	DelShareAdmin: Option "name" is missing.
E1007612	DelShareAdmin: Option "name" requires a value
E1007613	DelShareAdmin: Option "name" has invalid value
E1007614	DelShareAdmin: Failed to read/get option "name".
E1007615	DelShareAdmin: Failed to write/set option "name".
E1007631	DelShareAdmin failed!
E1007632	The built-in domain admin user/group is undeleteable.
E1008001	DeleteAllShareAdmin: Option "deleteall" is missing.
E1008002	DeleteAllShareAdmin: Option "deleteall" requires a value
E1008003	DeleteAllShareAdmin: Option "deleteall" has invalid value
E1008004	DeleteAllShareAdmin: Failed to read/get option "deleteall".
E1008005	DeleteAllShareAdmin: Failed to write/set option "deleteall".
E1008011	DeleteAllShareAdmin: Option "force" is missing.
E1008012	DeleteAllShareAdmin: Failed to read/get option "force".
E1008013	DeleteAllShareAdmin: Failed to write/set option "force".
E1008031	DeleteAllShareAdmin failed!
E1008032	There are no share admin users to delete!

Error Code	Error Message
E1008033	There are no deleteable share admin users to delete!
E1008401	AddShareUser: Option "add" is missing.
E1008402	AddShareUser: Option "add" requires a value
E1008403	AddShareUser: Option "add" has invalid value
E1008404	AddShareUser: Failed to read/get option "add".
E1008405	AddShareUser: Failed to write/set option "add".
E1008411	AddShareUser: Option "share" is missing.
E1008412	AddShareUser: Option "share" requires a value
E1008413	AddShareUser: Option "share" has invalid value
E1008414	AddShareUser: Failed to read/get option "share".
E1008415	AddShareUser: Failed to write/set option "share".
E1008416	AddShareuser: Value of option "share" is too long
E1008421	AddShareUser: Option "user" is missing.
E1008422	AddShareUser: Option "user" requires a value
E1008423	AddShareUser: Option "user" has invalid value
E1008424	AddShareUser: Failed to read/get option "user".
E1008425	AddShareUser: Failed to write/set option "user".
E1008426	AddShareuser: Value of option "user" is too long
E1008431	AddShareUser: Option "rw" is missing.
E1008432	AddShareUser: Option "rw" is required because another optional option is specified!
E1008433	AddShareUser: Failed to read/get option "rw".
E1008434	AddShareUser: Failed to write/set option "rw".
E1008451	AddShareUser failed!
E1008500	The specified user is not found on this share!
E1008501	The specified user is already in share access list!
E1008801	ListShareUser: Option "list" is missing.
E1008802	ListShareUser: Option "list" requires a value
E1008803	ListShareUser: Option "list" has invalid value
E1008804	ListShareUser: Failed to read/get option "list".
E1008805	ListShareUser: Failed to write/set option "list".
E1008811	ListShareUser: Option "share" is missing.

Error Code	Error Message
E1008812	ListShareUser: Option "share" requires a value
E1008813	ListShareUser: Option "share" has invalid value
E1008814	ListShareUser: Failed to read/get option "share".
E1008815	ListShareUser: Failed to write/set option "share".
E1008816	ListShareuser: Value of option "share" is too long
E1008831	ListShareUser failed!
E1009201	DelShareUser: Option "del" is missing.
E1009202	DelShareUser: Option "del" requires a value
E1009203	DelShareUser: Option "del" has invalid value
E1009204	DelShareUser: Failed to read/get option "del".
E1009205	DelShareUser: Failed to write/set option "del".
E1009211	DelShareUser: Option "share" is missing.
E1009212	DelShareUser: Option "share" requires a value
E1009213	DelShareUser: Option "share" has invalid value
E1009214	DelShareUser: Failed to read/get option "share".
E1009215	DelShareUser: Failed to write/set option "share".
E1009216	DelShareuser: Value of option "share" is too long
E1009221	DelShareUser: Option "user" is missing.
E1009222	DelShareUser: Option "user" requires a value
E1009223	DelShareUser: Option "user" has invalid value
E1009224	DelShareUser: Failed to read/get option "user".
E1009225	DelShareUser: Failed to write/set option "user".
E1009226	DelShareuser: Value of option "user" is too long
E1009241	DelShareUser failed!
E1009601	DeleteAllShareUser: Option "deleteall" is missing.
E1009602	DeleteAllShareUser: Option "deleteall" requires a value
E1009603	DeleteAllShareUser: Option "deleteall" has invalid value
E1009604	DeleteAllShareUser: Failed to read/get option "deleteall".
E1009605	DeleteAllShareUser: Failed to write/set option "deleteall".
E1009611	DeleteAllShareUser: Option "share" is missing.
E1009612	DeleteAllShareUser: Option "share" requires a value

Error Code	Error Message
E1009613	DeleteAllShareUser: Option "share" has invalid value
E1009614	DeleteAllShareUser: Failed to read/get option "share".
E1009615	DeleteAllShareUser: Failed to write/set option "share".
E1009616	DeleteallShareuser: Value of option "share" is too long
E1009621	DeleteAllShareUser: Option "force" is missing.
E1009622	DeleteAllShareUser: Failed to read/get option "force".
E1009623	DeleteAllShareUser: Failed to write/set option "force".
E1009641	DeleteAllShareUser failed!
E1009642	Failed to get user access list!
E1009643	There are no users in user access list to delete!
E1010001	AddShareHost: Option "add" is missing.
E1010002	AddShareHost: Option "add" requires a value
E1010003	AddShareHost: Option "add" has invalid value
E1010004	AddShareHost: Failed to read/get option "add".
E1010005	AddShareHost: Failed to write/set option "add".
E1010011	AddShareHost: Option "share" is missing.
E1010012	AddShareHost: Option "share" requires a value
E1010013	AddShareHost: Option "share" has invalid value
E1010014	AddShareHost: Failed to read/get option "share".
E1010015	AddShareHost: Failed to write/set option "share".
E1010016	AddSharehost: Value of option "share" is too long
E1010021	AddShareHost: Option "host" is missing.
E1010022	AddShareHost: Option "host" is required because another optional option is specified!
E1010023	AddShareHost: Option "host" requires a value
E1010024	AddShareHost: Option "host" has invalid value
E1010025	AddShareHost: Failed to read/get option "host".
E1010026	AddShareHost: Failed to write/set option "host".
E1010027	AddSharehost: Value of option "host" is too long
E1010031	AddShareHost: Option "rw" is missing.
E1010032	AddShareHost: Option "rw" is required because another optional option is specified!

Error Code	Error Message
E1010033	AddShareHost: Failed to read/get option "rw".
E1010034	AddShareHost: Failed to write/set option "rw".
E1010051	AddShareHost failed!
E1010052	The specified host is already in share access list!
E1010401	ListShareHost: Option "list" is missing.
E1010402	ListShareHost: Option "list" requires a value
E1010403	ListShareHost: Option "list" has invalid value
E1010404	ListShareHost: Failed to read/get option "list".
E1010405	ListShareHost: Failed to write/set option "list".
E1010411	ListShareHost: Option "share" is missing.
E1010412	ListShareHost: Option "share" requires a value
E1010413	ListShareHost: Option "share" has invalid value
E1010414	ListShareHost: Failed to read/get option "share".
E1010415	ListShareHost: Failed to write/set option "share".
E1010416	ListSharehost: Value of option "share" is too long
E1010431	ListShareHost failed!
E1010801	DelShareHost: Option "del" is missing.
E1010802	DelShareHost: Option "del" requires a value
E1010803	DelShareHost: Option "del" has invalid value
E1010804	DelShareHost: Failed to read/get option "del".
E1010805	DelShareHost: Failed to write/set option "del".
E1010811	DelShareHost: Option "share" is missing.
E1010812	DelShareHost: Option "share" requires a value
E1010813	DelShareHost: Option "share" has invalid value
E1010814	DelShareHost: Failed to read/get option "share".
E1010815	DelShareHost: Failed to write/set option "share".
E1010816	DelSharehost: Value of option "share" is too long
E1010821	DelShareHost: Option "host" is missing.
E1010822	DelShareHost: Option "host" requires a value
E1010823	DelShareHost: Option "host" has invalid value
E1010824	DelShareHost: Failed to read/get option "host".

Error Code	Error Message
E1010825	DelShareHost: Failed to write/set option "host".
E1010826	DelSharehost: Value of option "host" is too long
E1010841	DelShareHost failed!
E1010842	The specified host is not found on this share!
E1011201	DeleteAllShareHost: Option "deleteall" is missing.
E1011202	DeleteAllShareHost: Option "deleteall" requires a value
E1011203	DeleteAllShareHost: Option "deleteall" has invalid value
E1011204	DeleteAllShareHost: Failed to read/get option "deleteall".
E1011205	DeleteAllShareHost: Failed to write/set option "deleteall".
E1011211	DeleteAllShareHost: Option "share" is missing.
E1011212	DeleteAllShareHost: Option "share" requires a value
E1011213	DeleteAllShareHost: Option "share" has invalid value
E1011214	DeleteAllShareHost: Failed to read/get option "share".
E1011215	DeleteAllShareHost: Failed to write/set option "share".
E1011216	DeleteallSharehost: Value of option "share" is too long
E1011221	DeleteAllShareHost: Option "force" is missing.
E1011222	DeleteAllShareHost: Failed to read/get option "force".
E1011223	DeleteAllShareHost: Failed to write/set option "force".
E1011241	DeleteAllShareHost failed!
E1011242	Failed to get the list of hosts!
E1011243	There are no hosts to delete
E1014801	GetSmbsetting: Option "get" is missing.
E1014802	GetSmbsetting: Option "get" requires a value
E1014803	GetSmbsetting: Option "get" has invalid value
E1014804	GetSmbsetting: Failed to read/get option "get".
E1014805	GetSmbsetting: Failed to write/set option "get".
E1014811	GetSmbsetting: Option "oplocks" is missing.
E1014812	GetSmbsetting: Failed to read/get option "oplocks".
E1014813	GetSmbsetting: Failed to write/set option "oplocks".
E1014814	GetSmbsetting: Specified option is not supported!
E1014821	GetSmbsetting: Option "dbglevel" is missing.

Error Code	Error Message
E1014822	GetSmbsetting: Failed to read/get option "dbglevel".
E1014823	GetSmbsetting: Failed to write/set option "dbglevel".
E1014831	GetSmbsetting failed!
E1014832	Failed to query kernel oplocks!
E1014833	Failed to query smb settings!
E1014834	Failed to query option "debug level"!
E1014901	GetSmbsetting: Option "ldapsigning" is missing.
E1014902	GetSmbsetting: Failed to read/get option "ldapsigning".
E1014903	GetSmbsetting: Failed to write/set option "ldapsigning".
E1014911	GetSmbsetting: Option "maxprocesses" is missing.
E1014912	GetSmbsetting: Failed to read/get option "maxprocesses".
E1014913	GetSmbsetting: Failed to write/set option "maxprocesses".
E1014921	GetSmbsetting: Option "all" is missing.
E1014922	GetSmbsetting: Failed to read/get option "all".
E1014923	GetSmbsetting: Failed to write/set option "all".
E1014931	GetSmbsetting: Option "section" is missing.
E1014932	GetSmbsetting: Option "section" requires a value
E1014933	GetSmbsetting: Option "section" has invalid value
E1014934	GetSmbsetting: Failed to read/get option "section".
E1014935	GetSmbsetting: Failed to write/set option "section".
E1014941	GetSmbsetting: Option "name" is missing.
E1014942	GetSmbsetting: Option "name" requires a value
E1014943	GetSmbsetting: Option "name" has invalid value
E1014944	GetSmbsetting: Failed to read/get option "name".
E1014945	GetSmbsetting: Failed to write/set option "name".
E1014951	GetSmbsetting: Option "clientntlmv2auth" is missing.
E1014952	GetSmbsetting: Failed to read/get option "clientntlmv2auth".
E1014953	GetSmbsetting: Failed to write/set option "clientntlmv2auth".
E1014961	GetSmbsetting: Option "serversigning" is missing.
E1014962	GetSmbsetting: Failed to read/get option "serversigning".
E1014963	GetSmbsetting: Failed to write/set option "serversigning".

Error Code	Error Message
E1015201	SetSmbsetting: Option "set" is missing.
E1015202	SetSmbsetting: Option "set" requires a value
E1015203	SetSmbsetting: Option "set" has invalid value
E1015204	SetSmbsetting: Failed to read/get option "set".
E1015205	SetSmbsetting: Failed to write/set option "set".
E1015211	SetSmbsetting: Option "oplocks" is missing.
E1015212	SetSmbsetting: Option "oplocks" requires a value
E1015213	SetSmbsetting: Option "oplocks" has invalid value
E1015214	SetSmbsetting: Failed to read/get option "oplocks".
E1015215	SetSmbsetting: Failed to write/set option "oplocks".
E1015216	SetSmbsetting: Specified option is not supported!
E1015221	SetSmbsetting: Option "dbglevel" is missing.
E1015222	SetSmbsetting: Option "dbglevel" requires a value
E1015223	SetSmbsetting: Option "dbglevel" has invalid value
E1015224	SetSmbsetting: Failed to read/get option "dbglevel".
E1015225	SetSmbsetting: Failed to write/set option "dbglevel".
E1015231	SetSmbsetting failed!
E1015232	SetSmbsetting: Failed to change smb setting!
E1015233	SetSmbsetting: Failed to change option "debug level"!
E1015234	SetSmbsetting: Failed to change smb parameter!
E1015291	SetSmbsetting: Failed to read/get option "nocheck".
E1015292	SetSmbsetting: Failed to write/set option "nocheck".
E1015301	SetSmbsetting: Option "ldapsigning" is missing.
E1015302	SetSmbsetting: Option "ldapsigning" requires a value
E1015303	SetSmbsetting: Option "ldapsigning" has invalid value
E1015304	SetSmbsetting: Failed to read/get option "ldapsigning".
E1015305	SetSmbsetting: Failed to write/set option "ldapsigning".
E1015311	SetSmbsetting: Option "maxprocesses" is missing.
E1015312	SetSmbsetting: Option "maxprocesses" requires a value
E1015313	SetSmbsetting: Option "maxprocesses" has invalid value
E1015314	SetSmbsetting: Failed to read/get option "maxprocesses".

Error Code	Error Message
E1015315	SetSmbsetting: Failed to write/set option "maxprocesses".
E1015321	SetSmbsetting: Option "section" is missing.
E1015322	SetSmbsetting: Option "section" requires a value
E1015323	SetSmbsetting: Option "section" has invalid value
E1015324	SetSmbsetting: Failed to read/get option "section".
E1015325	SetSmbsetting: Failed to write/set option "section".
E1015331	SetSmbsetting: Option "name" is missing.
E1015332	SetSmbsetting: Must specify the name of an SMB parameter after "--name".
E1015333	SetSmbsetting: The name specified after "--name" is an invalid SMB parameter.
E1015334	SetSmbsetting: Failed to read/get option "name".
E1015335	SetSmbsetting: Failed to write/set option "name".
E1015341	SetSmbsetting: Option "value" is missing.
E1015342	SetSmbsetting: Must specify a value of the specified SMB parameter after "--value".
E1015343	SetSmbsetting: The value specified after "--value" is not valid for the specified SMB parameter.
E1015344	SetSmbsetting: Failed to read/get option "value".
E1015345	SetSmbsetting: Failed to write/set option "value".
E1015351	SetSmbsetting: Option "clientntlmv2auth" is missing.
E1015352	SetSmbsetting: Option "clientntlmv2auth" requires a value
E1015353	SetSmbsetting: Option "clientntlmv2auth" has invalid value
E1015354	SetSmbsetting: Failed to read/get option "clientntlmv2auth".
E1015355	SetSmbsetting: Failed to write/set option "clientntlmv2auth".
E1015361	SetSmbsetting: Option "serversigning" is missing.
E1015362	SetSmbsetting: Option "serversigning" requires a value
E1015363	SetSmbsetting: Option "serversigning" has invalid value
E1015364	SetSmbsetting: Failed to read/get option "serversigning".
E1015365	SetSmbsetting: Failed to write/set option "serversigning".
E1015601	Cifs: Option "cifs" is missing.
E1015602	Cifs: Failed to read/get option "cifs".
E1015603	Cifs: Failed to write/set option "cifs".

Error Code	Error Message
E1015611	Cifs: Option "reactivate" is missing.
E1015612	Cifs: Option "reactivate" is required because another optional option is specified!
E1015613	Cifs: Failed to read/get option "reactivate".
E1015614	Cifs: Failed to write/set option "reactivate".
E1015621	Cifs: Option "deactivate" is missing.
E1015622	Cifs: Option "deactivate" is required because another optional option is specified!
E1015623	Cifs: Failed to read/get option "deactivate".
E1015624	Cifs: Failed to write/set option "deactivate".
E1015631	CIFS was not previously set up
E1015632	CIFS was not previously deactivated
E1015633	Failed to deactivate CIFS!
E1015634	Failed to reactivate CIFS!
E1015651	Cifs failed!
E1016001	ListSharename: Option "list" is missing.
E1016002	ListSharename: Option "list" requires a value
E1016003	ListSharename: Option "list" has invalid value
E1016004	ListSharename: Failed to read/get option "list".
E1016005	ListSharename: Failed to write/set option "list".
E1016011	ListSharename: Option "proto" requires a value
E1016012	ListSharename: Option "proto" has invalid value
E1016013	ListSharename: Failed to read/get option "proto".
E1016014	ListSharename: Failed to write/set option "proto".
E1016021	ListSharename: Option "namematch" requires a value
E1016022	ListSharename: Option "namematch" has invalid value
E1016023	ListSharename: Failed to read/get option "namematch".
E1016024	ListSharename: Failed to write/set option "namematch".
E1016031	ListSharename failed!
E1016061	ListSharename failed to open file!
E1016401	GetShare: Option "get" is missing.
E1016402	GetShare: Option "get" requires a value

Error Code	Error Message
E1016403	GetShare: Option "get" has invalid value
E1016404	GetShare: Failed to read/get option "get".
E1016405	GetShare: Failed to write/set option "get".
E1016411	GetShare: Option "name" is missing.
E1016412	GetShare: Option "name" requires a value
E1016413	GetShare: Option "name" has invalid value
E1016414	GetShare: Value of option "name" is too long
E1016415	GetShare: Failed to read/get option "name".
E1016416	GetShare: Failed to write/set option "name".
E1016431	GetShare failed!
E1016461	GetShare failed to open file!
E1016801	GetcountShare: Option "getcount" is missing.
E1016802	GetcountShare: Option "getcount" requires a value
E1016803	GetcountShare: Option "getcount" has invalid value
E1016804	GetcountShare: Failed to read/get option "getcount".
E1016805	GetcountShare: Failed to write/set option "getcount".
E1016811	GetcountShare: Option "proto" requires a value
E1016812	GetcountShare: Option "proto" has invalid value
E1016813	GetcountShare: Failed to read/get option "proto".
E1016814	GetcountShare: Failed to write/set option "proto".
E1016821	GetcountShare: Option "namematch" requires a value
E1016822	GetcountShare: Option "namematch" has invalid value
E1016823	GetcountShare: Failed to read/get option "namematch".
E1016824	GetcountShare: Failed to write/set option "namematch".
E1016831	GetcountShare failed!
E1016861	GetcountShare failed to open file!
E1017201	AddSharesetting: Option "add" is missing.
E1017202	AddSharesetting: Option "add" requires a value
E1017203	AddSharesetting: Option "add" has invalid value
E1017204	AddSharesetting: Failed to read/get option "add".
E1017205	AddSharesetting: Failed to write/set option "add".

Error Code	Error Message
E1017211	AddSharesetting: Option "share" is missing.
E1017212	AddSharesetting: Option "share" requires a value
E1017213	AddSharesetting: Option "share" has invalid value
E1017214	AddSharesetting: Failed to read/get option "share".
E1017215	AddSharesetting: Failed to write/set option "share".
E1017221	AddSharesetting: Option "name" is missing.
E1017222	AddSharesetting: Option "name" requires a value
E1017223	AddSharesetting: Option "name" has invalid value
E1017224	AddSharesetting: Failed to read/get option "name".
E1017225	AddSharesetting: Failed to write/set option "name".
E1017231	AddSharesetting: Option "value" requires a value
E1017232	AddSharesetting: Option "value" has invalid value
E1017233	AddSharesetting: Failed to read/get option "value".
E1017234	AddSharesetting: Failed to write/set option "value".
E1017251	AddSharesetting failed!
E1017601	DelSharesetting: Option "del" is missing.
E1017602	DelSharesetting: Option "del" requires a value
E1017603	DelSharesetting: Option "del" has invalid value
E1017604	DelSharesetting: Failed to read/get option "del".
E1017605	DelSharesetting: Failed to write/set option "del".
E1017611	DelSharesetting: Option "share" is missing.
E1017612	DelSharesetting: Option "share" requires a value
E1017613	DelSharesetting: Option "share" has invalid value
E1017614	DelSharesetting: Failed to read/get option "share".
E1017615	DelSharesetting: Failed to write/set option "share".
E1017621	DelSharesetting: Option "name" is missing.
E1017622	DelSharesetting: Option "name" requires a value
E1017623	DelSharesetting: Option "name" has invalid value
E1017624	DelSharesetting: Failed to read/get option "name".
E1017625	DelSharesetting: Failed to write/set option "name".
E1017641	DelSharesetting failed!

Error Code	Error Message
E1018001	ListSharesetting: Option "list" is missing.
E1018002	ListSharesetting: Option "list" requires a value
E1018003	ListSharesetting: Option "list" has invalid value
E1018004	ListSharesetting: Failed to read/get option "list".
E1018005	ListSharesetting: Failed to write/set option "list".
E1018011	ListSharesetting: Option "nfs" is missing.
E1018012	ListSharesetting: Failed to read/get option "nfs".
E1018013	ListSharesetting: Failed to write/set option "nfs".
E1018021	ListSharesetting: Option "cifs" is missing.
E1018022	ListSharesetting: Failed to read/get option "cifs".
E1018023	ListSharesetting: Failed to write/set option "cifs".
E1018031	ListSharesetting: Option "share" is missing.
E1018032	ListSharesetting: Option "share" requires a value
E1018033	ListSharesetting: Option "share" has invalid value
E1018034	ListSharesetting: Failed to read/get option "share".
E1018035	ListSharesetting: Failed to write/set option "share".
E1018051	ListSharesetting failed!
E1018401	NfscommitSync: Option "nfscommit" is missing.
E1018402	NfscommitSync: Option "nfscommit" requires a value
E1018403	NfscommitSync: Option "nfscommit" has invalid value
E1018404	NfscommitSync: Failed to read/get option "nfscommit".
E1018405	NfscommitSync: Failed to write/set option "nfscommit".
E1018411	NfscommitSync: Option "share" is missing.
E1018412	NfscommitSync: Option "share" requires a value
E1018413	NfscommitSync: Option "share" has invalid value
E1018414	NfscommitSync: Failed to read/get option "share".
E1018415	NfscommitSync: Failed to write/set option "share".
E1018421	NfscommitSync: Option "all" is missing.
E1018422	NfscommitSync: Failed to read/get option "all".
E1018423	NfscommitSync: Failed to write/set option "all".
E1018471	NfscommitSync: Failed to set NFS Commit to sync!

Error Code	Error Message
E1018472	NfscommitSync: No NFS shares to set NFS Commit to sync!
E1018801	NfscommitAsync: Option "nfscommit" is missing.
E1018802	NfscommitAsync: Option "nfscommit" requires a value
E1018803	NfscommitAsync: Option "nfscommit" has invalid value
E1018804	NfscommitAsync: Failed to read/get option "nfscommit".
E1018805	NfscommitAsync: Failed to write/set option "nfscommit".
E1018811	NfscommitAsync: Option "share" is missing.
E1018812	NfscommitAsync: Option "share" requires a value
E1018813	NfscommitAsync: Option "share" has invalid value
E1018814	NfscommitAsync: Failed to read/get option "share".
E1018815	NfscommitAsync: Failed to write/set option "share".
E1018821	NfscommitAsync: Option "all" is missing.
E1018822	NfscommitAsync: Failed to read/get option "all".
E1018823	NfscommitAsync: Failed to write/set option "all".
E1018871	NfscommitAsync: Failed to set NFS Commit to async!
E1018872	NfscommitAsync: No NFS shares to set NFS Commit to async!
E1019201	GetNfssetting: Option "get" is missing.
E1019202	GetNfssetting: Option "get" requires a value
E1019203	GetNfssetting: Option "get" has invalid value
E1019204	GetNfssetting: Failed to read/get option "get".
E1019205	GetNfssetting: Failed to write/set option "get".
E1019211	GetNfssetting: Option "secure" is missing.
E1019212	GetNfssetting: Failed to read/get option "secure".
E1019213	GetNfssetting: Failed to write/set option "secure".
E1019261	GetNfssetting failed!
E1019601	SetNfssetting: Option "set" is missing.
E1019602	SetNfssetting: Option "set" requires a value
E1019603	SetNfssetting: Option "set" has invalid value
E1019604	SetNfssetting: Failed to read/get option "set".
E1019605	SetNfssetting: Failed to write/set option "set".
E1019611	SetNfssetting: Option "secure" is missing.

Error Code	Error Message
E1019612	SetNfssetting: Option "secure" requires a value
E1019613	SetNfssetting: Option "secure" has invalid value
E1019614	SetNfssetting: Failed to read/get option "secure".
E1019615	SetNfssetting: Failed to write/set option "secure".
E1019661	SetNfssetting failed!
E1020001	ListBadshare: Option "list" is missing.
E1020002	ListBadshare: Option "list" requires a value
E1020003	ListBadshare: Option "list" has invalid value
E1020004	ListBadshare: Failed to read/get option "list".
E1020005	ListBadshare: Failed to write/set option "list".
E1020081	ListBadshare failed!
E1020401	EnableAllowlinks: Option "enable" is missing.
E1020402	EnableAllowlinks: Option "enable" requires a value
E1020403	EnableAllowlinks: Option "enable" has invalid value
E1020404	EnableAllowlinks: Failed to read/get option "enable".
E1020405	EnableAllowlinks: Failed to write/set option "enable".
E1020411	EnableAllowlinks: Option "share" is missing.
E1020412	EnableAllowlinks: Option "share" requires a value
E1020413	EnableAllowlinks: Option "share" has invalid value
E1020414	EnableAllowlinks: Failed to read/get option "share".
E1020415	EnableAllowlinks: Failed to write/set option "share".
E1020421	EnableAllowlinks: Option "all" is missing.
E1020422	EnableAllowlinks: Failed to read/get option "all".
E1020423	EnableAllowlinks: Failed to write/set option "all".
E1020471	EnableAllowlinks failed!
E2000121	VTL is missing from Replication database!
E2000122	VTL is missing from Blockpool shares database!
E2000123	VTL is corrupt
E2000134	VTL directory not found!
E2000135	VTL database is not found!
E2000136	Replication configuration is not found!

Error Code	Error Message
E2000401	AddVtl: Option "add" is missing.
E2000402	AddVtl: Option "add" requires a value
E2000403	AddVtl: Option "add" has invalid value
E2000404	AddVtl: Failed to read/get option "add".
E2000405	AddVtl: Failed to write/set option "add".
E2000411	AddVtl: Option "name" is missing.
E2000412	AddVtl: Option "name" requires a value
E2000413	AddVtl: Option "name" has invalid value
E2000414	AddVtl: Failed to read/get option "name".
E2000415	AddVtl: Failed to write/set option "name".
E2000421	AddVtl: Option "model" is missing.
E2000422	AddVtl: Option "model" requires a value
E2000423	AddVtl: Option "model" has invalid value
E2000424	AddVtl: Failed to read/get option "model".
E2000425	AddVtl: Failed to write/set option "model".
E2000431	AddVtl: Option "slots" is missing.
E2000432	AddVtl: Option "slots" requires a value
E2000433	AddVtl: Option "slots" has invalid value
E2000434	AddVtl: Failed to read/get option "slots".
E2000435	AddVtl: Failed to write/set option "slots".
E2000441	AddVtl: Option "drivemodel" is missing.
E2000442	AddVtl: Option "drivemodel" requires a value
E2000443	AddVtl: Option "drivemodel" has invalid value
E2000444	AddVtl: Failed to read/get option "drivemodel".
E2000445	AddVtl: Failed to write/set option "drivemodel".
E2000451	AddVtl: Option "drives" is missing.
E2000452	AddVtl: Option "drives" requires a value
E2000453	AddVtl: Option "drives" has invalid value
E2000454	AddVtl: Failed to read/get option "drives".
E2000455	AddVtl: Failed to write/set option "drives".
E2000461	AddVtl: Option "dedup" is missing.

Error Code	Error Message
E2000462	AddVtl: Option "dedup" is required because another optional option is specified!
E2000463	AddVtl: Failed to read/get option "dedup".
E2000464	AddVtl: Failed to write/set option "dedup".
E2000471	AddVtl: Option "startbackup" is missing.
E2000472	AddVtl: Option "startbackup" is required because another optional option is specified!
E2000473	AddVtl: Option "startbackup" requires a value
E2000474	AddVtl: Option "startbackup" has invalid value
E2000475	AddVtl: Failed to read/get option "startbackup".
E2000476	AddVtl: Failed to write/set option "startbackup".
E2000481	AddVtl: Option "endbackup" is missing.
E2000482	AddVtl: Option "endbackup" is required because another optional option is specified!
E2000483	AddVtl: Option "endbackup" requires a value
E2000484	AddVtl: Option "endbackup" has invalid value
E2000485	AddVtl: Failed to read/get option "endbackup".
E2000486	AddVtl: Failed to write/set option "endbackup".
E2000491	AddVtl: Failed to read/get option "nostart".
E2000492	AddVtl: Failed to write/set option "nostart".
E2000501	AddVtl failed!
E2000502	Specified VTL name already exists
E2000503	Error retrieving the VTL info list
E2000504	Error retrieving info for VTL
E2000505	Max VTLs defined, cannot add more VTL
E2000506	Max drives defined, cannot add more VTL
E2000507	Error retrieving supported Library type
E2000508	Error retrieving supported Drive type
E2000509	Dedup must be specified
E2000510	Both start and end backup window time must be specified
E2000511	Error creating VTL
E2000512	Unable to set dedup window

Error Code	Error Message
E2000513	No dedup license, VTL not created
E2000514	Error retrieving VTL serial number.
E2000515	No colon specified in Start backup time.
E2000516	No colon specified in End backup time.
E2000517	Number of drives specified is greater than maximum allowed
E2000518	Unable to get node ID.
E2000519	Number of slots specified is greater than maximum allowed
E2000520	Number of drives specified is greater than currently available
E2000521	Number of drives specified is greater than maximum allowed per VTL
E2000600	The VTL name is empty!
E2000601	The VTL name is too long.
E2000602	The VTL name is invalid
E2000603	The first character of the VTL name is invalid.
E2000604	Start backup time is invalid.
E2000605	End backup time is invalid.
E2000606	Dedup is must be enabled to specify start and end backup time
E2000607	The VTL is currently locked by another process.
E2000608	Error retrieving the VTL info list
E2000609	No VTLs exist
E2000610	Error retrieving info for VTL
E2000611	Specified VTL is missing
E2000612	Unsupported VTL element type
E2000613	Unable to retrieve VTL Emulation information.
E2000614	The VTL does not exist!
E2000615	Exception retrieving VTL information.
E2000616	Barcode does not exists
E2000617	Barcode does not belong to the VTL
E2000618	Exception retrieving media list for VTL.
E2000619	No media in unassigned VTL.
E2000801	EditVtl: Option "edit" is missing.

Error Code	Error Message
E2000802	EditVtl: Option "edit" requires a value
E2000803	EditVtl: Option "edit" has invalid value
E2000804	EditVtl: Failed to read/get option "edit".
E2000805	EditVtl: Failed to write/set option "edit".
E2000811	EditVtl: Option "name" is missing.
E2000812	EditVtl: Option "name" requires a value
E2000813	EditVtl: Option "name" has invalid value
E2000814	EditVtl: Failed to read/get option "name".
E2000815	EditVtl: Failed to write/set option "name".
E2000821	EditVtl: Option "model" is missing.
E2000822	EditVtl: Option "model" is required because another optional option is specified!
E2000823	EditVtl: Option "model" requires a value
E2000824	EditVtl: Option "model" has invalid value
E2000825	EditVtl: Failed to read/get option "model".
E2000826	EditVtl: Failed to write/set option "model".
E2000831	EditVtl: Option "slots" is missing.
E2000832	EditVtl: Option "slots" is required because another optional option is specified!
E2000833	EditVtl: Option "slots" requires a value
E2000834	EditVtl: Option "slots" has invalid value
E2000835	EditVtl: Failed to read/get option "slots".
E2000836	EditVtl: Failed to write/set option "slots".
E2000841	EditVtl: Option "drives" is missing.
E2000842	EditVtl: Option "drives" is required because another optional option is specified!
E2000843	EditVtl: Option "drives" requires a value
E2000844	EditVtl: Option "drives" has invalid value
E2000845	EditVtl: Failed to read/get option "drives".
E2000846	EditVtl: Failed to write/set option "drives".
E2000851	EditVtl: Option "startbackup" is missing.
E2000852	EditVtl: Option "startbackup" is required because another optional option is specified!

Error Code	Error Message
E2000853	EditVtl: Option "startbackup" requires a value
E2000854	EditVtl: Option "startbackup" has invalid value
E2000855	EditVtl: Failed to read/get option "startbackup".
E2000856	EditVtl: Failed to write/set option "startbackup".
E2000861	EditVtl: Option "endbackup" is missing.
E2000862	EditVtl: Option "endbackup" is required because another optional option is specified!
E2000863	EditVtl: Option "endbackup" requires a value
E2000864	EditVtl: Option "endbackup" has invalid value
E2000865	EditVtl: Failed to read/get option "endbackup".
E2000866	EditVtl: Failed to write/set option "endbackup".
E2000871	EditVtl: Option "drivemodel" requires a value
E2000872	EditVtl: Option "drivemodel" has invalid value
E2000873	EditVtl: Failed to read/get option "drivemodel".
E2000874	EditVtl: Failed to write/set option "drivemodel".
E2000901	EditVtl failed!
E2000902	No VTLs exist
E2000903	Error retrieving the VTL info list
E2000904	!Specified VTL is missing
E2000905	Error retrieving info for VTL
E2000906	VTL must be offline to edit
E2000907	Error setting library type
E2000908	Error setting number of slots
E2000909	Error setting number of drives
E2000910	Error retrieving the drive info list
E2000911	Error removing more drives than existing drives
E2000912	Error deleting device mappings for drive
E2000913	Dedup not enabled, cannot change start and end backup time.
E2000914	No colon specified in Start backup time.
E2000915	No colon specified in End backup time.
E2000916	Unable to change backup window

Error Code	Error Message
E2000917	Cannot change backup window
E2000918	Error deleting drive from VTL
E2000919	Error updating configuration file
E2000920	Number of drives specified exceeds the maximum allowed!
E2000921	Number of slots specified is greater than maximum allowed!
E2000922	Model name specified is invalid.
E2000923	Drive type is already set. Cannot change drive type.
E2000924	Unable to change the drive type for VTL.
E2000925	Drive model is not set on the VTL. The drive model needs to be specified to change the number of drives.
E2001201	DelVtl: Option "del" is missing.
E2001202	DelVtl: Option "del" requires a value
E2001203	DelVtl: Option "del" has invalid value
E2001204	DelVtl: Failed to read/get option "del".
E2001205	DelVtl: Failed to write/set option "del".
E2001211	DelVtl: Option "name" is missing.
E2001212	DelVtl: Option "name" requires a value
E2001213	DelVtl: Option "name" has invalid value
E2001214	DelVtl: Failed to read/get option "name".
E2001215	DelVtl: Failed to write/set option "name".
E2001231	DelVtl failed!
E2001232	Specified VTL is missing
E2001233	No VTLs exist
E2001234	Error retrieving the VTL info list
E2001235	Error retrieving info for VTL
E2001236	Error deleting device mappings
E2001237	Error deleting VTL
E2001238	VTL is online, it must be turned offline to delete VTL.
E2001239	Error deleting VTL from configuration file
E2001240	VTL not found in configuration file.
E2001241	Cannot delete VTL with media in it. Remove all media before deleting VTL.

Error Code	Error Message
E2001601	ListVtl: Option "list" is missing.
E2001602	ListVtl: Option "list" requires a value
E2001603	ListVtl: Option "list" has invalid value
E2001604	ListVtl: Failed to read/get option "list".
E2001605	ListVtl: Failed to write/set option "list".
E2001611	ListVtl: Option "name" is missing.
E2001612	ListVtl: Option "name" is required because another optional option is specified!
E2001613	ListVtl: Option "name" requires a value
E2001614	ListVtl: Option "name" has invalid value
E2001615	ListVtl: Failed to read/get option "name".
E2001616	ListVtl: Failed to write/set option "name".
E2001631	ListVtl failed!
E2001632	ListVtl: Error retrieving the VTL info list
E2001633	ListVtl: Error retrieving the info for VTL
E2002001	ListLibrary: Option "list" is missing.
E2002002	ListLibrary: Option "list" requires a value
E2002003	ListLibrary: Option "list" has invalid value
E2002004	ListLibrary: Failed to read/get option "list".
E2002005	ListLibrary: Failed to write/set option "list".
E2002006	LISTLIBRARY failed.
E2002401	ListDrive: Option "list" is missing.
E2002402	ListDrive: Option "list" requires a value
E2002403	ListDrive: Option "list" has invalid value
E2002404	ListDrive: Failed to read/get option "list".
E2002405	ListDrive: Failed to write/set option "list".
E2002406	LISTDRIVE failed.
E2002801	ListMediatype: Option "list" is missing.
E2002802	ListMediatype: Option "list" requires a value
E2002803	ListMediatype: Option "list" has invalid value
E2002804	ListMediatype: Failed to read/get option "list".
E2002805	ListMediatype: Failed to write/set option "list".

Error Code	Error Message
E2002811	ListMediatype: Option "drivetype" is missing.
E2002812	ListMediatype: Option "drivetype" requires a value
E2002813	ListMediatype: Option "drivetype" has invalid value
E2002814	ListMediatype: Failed to read/get option "drivetype".
E2002815	ListMediatype: Failed to write/set option "drivetype".
E2002831	ListMediatype failed!
E2003201	AddMedia: Option "add" is missing.
E2003202	AddMedia: Option "add" requires a value
E2003203	AddMedia: Option "add" has invalid value
E2003204	AddMedia: Failed to read/get option "add".
E2003205	AddMedia: Failed to write/set option "add".
E2003211	AddMedia: Option "name" is missing.
E2003212	AddMedia: Option "name" requires a value
E2003213	AddMedia: Option "name" has invalid value
E2003214	AddMedia: Failed to read/get option "name".
E2003215	AddMedia: Failed to write/set option "name".
E2003221	AddMedia: Option "type" is missing.
E2003222	AddMedia: Option "type" requires a value
E2003223	AddMedia: Option "type" has invalid value
E2003224	AddMedia: Failed to read/get option "type".
E2003225	AddMedia: Failed to write/set option "type".
E2003231	AddMedia: Option "media" is missing.
E2003232	AddMedia: Option "media" requires a value
E2003233	AddMedia: Option "media" has invalid value
E2003234	AddMedia: Failed to read/get option "media".
E2003235	AddMedia: Failed to write/set option "media".
E2003241	AddMedia: Option "barcodestart" is missing.
E2003242	AddMedia: Option "barcodestart" requires a value
E2003243	AddMedia: Option "barcodestart" has invalid value
E2003244	AddMedia: Failed to read/get option "barcodestart".
E2003245	AddMedia: Failed to write/set option "barcodestart".

Error Code	Error Message
E2003251	AddMedia: Option "location" is missing.
E2003252	AddMedia: Option "location" requires a value
E2003253	AddMedia: Option "location" has invalid value
E2003254	AddMedia: Failed to read/get option "location".
E2003255	AddMedia: Failed to write/set option "location".
E2003261	AddMedia: Option "capacity" is missing.
E2003262	AddMedia: Option "capacity" is required because another optional option is specified!
E2003263	AddMedia: Option "capacity" requires a value
E2003264	AddMedia: Option "capacity" has invalid value
E2003265	AddMedia: Failed to read/get option "capacity".
E2003266	AddMedia: Failed to write/set option "capacity".
E2003271	AddMedia: There are not enough slots available.
E2003281	AddMedia failed!
E2003601	ListMedia: Option "list" is missing.
E2003602	ListMedia: Option "list" requires a value
E2003603	ListMedia: Option "list" has invalid value
E2003604	ListMedia: Failed to read/get option "list".
E2003605	ListMedia: Failed to write/set option "list".
E2003611	ListMedia: Option "name" is missing.
E2003612	ListMedia: Option "name" requires a value
E2003613	ListMedia: Option "name" has invalid value
E2003614	ListMedia: Failed to read/get option "name".
E2003615	ListMedia: Failed to write/set option "name".
E2003621	ListMedia: Option "barcode" is missing.
E2003622	ListMedia: Option "barcode" is required because another optional option is specified!
E2003623	ListMedia: Option "barcode" requires a value
E2003624	ListMedia: Option "barcode" has invalid value
E2003625	ListMedia: Failed to read/get option "barcode".
E2003626	ListMedia: Failed to write/set option "barcode".
E2003631	ListMedia: Option "all" is missing.

Error Code	Error Message
E2003632	ListMedia: Option "all" requires a value
E2003633	ListMedia: Option "all" has invalid value
E2003634	ListMedia: Failed to read/get option "all".
E2003635	ListMedia: Failed to write/set option "all".
E2003641	ListMedia failed!
E2003642	ListMedia: Error retrieving Media information.
E2004001	DelMedia: Option "del" is missing.
E2004002	DelMedia: Option "del" requires a value
E2004003	DelMedia: Option "del" has invalid value
E2004004	DelMedia: Failed to read/get option "del".
E2004005	DelMedia: Failed to write/set option "del".
E2004011	DelMedia: Option "barcode" is missing.
E2004012	DelMedia: Option "barcode" requires a value
E2004013	DelMedia: Option "barcode" has invalid value
E2004014	DelMedia: Failed to read/get option "barcode".
E2004015	DelMedia: Failed to write/set option "barcode".
E2004021	DelMedia: Option "name" is missing.
E2004022	DelMedia: Option "name" requires a value
E2004023	DelMedia: Option "name" has invalid value
E2004024	DelMedia: Failed to read/get option "name".
E2004025	DelMedia: Failed to write/set option "name".
E2004041	DelMedia failed!
E2004101	Media has to be exported to delete it.
E2004102	No media in unassigned VTL to delete.
E2004401	ExportMedia: Option "export" is missing.
E2004402	ExportMedia: Option "export" requires a value
E2004403	ExportMedia: Option "export" has invalid value
E2004404	ExportMedia: Failed to read/get option "export".
E2004405	ExportMedia: Failed to write/set option "export".
E2004411	ExportMedia: Option "barcode" is missing.
E2004412	ExportMedia: Option "barcode" requires a value

Error Code	Error Message
E2004413	ExportMedia: Option "barcode" has invalid value
E2004414	ExportMedia: Failed to read/get option "barcode".
E2004415	ExportMedia: Failed to write/set option "barcode".
E2004421	ExportMedia: Option "name" is missing.
E2004422	ExportMedia: Option "name" requires a value
E2004423	ExportMedia: Option "name" has invalid value
E2004424	ExportMedia: Failed to read/get option "name".
E2004425	ExportMedia: Failed to write/set option "name".
E2004431	ExportMedia: Option "all" is missing.
E2004432	ExportMedia: Failed to read/get option "all".
E2004433	ExportMedia: Failed to write/set option "all".
E2004441	ExportMedia: Exception caught retrieving VTL information.
E2004442	ExportMedia: Error retrieving media list for VTL.
E2004443	ExportMedia: Error retrieving Export media list for VTL.
E2004444	ExportMedia: Error exporting media from VTL.
E2004445	ExportMedia: No Media exported from VTL.
E2004461	ExportMedia failed!
E2004501	Media is not qualified to be exported. Used when an export cannot be performed from backup application. Selected media may be in archived, direct, identical, scratch or virtual state.
E2004502	One of the media is not in the VTL.
E2004801	RecycleMedia: Option "recycle" is missing.
E2004802	RecycleMedia: Option "recycle" requires a value
E2004803	RecycleMedia: Option "recycle" has invalid value
E2004804	RecycleMedia: Failed to read/get option "recycle".
E2004805	RecycleMedia: Failed to write/set option "recycle".
E2004811	RecycleMedia: Option "barcode" is missing.
E2004812	RecycleMedia: Option "barcode" requires a value
E2004813	RecycleMedia: Option "barcode" has invalid value
E2004814	RecycleMedia: Failed to read/get option "barcode".
E2004815	RecycleMedia: Failed to write/set option "barcode".

Error Code	Error Message
E2004821	RecycleMedia: Option "name" is missing.
E2004822	RecycleMedia: Option "name" requires a value
E2004823	RecycleMedia: Option "name" has invalid value
E2004824	RecycleMedia: Failed to read/get option "name".
E2004825	RecycleMedia: Failed to write/set option "name".
E2004831	RecycleMedia: Option "all" is missing.
E2004832	RecycleMedia: Failed to read/get option "all".
E2004833	RecycleMedia: Failed to write/set option "all".
E2004841	RecycleMedia: Error retrieving media list for VTL.
E2004842	RecycleMedia: Error retrieving Recycle media list for VTL
E2004844	RecycleMedia: Error exporting media from VTL.
E2004845	RecycleMedia: No Media Recycled from VTL.
E2004861	RecycleMedia failed!
E2004901	Media is not qualified to be recycled.
E2005201	WriteprotMedia: Option "writeprot" is missing.
E2005202	WriteprotMedia: Option "writeprot" requires a value
E2005203	WriteprotMedia: Option "writeprot" has invalid value
E2005204	WriteprotMedia: Failed to read/get option "writeprot".
E2005205	WriteprotMedia: Failed to write/set option "writeprot".
E2005211	WriteprotMedia: Option "barcode" is missing.
E2005212	WriteprotMedia: Option "barcode" requires a value
E2005213	WriteprotMedia: Option "barcode" has invalid value
E2005214	WriteprotMedia: Failed to read/get option "barcode".
E2005215	WriteprotMedia: Failed to write/set option "barcode".
E2005221	WriteprotMedia: Option "name" is missing.
E2005222	WriteprotMedia: Option "name" requires a value
E2005223	WriteprotMedia: Option "name" has invalid value
E2005224	WriteprotMedia: Failed to read/get option "name".
E2005225	WriteprotMedia: Failed to write/set option "name".
E2005231	WriteprotMedia: Option "disable" is missing.
E2005232	WriteprotMedia: Failed to read/get option "disable".

Error Code	Error Message
E2005233	WriteprotMedia: Failed to write/set option "disable".
E2005241	WriteprotMedia: Option "all" is missing.
E2005242	WriteprotMedia: Failed to read/get option "all".
E2005243	WriteprotMedia: Failed to write/set option "all".
E2005251	WriteprotMedia: Error retrieving media list for VTL
E2005252	WriteprotMedia: Error retrieving write-protect media list for VTL
E2005253	WriteprotMedia: Error write-protecting media in VTL.
E2005254	WriteprotMedia: No Media write-protected from VTL
E2005261	WriteprotMedia failed!
E2005301	Media is not qualified to change write protect attribute.
E2005302	Media is already write-protected
E2005303	Media write-protect is already disabled
E2005601	OfflineVtl: Option "offline" is missing.
E2005602	OfflineVtl: Option "offline" requires a value
E2005603	OfflineVtl: Option "offline" has invalid value
E2005604	OfflineVtl: Failed to read/get option "offline".
E2005605	OfflineVtl: Failed to write/set option "offline".
E2005611	OfflineVtl: Option "name" is missing.
E2005612	OfflineVtl: Option "name" requires a value
E2005613	OfflineVtl: Option "name" has invalid value
E2005614	OfflineVtl: Failed to read/get option "name".
E2005615	OfflineVtl: Failed to write/set option "name".
E2005621	OfflineVtl: Option "all" is missing.
E2005622	OfflineVtl: Failed to read/get option "all".
E2005623	OfflineVtl: Failed to write/set option "all".
E2005651	OfflineVtl failed!
E2005701	Failed to get vtl online/offline mode
E2005702	The vtl is already offline!
E2005703	Error turning VTL offline.
E2005704	No VTL turned offline.
E2006001	OnlineVtl: Option "online" is missing.

Error Code	Error Message
E2006002	OnlineVtl: Option "online" requires a value
E2006003	OnlineVtl: Option "online" has invalid value
E2006004	OnlineVtl: Failed to read/get option "online".
E2006005	OnlineVtl: Failed to write/set option "online".
E2006011	OnlineVtl: Option "name" is missing.
E2006012	OnlineVtl: Option "name" requires a value
E2006013	OnlineVtl: Option "name" has invalid value
E2006014	OnlineVtl: Failed to read/get option "name".
E2006015	OnlineVtl: Failed to write/set option "name".
E2006021	OnlineVtl: Option "all" is missing.
E2006022	OnlineVtl: Failed to read/get option "all".
E2006023	OnlineVtl: Failed to write/set option "all".
E2006041	OnlineVtl failed!
E2006101	Failed to get vtl online/offline mode!
E2006102	The vtl is already online!
E2006103	Error turning VTL online.
E2006104	No VTL turned online.
E2006401	ListHost: Option "list" is missing.
E2006402	ListHost: Option "list" requires a value
E2006403	ListHost: Option "list" has invalid value
E2006404	ListHost: Failed to read/get option "list".
E2006405	ListHost: Failed to write/set option "list".
E2006406	LISTHOST failed.
E2006801	AddHost: Option "add" is missing.
E2006802	AddHost: Option "add" requires a value
E2006803	AddHost: Option "add" has invalid value
E2006804	AddHost: Failed to read/get option "add".
E2006805	AddHost: Failed to write/set option "add".
E2006811	AddHost: Option "wwpn" is missing.
E2006812	AddHost: Option "wwpn" requires a value
E2006813	AddHost: Option "wwpn" has invalid value

Error Code	Error Message
E2006814	AddHost: Failed to read/get option "wwpn".
E2006815	AddHost: Failed to write/set option "wwpn".
E2006821	AddHost: Option "alias" is missing.
E2006822	AddHost: Option "alias" requires a value
E2006823	AddHost: Option "alias" has invalid value
E2006824	AddHost: Failed to read/get option "alias".
E2006825	AddHost: Failed to write/set option "alias".
E2006841	AddHost failed!
E2007201	EditHost: Option "edit" is missing.
E2007202	EditHost: Option "edit" requires a value
E2007203	EditHost: Option "edit" has invalid value
E2007204	EditHost: Failed to read/get option "edit".
E2007205	EditHost: Failed to write/set option "edit".
E2007211	EditHost: Option "wwpn" is missing.
E2007212	EditHost: Option "wwpn" requires a value
E2007213	EditHost: Option "wwpn" has invalid value
E2007214	EditHost: Failed to read/get option "wwpn".
E2007215	EditHost: Failed to write/set option "wwpn".
E2007221	EditHost: Option "alias" is missing.
E2007222	EditHost: Option "alias" requires a value
E2007223	EditHost: Option "alias" has invalid value
E2007224	EditHost: Failed to read/get option "alias".
E2007225	EditHost: Failed to write/set option "alias".
E2007241	EditHost failed!
E2007242	EditHost: No host with the given name exists.
E2007601	DelHost: Option "del" is missing.
E2007602	DelHost: Option "del" requires a value
E2007603	DelHost: Option "del" has invalid value
E2007604	DelHost: Failed to read/get option "del".
E2007605	DelHost: Failed to write/set option "del".
E2007611	DelHost: Option "wwpn" is missing.

Error Code	Error Message
E2007612	DelHost: Option "wwpn" requires a value
E2007613	DelHost: Option "wwpn" has invalid value
E2007614	DelHost: Failed to read/get option "wwpn".
E2007615	DelHost: Failed to write/set option "wwpn".
E2007631	DelHost failed!
E2007632	DelHost: Host not found.
E2007633	DelHost: Error deleting host.
E2007634	DelHost: Error updating host file.
E2007635	DelHost: Cannot delete active host.
E2008001	ListTarget: Option "list" is missing.
E2008002	ListTarget: Option "list" requires a value
E2008003	ListTarget: Option "list" has invalid value
E2008004	ListTarget: Failed to read/get option "list".
E2008005	ListTarget: Failed to write/set option "list".
E2008006	LISTTARGET failed.
E2008401	ListDevice: Option "list" is missing.
E2008402	ListDevice: Option "list" requires a value
E2008403	ListDevice: Option "list" has invalid value
E2008404	ListDevice: Failed to read/get option "list".
E2008405	ListDevice: Failed to write/set option "list".
E2008411	ListDevice: Option "name" is missing.
E2008412	ListDevice: Option "name" requires a value
E2008413	ListDevice: Option "name" has invalid value
E2008414	ListDevice: Failed to read/get option "name".
E2008415	ListDevice: Failed to write/set option "name".
E2008431	ListDevice failed!
E2008432	ListDevice: Specified VTL does not exists.
E2008433	ListDevice: Error retrieving list of VTDs.
E2008434	ListDevice: Error retrieving list of VTLs.
E2008801	ListSanclientgroup: Option "list" is missing.
E2008802	ListSanclientgroup: Option "list" requires a value

Error Code	Error Message
E2008803	ListSanclientgroup: Option "list" has invalid value
E2008804	ListSanclientgroup: Failed to read/get option "list".
E2008805	ListSanclientgroup: Failed to write/set option "list".
E2008811	ListSanclientgroup: Option "vtlname" is missing.
E2008812	ListSanclientgroup: Option "vtlname" is required because another optional option is specified!
E2008813	ListSanclientgroup: Option "vtlname" requires a value
E2008814	ListSanclientgroup: Option "vtlname" has invalid value
E2008815	ListSanclientgroup: Failed to read/get option "vtlname".
E2008816	ListSanclientgroup: Failed to write/set option "vtlname".
E2008831	ListSanclientgroup failed!
E2009201	AddSanclientgroup: Option "add" is missing.
E2009202	AddSanclientgroup: Option "add" requires a value
E2009203	AddSanclientgroup: Option "add" has invalid value
E2009204	AddSanclientgroup: Failed to read/get option "add".
E2009205	AddSanclientgroup: Failed to write/set option "add".
E2009211	AddSanclientgroup: Option "name" is missing.
E2009212	AddSanclientgroup: Option "name" requires a value
E2009213	AddSanclientgroup: Option "name" has invalid value
E2009214	AddSanclientgroup: Failed to read/get option "name".
E2009215	AddSanclientgroup: Failed to write/set option "name".
E2009221	AddSanclientgroup: Option "groupname" is missing.
E2009222	AddSanclientgroup: Option "groupname" requires a value
E2009223	AddSanclientgroup: Option "groupname" has invalid value
E2009224	AddSanclientgroup: Failed to read/get option "groupname".
E2009225	AddSanclientgroup: Failed to write/set option "groupname".
E2009231	AddSanclientgroup: Option "wwpn" is missing.
E2009232	AddSanclientgroup: Option "wwpn" requires a value
E2009233	AddSanclientgroup: Option "wwpn" has invalid value
E2009234	AddSanclientgroup: Failed to read/get option "wwpn".
E2009235	AddSanclientgroup: Failed to write/set option "wwpn".
E2009241	AddSanclientgroup: Option "target" is missing.

Error Code	Error Message
E2009242	AddSanclientgroup: Option "target" requires a value
E2009243	AddSanclientgroup: Option "target" has invalid value
E2009244	AddSanclientgroup: Failed to read/get option "target".
E2009245	AddSanclientgroup: Failed to write/set option "target".
E2009251	AddSanclientgroup: Option "device" is missing.
E2009252	AddSanclientgroup: Option "device" requires a value
E2009253	AddSanclientgroup: Option "lun" is missing.
E2009254	AddSanclientgroup: Option "lun" requires a value
E2009255	AddSanclientgroup: Option "device" has invalid value
E2009256	AddSanclientgroup: Failed to read/get option "device"
E2009257	AddSanclientgroup: Failed to write/set option "device".
E2009261	AddSanclientgroup: Option "lun" has invalid value
E2009262	AddSanclientgroup: Failed to read/get option "lun"
E2009263	AddSanclientgroup: Failed to write/set option "lun".
E2009281	AddSanclientgroup failed!
E2009282	AddSanclientgroup: VTL does not exists
E2009283	AddSanclientgroup: SAN client group already exists.
E2009284	AddSanclientgroup: No SAN client group found for VTL Name and group name specified.
E2009285	AddSanclientgroup: No Target found for group to determine node
E2009286	AddSanclientgroup: No Host found for group.
E2009287	AddSanclientgroup: Host and Target type mismatch.
E2009288	AddSanclientgroup: Invalid SAN client group type
E2009289	AddSanclientgroup: Failed to save SAN client group.
E2009290	AddSanclientgroup: Unable to add SAN client group.
E2009291	AddSanclientgroup: Failed getting the list of VTLs.
E2009292	AddSanclientgroup: Failed getting the list of VTDs.
E2009293	AddSanclientgroup: No VTDs exist in the specified VTL.
E2009294	AddSanclientgroup: Drive device does not exists in the list of VTDs.
E2009295	AddSanclientgroup: Exception caught.

Error Code	Error Message
E2009296	AddSanclientgroup: CCL serial number is not retrieved.
E2009351	AddSanclientgroup: Failed to read/get option "useccl".
E2009352	AddSanclientgroup: Failed to write/set option "useccl".
E2009601	DelSanclientgroup: Option "del" is missing.
E2009602	DelSanclientgroup: Option "del" requires a value
E2009603	DelSanclientgroup: Option "del" has invalid value
E2009604	DelSanclientgroup: Failed to read/get option "del".
E2009605	DelSanclientgroup: Failed to write/set option "del".
E2009611	DelSanclientgroup: Option "name" is missing.
E2009612	DelSanclientgroup: Option "name" requires a value
E2009613	DelSanclientgroup: Option "name" has invalid value
E2009614	DelSanclientgroup: Failed to read/get option "name".
E2009615	DelSanclientgroup: Failed to write/set option "name".
E2009621	DelSanclientgroup: Option "groupname" is missing.
E2009622	DelSanclientgroup: Option "groupname" requires a value
E2009623	DelSanclientgroup: Option "groupname" has invalid value
E2009624	DelSanclientgroup: Failed to read/get option "groupname".
E2009625	DelSanclientgroup: Failed to write/set option "groupname".
E2009641	DelSanclientgroup failed!
E2009642	DelSanclientgroup: VTL does not exists
E2009643	DelSanclientgroup: SAN client group does not exists.
E2009644	DelSanclientgroup: No SAN client group found for VTL Name and group name specified.
E2009645	DelSanclientgroup: No Target found for group to determine node.
E2009646	DelSanclientgroup: Failed to save SAN client group.
E2009647	DelSanclientgroup: Invalid SAN client group type
E2010001	GetCapacity: Option "get" is missing.
E2010002	GetCapacity: Option "get" requires a value
E2010003	GetCapacity: Option "get" has invalid value
E2010004	GetCapacity: Failed to read/get option "get".
E2010005	GetCapacity: Failed to write/set option "get".

Error Code	Error Message
E2010011	GetCapacity: Option "free" is missing.
E2010012	GetCapacity: Option "free" is required because another optional option is specified!
E2010013	GetCapacity: Option "free" has invalid value
E2010014	GetCapacity: Failed to read/get option "free".
E2010015	GetCapacity: Failed to write/set option "free".
E2010021	GetCapacity: Option "used" is missing.
E2010022	GetCapacity: Option "used" is required because another optional option is specified!
E2010023	GetCapacity: Option "used" has invalid value
E2010024	GetCapacity: Failed to read/get option "used".
E2010025	GetCapacity: Failed to write/set option "used".
E2010041	GetCapacity failed!
E2010401	GetDdratio: Option "get" is missing.
E2010402	GetDdratio: Option "get" requires a value
E2010403	GetDdratio: Option "get" has invalid value
E2010404	GetDdratio: Failed to read/get option "get".
E2010405	GetDdratio: Failed to write/set option "get".
E2010406	GETDDRATIO failed.
E2010801	ListVtlstorage: Option "list" is missing.
E2010802	ListVtlstorage: Option "list" requires a value
E2010803	ListVtlstorage: Option "list" has invalid value
E2010804	ListVtlstorage: Failed to read/get option "list".
E2010805	ListVtlstorage: Failed to write/set option "list".
E2010811	ListVtlstorage: Option "name" is missing.
E2010812	ListVtlstorage: Option "name" requires a value
E2010813	ListVtlstorage: Option "name" has invalid value
E2010814	ListVtlstorage: Failed to read/get option "name".
E2010815	ListVtlstorage: Failed to write/set option "name".
E2010821	ListVtlstorage: Option "loc" is missing.
E2010822	ListVtlstorage: Option "loc" requires a value
E2010823	ListVtlstorage: Option "loc" has invalid value

Error Code	Error Message
E2010824	ListVtlstorage: Failed to read/get option "loc".
E2010825	ListVtlstorage: Failed to write/set option "loc".
E2010831	ListVtlstorage: Option "type" is missing.
E2010832	ListVtlstorage: Option "type" requires a value
E2010833	ListVtlstorage: Option "type" has invalid value
E2010834	ListVtlstorage: Failed to read/get option "type".
E2010835	ListVtlstorage: Failed to write/set option "type".
E2010841	ListVtlstorage: Exception caught retrieving VTL information.
E2010842	ListVtlstorage: Error retrieving Media information.
E2010843	ListVtlstorage: Error retrieving Destination information.
E2010844	ListVtlstorage: Unable to retrieve drive information.
E2010871	ListVtlstorage failed!
E2011201	MoveMedia: Option "move" is missing.
E2011202	MoveMedia: Option "move" requires a value
E2011203	MoveMedia: Option "move" has invalid value
E2011204	MoveMedia: Failed to read/get option "move".
E2011205	MoveMedia: Failed to write/set option "move".
E2011211	MoveMedia: Option "name" is missing.
E2011212	MoveMedia: Option "name" requires a value
E2011213	MoveMedia: Option "name" has invalid value
E2011214	MoveMedia: Failed to read/get option "name".
E2011215	MoveMedia: Failed to write/set option "name".
E2011221	MoveMedia: Option "barcode" is missing.
E2011222	MoveMedia: Option "barcode" requires a value
E2011223	MoveMedia: Option "barcode" has invalid value
E2011224	MoveMedia: Failed to read/get option "barcode".
E2011225	MoveMedia: Failed to write/set option "barcode".
E2011231	MoveMedia: Option "srctype" is missing.
E2011232	MoveMedia: Option "srctype" requires a value
E2011233	MoveMedia: Option "srctype" has invalid value
E2011234	MoveMedia: Failed to read/get option "srctype".

Error Code	Error Message
E2011235	MoveMedia: Failed to write/set option "srctype".
E2011241	MoveMedia: Option "desttype" is missing.
E2011242	MoveMedia: Option "desttype" requires a value
E2011243	MoveMedia: Option "desttype" has invalid value
E2011244	MoveMedia: Failed to read/get option "desttype".
E2011245	MoveMedia: Failed to write/set option "desttype".
E2011251	MoveMedia: Option "srcindex" is missing.
E2011252	MoveMedia: Option "srcindex" requires a value
E2011253	MoveMedia: Option "srcindex" has invalid value
E2011254	MoveMedia: Failed to read/get option "srcindex".
E2011255	MoveMedia: Failed to write/set option "srcindex".
E2011261	MoveMedia: Option "destindex" is missing.
E2011262	MoveMedia: Option "destindex" requires a value
E2011263	MoveMedia: Option "destindex" has invalid value
E2011264	MoveMedia: Failed to read/get option "destindex".
E2011265	MoveMedia: Failed to write/set option "destindex".
E2011271	MoveMedia: Failed to read/get option "forceunload".
E2011272	MoveMedia: Failed to write/set option "forceunload".
E2011281	MoveMedia: Source type is invalid.
E2011282	MoveMedia: Destination type is invalid.
E2011283	MoveMedia: Error moving media within VTL.
E2011284	MoveMedia: VTL must be offline to move media
E2011285	MoveMedia: Exception caught retrieving VTL information.
E2011286	MoveMedia: Invalid source index.
E2011287	MoveMedia: Invalid destination index.
E2011301	MoveMedia failed!
E2011601	UnloadMedia: Option "unload" is missing.
E2011602	UnloadMedia: Option "unload" requires a value
E2011603	UnloadMedia: Option "unload" has invalid value
E2011604	UnloadMedia: Failed to read/get option "unload".
E2011605	UnloadMedia: Failed to write/set option "unload".

Error Code	Error Message
E2011611	UnloadMedia: Option "name" is missing.
E2011612	UnloadMedia: Option "name" requires a value
E2011613	UnloadMedia: Option "name" has invalid value
E2011614	UnloadMedia: Failed to read/get option "name".
E2011615	UnloadMedia: Failed to write/set option "name".
E2011621	UnloadMedia: Option "barcode" is missing.
E2011622	UnloadMedia: Option "barcode" requires a value
E2011623	UnloadMedia: Option "barcode" has invalid value
E2011624	UnloadMedia: Failed to read/get option "barcode".
E2011625	UnloadMedia: Failed to write/set option "barcode".
E2011631	UnloadMedia: Option "loctype" is missing.
E2011632	UnloadMedia: Option "loctype" requires a value
E2011633	UnloadMedia: Option "loctype" has invalid value
E2011634	UnloadMedia: Failed to read/get option "loctype".
E2011635	UnloadMedia: Failed to write/set option "loctype".
E2011641	UnloadMedia: Option "index" is missing.
E2011642	UnloadMedia: Option "index" requires a value
E2011643	UnloadMedia: Option "index" has invalid value
E2011644	UnloadMedia: Failed to read/get option "index".
E2011645	UnloadMedia: Failed to write/set option "index".
E2011651	UnloadMedia: Failed to read/get option "forceunload".
E2011652	UnloadMedia: Failed to write/set option "forceunload".
E2011655	UnloadMedia: Option "index" is required because another optional option is specified!
E2011656	UnloadMedia: Option "loctype" is required because another optional option is specified!
E2011661	UnloadMedia: Exception caught retrieving VTL information.
E2011662	UnloadMedia: No empty destinations exist in VTL.
E2011663	UnloadMedia: Error retrieving Destination information.
E2011664	UnloadMedia: Location type is invalid.
E2011665	UnloadMedia: No specified media found to unload.
E2011666	UnloadMedia: Error unloading media within VTL.

Error Code	Error Message
E2011667	UnloadMedia: Unable to find first available slot.
E2011668	UnloadMedia: Unable to retrieve any media barcode.
E2011669	Unable to unload media. Can only unload drive or I/E Slot location.
E2011681	UnloadMedia failed!
E2012001	ImportMedia: Option "import" is missing.
E2012002	ImportMedia: Option "import" requires a value
E2012003	ImportMedia: Option "import" has invalid value
E2012004	ImportMedia: Failed to read/get option "import".
E2012005	ImportMedia: Failed to write/set option "import".
E2012011	ImportMedia: Option "name" is missing.
E2012012	ImportMedia: Option "name" requires a value
E2012013	ImportMedia: Option "name" has invalid value
E2012014	ImportMedia: Failed to read/get option "name".
E2012015	ImportMedia: Failed to write/set option "name".
E2012021	ImportMedia: Option "barcode" is missing.
E2012022	ImportMedia: Option "barcode" requires a value
E2012023	ImportMedia: Option "barcode" has invalid value
E2012024	ImportMedia: Failed to read/get option "barcode"
E2012025	ImportMedia: Failed to write/set option "barcode".
E2012031	ImportMedia: Option "all" is missing.
E2012032	ImportMedia: Failed to read/get option "all".
E2012033	ImportMedia: Failed to write/set option "all".
E2012041	ImportMedia: Exception caught retrieving VTL information.
E2012042	ImportMedia: Error retrieving media list for VTL.
E2012043	ImportMedia: Error retrieving Import media list for VTL.
E2012044	ImportMedia: Error importing media to VTL.
E2012045	ImportMedia: No Media imported to VTL.
E2012046	ImportMedia: One of media specified is not in the list for importing to VTL.
E2012061	ImportMedia failed!
E2012101	Media not in list for importing.

Error Code	Error Message
E2012401	DeleteallMedia: Option "deleteall" is missing.
E2012402	DeleteallMedia: Option "deleteall" requires a value
E2012403	DeleteallMedia: Option "deleteall" has invalid value
E2012404	DeleteallMedia: Failed to read/get option "deleteall".
E2012405	DeleteallMedia: Failed to write/set option "deleteall".
E2012411	DeleteallMedia: Option "name" is missing.
E2012412	DeleteallMedia: Option "name" requires a value
E2012413	DeleteallMedia: Option "name" has invalid value
E2012414	DeleteallMedia: Failed to read/get option "name".
E2012415	DeleteallMedia: Failed to write/set option "name".
E2012421	DeleteallMedia: Exception caught retrieving VTL information.
E2012422	DeleteallMedia: Error retrieving media list for VTL.
E2012423	DeleteallMedia: Error retrieving delete media list for VTL.
E2012424	DeleteallMedia: Error deleting media from VTL.
E2012425	DeleteallMedia: No Media deleted from VTL.
E2012441	DeleteallMedia failed!
E2012801	GetDiskusage: Option "get" is missing.
E2012802	GetDiskusage: Option "get" requires a value
E2012803	GetDiskusage: Option "get" has invalid value
E2012804	GetDiskusage: Failed to read/get option "get".
E2012805	GetDiskusage: Failed to write/set option "get".
E2012821	GetDiskusage failed!
E2013201	GetDatareductionstat: Option "get" is missing.
E2013202	GetDatareductionstat: Option "get" requires a value
E2013203	GetDatareductionstat: Option "get" has invalid value
E2013204	GetDatareductionstat: Failed to read/get option "get".
E2013205	GetDatareductionstat: Failed to write/set option "get".
E2013221	GetDatareductionstat failed!
E2013601	GetIngestrate: Option "get" is missing.
E2013602	GetIngestrate: Option "get" requires a value
E2013603	GetIngestrate: Option "get" has invalid value

Error Code	Error Message
E2013604	GetIngestrate: Failed to read/get option "get".
E2013605	GetIngestrate: Failed to write/set option "get".
E2013621	GetIngestrate failed!
E2014001	ResetTargetport: Option "reset" is missing.
E2014002	ResetTargetport: Option "reset" requires a value
E2014003	ResetTargetport: Option "reset" has invalid value
E2014004	ResetTargetport: Failed to read/get option "reset".
E2014005	ResetTargetport: Failed to write/set option "reset".
E2014011	ResetTargetport: Option "name" is missing.
E2014012	ResetTargetport: Option "name" requires a value
E2014013	ResetTargetport: Option "name" has invalid value
E2014014	ResetTargetport: Failed to read/get option "name".
E2014015	ResetTargetport: Failed to write/set option "name".
E2014071	ResetTargetport failed!
E2014072	Target WWPN does not exist
E3000001	The specified name is an OST storage server, not a NAS share!
E3000002	Share does not exist in replication database.
E3000401	ReplicateVtl: Option "replicate" is missing.
E3000402	ReplicateVtl: Option "replicate" requires a value
E3000403	ReplicateVtl: Option "replicate" has invalid value
E3000404	ReplicateVtl: Failed to read/get option "replicate".
E3000405	ReplicateVtl: Failed to write/set option "replicate".
E3000411	ReplicateVtl: Option "name" is missing.
E3000412	ReplicateVtl: Option "name" requires a value
E3000413	ReplicateVtl: Option "name" has invalid value
E3000414	ReplicateVtl: Failed to read/get option "name".
E3000415	ReplicateVtl: Failed to write/set option "name".
E3000421	ReplicateVtl: Option "barcode" is missing.
E3000422	ReplicateVtl: Option "barcode" requires a value
E3000423	ReplicateVtl: Option "barcode" has invalid value
E3000424	ReplicateVtl: Failed to read/get option "barcode".

Error Code	Error Message
E3000425	ReplicateVtl: Failed to write/set option "barcode".
E3000426	ReplicateVtl: Option "barcode" is required because another optional option is specified!
E3000431	ReplicateVtl: Option "namespace" is required because another optional option is specified!
E3000432	ReplicateVtl: Failed to read/get option "namespace".
E3000433	ReplicateVtl: Failed to write/set option "namespace".
E3000434	ReplicateVtl: Option "namespace" is missing.
E3000441	ReplicateVtl: Option "disableok" is missing.
E3000442	ReplicateVtl: Failed to read/get option "disableok".
E3000443	ReplicateVtl: Failed to write/set option "disableok".
E3000461	ReplicateVtl failed!
E3000471	ReplicateVtl: Unable to obtain VTL serial number needed to start replication
E3000801	ReplicateNas: Option "replicate" is missing.
E3000802	ReplicateNas: Option "replicate" requires a value
E3000803	ReplicateNas: Option "replicate" has invalid value
E3000804	ReplicateNas: Failed to read/get option "replicate".
E3000805	ReplicateNas: Failed to write/set option "replicate".
E3000811	ReplicateNas: Option "name" is missing.
E3000812	ReplicateNas: Option "name" requires a value
E3000813	ReplicateNas: Option "name" has invalid value
E3000814	ReplicateNas: Failed to read/get option "name".
E3000815	ReplicateNas: Failed to write/set option "name".
E3000821	ReplicateNas: Option "path" is missing.
E3000822	ReplicateNas: Option "path" is required because another optional option is specified!
E3000823	ReplicateNas: Option "path" requires a value
E3000824	ReplicateNas: Option "path" has invalid value
E3000825	ReplicateNas: Failed to read/get option "path".
E3000826	ReplicateNas: Failed to write/set option "path".
E3000831	ReplicateNas: Option "disableok" is missing.
E3000832	ReplicateNas: Failed to read/get option "disableok".

Error Code	Error Message
E3000833	ReplicateNas: Failed to write/set option "disablelock".
E3000841	ReplicateNas: Option "namespace" is required because another optional option is specified!
E3000842	ReplicateNas: Failed to read/get option "namespace".
E3000843	ReplicateNas: Failed to write/set option "namespace".
E3000861	ReplicateNas failed!
E3000862	ReplicateNas: NAS share does not exist!
E3000863	ReplicateNas: Replication for specified share already started!
E3000864	ReplicateNas: Replication is currently paused or disabled!
E3001201	LockVtl: Option "lock" is missing.
E3001202	LockVtl: Option "lock" requires a value
E3001203	LockVtl: Option "lock" has invalid value
E3001204	LockVtl: Failed to read/get option "lock".
E3001205	LockVtl: Failed to write/set option "lock".
E3001211	LockVtl: Option "name" is missing.
E3001212	LockVtl: Option "name" requires a value
E3001213	LockVtl: Option "name" has invalid value
E3001214	LockVtl: Failed to read/get option "name".
E3001215	LockVtl: Failed to write/set option "name".
E3001221	LockVtl: Option "wait" is missing.
E3001222	LockVtl: Option "wait" is required because another optional option is specified!
E3001223	LockVtl: Failed to read/get option "wait".
E3001224	LockVtl: Failed to write/set option "wait".
E3001231	LockVtl: Failed to get lock status.
E3001232	LockVtl: Already locked.
E3001241	LockVtl failed!
E3001601	LockNas: Option "lock" is missing.
E3001602	LockNas: Option "lock" requires a value
E3001603	LockNas: Option "lock" has invalid value
E3001604	LockNas: Failed to read/get option "lock".
E3001605	LockNas: Failed to write/set option "lock".

Error Code	Error Message
E3001611	LockNas: Option "name" is missing.
E3001612	LockNas: Option "name" requires a value
E3001613	LockNas: Option "name" has invalid value
E3001614	LockNas: Failed to read/get option "name".
E3001615	LockNas: Failed to write/set option "name".
E3001621	LockNas: Option "wait" is missing.
E3001622	LockNas: Option "wait" is required because another optional option is specified!
E3001623	LockNas: Failed to read/get option "wait".
E3001624	LockNas: Failed to write/set option "wait".
E3001631	LockNas: Failed to get lock status.
E3001632	LockNas: Already locked.
E3001641	LockNas failed!
E3002001	UnlockVtl: Option "unlock" is missing.
E3002002	UnlockVtl: Option "unlock" requires a value
E3002003	UnlockVtl: Option "unlock" has invalid value
E3002004	UnlockVtl: Failed to read/get option "unlock".
E3002005	UnlockVtl: Failed to write/set option "unlock".
E3002011	UnlockVtl: Option "name" is missing.
E3002012	UnlockVtl: Option "name" requires a value
E3002013	UnlockVtl: Option "name" has invalid value
E3002014	UnlockVtl: Failed to read/get option "name".
E3002015	UnlockVtl: Failed to write/set option "name".
E3002021	UnlockVtl: Option "force" is missing.
E3002022	UnlockVtl: Failed to read/get option "force".
E3002023	UnlockVtl: Failed to write/set option "force".
E3002031	UnlockVtl: Failed to get lock status.
E3002032	UnlockVtl: Already unlocked.
E3002041	UnlockVtl failed!
E3002401	UnlockNas: Option "unlock" is missing.
E3002402	UnlockNas: Option "unlock" requires a value
E3002403	UnlockNas: Option "unlock" has invalid value

Error Code	Error Message
E3002404	UnlockNas: Failed to read/get option "unlock".
E3002405	UnlockNas: Failed to write/set option "unlock".
E3002411	UnlockNas: Option "name" is missing.
E3002412	UnlockNas: Option "name" requires a value
E3002413	UnlockNas: Option "name" has invalid value
E3002414	UnlockNas: Failed to read/get option "name".
E3002415	UnlockNas: Failed to write/set option "name".
E3002421	UnlockNas: Option "force" is missing.
E3002422	UnlockNas: Failed to read/get option "force".
E3002423	UnlockNas: Failed to write/set option "force".
E3002431	UnlockNas: Failed to get lock status.
E3002432	UnlockNas: Already unlocked.
E3002441	UnlockNas failed!
E3002801	GetstatusVtllock: Option "getstatus" is missing.
E3002802	GetstatusVtllock: Option "getstatus" requires a value
E3002803	GetstatusVtllock: Option "getstatus" has invalid value
E3002804	GetstatusVtllock: Failed to read/get option "getstatus".
E3002805	GetstatusVtllock: Failed to write/set option "getstatus".
E3002811	GetstatusVtllock: Option "name" is missing.
E3002812	GetstatusVtllock: Option "name" requires a value
E3002813	GetstatusVtllock: Option "name" has invalid value
E3002814	GetstatusVtllock: Failed to read/get option "name".
E3002815	GetstatusVtllock: Failed to write/set option "name".
E3002831	GetstatusVtllock failed!
E3003201	GetstatusNaslock: Option "getstatus" is missing.
E3003202	GetstatusNaslock: Option "getstatus" requires a value
E3003203	GetstatusNaslock: Option "getstatus" has invalid value
E3003204	GetstatusNaslock: Failed to read/get option "getstatus".
E3003205	GetstatusNaslock: Failed to write/set option "getstatus".
E3003211	GetstatusNaslock: Option "name" is missing.
E3003212	GetstatusNaslock: Option "name" requires a value

Error Code	Error Message
E3003213	GetstatusNaslock: Option "name" has invalid value
E3003214	GetstatusNaslock: Failed to read/get option "name".
E3003215	GetstatusNaslock: Failed to write/set option "name".
E3003231	GetstatusNaslock failed!
E3003601	SyncVtl: Option "sync" is missing.
E3003602	SyncVtl: Option "sync" requires a value
E3003603	SyncVtl: Option "sync" has invalid value
E3003604	SyncVtl: Failed to read/get option "sync".
E3003605	SyncVtl: Failed to write/set option "sync".
E3003611	SyncVtl: Option "name" is missing.
E3003612	SyncVtl: Option "name" requires a value
E3003613	SyncVtl: Option "name" has invalid value
E3003614	SyncVtl: Failed to read/get option "name".
E3003615	SyncVtl: Failed to write/set option "name".
E3003631	SyncVtl failed!
E3003641	SyncVtl: Replication is not enabled for the VTL.
E3003642	SyncVtl: Deduplication is not enabled for the VTL.
E3003643	SyncVtl: Cartridge base replication is not enabled for the VTL.
E3004001	SyncNas: Option "sync" is missing.
E3004002	SyncNas: Option "sync" requires a value
E3004003	SyncNas: Option "sync" has invalid value
E3004004	SyncNas: Failed to read/get option "sync".
E3004005	SyncNas: Failed to write/set option "sync".
E3004011	SyncNas: Option "name" is missing.
E3004012	SyncNas: Option "name" requires a value
E3004013	SyncNas: Option "name" has invalid value
E3004014	SyncNas: Failed to read/get option "name".
E3004015	SyncNas: Failed to write/set option "name".
E3004031	SyncNas failed!
E3004041	SyncNas: Replication is not enabled for the Share.
E3004042	SyncNas: Deduplication is not enabled for the Share.

Error Code	Error Message
E3004043	SyncNas: File/Directory base replication is not enabled for the Share.
E3004401	GenrptReplication: Option "genrpt" is missing.
E3004402	GenrptReplication: Option "genrpt" requires a value
E3004403	GenrptReplication: Option "genrpt" has invalid value
E3004404	GenrptReplication: Failed to read/get option "genrpt".
E3004405	GenrptReplication: Failed to write/set option "genrpt".
E3004406	GENRPTREPLICATION failed.
E3004801	GetstatusTrigger: Option "getstatus" is missing.
E3004802	GetstatusTrigger: Option "getstatus" requires a value
E3004803	GetstatusTrigger: Option "getstatus" has invalid value
E3004804	GetstatusTrigger: Failed to read/get option "getstatus".
E3004805	GetstatusTrigger: Failed to write/set option "getstatus".
E3004811	GetstatusTrigger: Option "source" is missing.
E3004812	GetstatusTrigger: Failed to read/get option "source".
E3004813	GetstatusTrigger: Failed to write/set option "source".
E3004821	GetstatusTrigger: Option "target" is missing.
E3004822	GetstatusTrigger: Failed to read/get option "target".
E3004823	GetstatusTrigger: Failed to write/set option "target".
E3004841	GetstatusTrigger failed!
E3005201	GetstatusSync: Option "getstatus" is missing.
E3005202	GetstatusSync: Option "getstatus" requires a value
E3005203	GetstatusSync: Option "getstatus" has invalid value
E3005204	GetstatusSync: Failed to read/get option "getstatus".
E3005205	GetstatusSync: Failed to write/set option "getstatus".
E3005211	GetstatusSync: Option "source" is missing.
E3005212	GetstatusSync: Failed to read/get option "source".
E3005213	GetstatusSync: Failed to write/set option "source".
E3005221	GetstatusSync: Option "target" is missing.
E3005222	GetstatusSync: Failed to read/get option "target".
E3005223	GetstatusSync: Failed to write/set option "target".
E3005241	GetstatusSync failed!

Error Code	Error Message
E3005601	ListSourcerep: Option "list" is missing.
E3005602	ListSourcerep: Option "list" requires a value
E3005603	ListSourcerep: Option "list" has invalid value
E3005604	ListSourcerep: Failed to read/get option "list".
E3005605	ListSourcerep: Failed to write/set option "list".
E3005701	ListSourcerep failed!
E3006001	AddSourcerep: Option "add" is missing.
E3006002	AddSourcerep: Option "add" requires a value
E3006003	AddSourcerep: Option "add" has invalid value
E3006004	AddSourcerep: Failed to read/get option "add".
E3006005	AddSourcerep: Failed to write/set option "add".
E3006011	AddSourcerep: Option "hostid" is missing.
E3006012	AddSourcerep: Option "hostid" requires a value
E3006013	AddSourcerep: Option "hostid" has invalid value
E3006014	AddSourcerep: Failed to read/get option "hostid".
E3006015	AddSourcerep: Failed to write/set option "hostid".
E3006051	AddSourcerep: Failed to get the current source hostids.
E3006052	AddSourcerep: The IP or hostname already exists.
E3006053	AddSourcerep: Cannot add any more source host - maximum number of allowed source host is reached.
E3006054	AddSourcerep: Host Address is not a valid IPV4 address.
E3006055	AddSourcerep: Host Address is not a valid IPV6 address.
E3006101	AddSourcerep failed!
E3006401	DelSourcerep: Option "del" is missing.
E3006402	DelSourcerep: Option "del" requires a value
E3006403	DelSourcerep: Option "del" has invalid value
E3006404	DelSourcerep: Failed to read/get option "del".
E3006405	DelSourcerep: Failed to write/set option "del".
E3006411	DelSourcerep: Option "hostid" is missing.
E3006412	DelSourcerep: Option "hostid" requires a value
E3006413	DelSourcerep: Option "hostid" has invalid value
E3006414	DelSourcerep: Failed to read/get option "hostid".

Error Code	Error Message
E3006415	DelSourcerep: Failed to write/set option "hostid".
E3006451	DelSourcerep: Failed to get the current source hostids.
E3006452	DelSourcerep: The IP or hostname doesn't exist.
E3006501	DelSourcerep failed!
E3006801	ListTargetrep: Option "list" is missing.
E3006802	ListTargetrep: Option "list" requires a value
E3006803	ListTargetrep: Option "list" has invalid value
E3006804	ListTargetrep: Failed to read/get option "list".
E3006805	ListTargetrep: Failed to write/set option "list".
E3006901	ListTargetrep failed!
E3007201	AddTargetrep: Option "add" is missing.
E3007202	AddTargetrep: Option "add" requires a value
E3007203	AddTargetrep: Option "add" has invalid value
E3007204	AddTargetrep: Failed to read/get option "add".
E3007205	AddTargetrep: Failed to write/set option "add".
E3007211	AddTargetrep: Option "hostid" is missing.
E3007212	AddTargetrep: Option "hostid" requires a value
E3007213	AddTargetrep: Option "hostid" has invalid value
E3007214	AddTargetrep: Failed to read/get option "hostid".
E3007215	AddTargetrep: Failed to write/set option "hostid".
E3007216	AddTargetrep: Option "encrypt" is missing.
E3007217	AddTargetrep: Option "encrypt" requires a value
E3007218	AddTargetrep: Option "encrypt" has invalid value
E3007219	AddTargetrep: Failed to read/get option "encrypt".
E3007220	AddTargetrep: Failed to write/set option "encrypt"
E3007251	AddTargetrep: Failed to get the current source hostids.
E3007252	AddTargetrep: The IP or hostname already exists.
E3007261	AddTargetrep: Option "encrypttype" requires a value
E3007262	AddTargetrep: Option "encrypttype" has invalid value
E3007263	AddTargetrep: Failed to read/get option "encrypttype".
E3007264	AddTargetrep: Failed to write/set option "encrypttype".

Error Code	Error Message
E3007271	AddTargetrep: Option "sourceip" is missing.
E3007272	AddTargetrep: Option "sourceip" requires a value
E3007273	AddTargetrep: Option "sourceip" has invalid value
E3007274	AddTargetrep: Failed to read/get option "sourceip".
E3007275	AddTargetrep: Failed to write/set option "sourceip".
E3007276	AddTargetrep: Option "encrypt" is required because another optional option is specified!
E3007301	AddTargetrep failed!
E3007601	DelTargetrep: Option "del" is missing.
E3007602	DelTargetrep: Option "del" requires a value
E3007603	DelTargetrep: Option "del" has invalid value
E3007604	DelTargetrep: Failed to read/get option "del".
E3007605	DelTargetrep: Failed to write/set option "del".
E3007611	DelTargetrep: Option "hostid" is missing.
E3007612	DelTargetrep: Option "hostid" requires a value
E3007613	DelTargetrep: Option "hostid" has invalid value
E3007614	DelTargetrep: Failed to read/get option "hostid".
E3007615	DelTargetrep: Failed to write/set option "hostid".
E3007651	DelTargetrep: Failed to get the current source hostids.
E3007652	DelTargetrep: The IP or hostname doesn't exist.
E3007701	DelTargetrep failed!
E3007702	DelTargetrep failed, must pause replication service before deleting target hostid.
E3008001	EnablerepVtl: Option "enablerep" is missing.
E3008002	EnablerepVtl: Option "enablerep" requires a value
E3008003	EnablerepVtl: Option "enablerep" has invalid value
E3008004	EnablerepVtl: Failed to read/get option "enablerep".
E3008005	EnablerepVtl: Failed to write/set option "enablerep".
E3008011	EnablerepVtl: Option "name" is missing.
E3008012	EnablerepVtl: Option "name" requires a value
E3008013	EnablerepVtl: Option "name" has invalid value
E3008014	EnablerepVtl: Failed to read/get option "name".

Error Code	Error Message
E3008015	EnablerepVtl: Failed to write/set option "name".
E3008021	EnablerepVtl: Option "daily" is missing.
E3008022	EnablerepVtl: Option "daily" requires a value
E3008023	EnablerepVtl: Option "daily" has invalid value
E3008024	EnablerepVtl: Failed to read/get option "daily".
E3008025	EnablerepVtl: Failed to write/set option "daily".
E3008026	EnablerepVtl: Option "daily" is required because another optional option is specified!
E3008031	EnablerepVtl: Option "cartbase" is missing.
E3008032	EnablerepVtl: Option "cartbase" has invalid value
E3008033	EnablerepVtl: Failed to read/get option "cartbase".
E3008034	EnablerepVtl: Failed to write/set option "cartbase".
E3008041	EnablerepVtl: Option "syncid" is missing.
E3008042	EnablerepVtl: Option "syncid" requires a value
E3008043	EnablerepVtl: Option "syncid" has invalid value
E3008044	EnablerepVtl: Failed to read/get option "syncid".
E3008045	EnablerepVtl: Failed to write/set option "syncid".
E3008051	EnablerepVtl: Failed to get enable status.
E3008052	EnablerepVtl: This VTL is already enabled.
E3008061	EnablerepVtl: Option "hourinterval" is required because another optional option is specified!
E3008062	EnablerepVtl: Option "hourinterval" requires a value
E3008063	EnablerepVtl: Option "hourinterval" has invalid value
E3008064	EnablerepVtl: Failed to read/get option "hourinterval".
E3008065	EnablerepVtl: Failed to write/set option "hourinterval".
E3008066	EnablerepVtl: Option "hourinterval" is required because another option has been specified!
E3008071	EnablerepVtl: Option "starttime" requires a value
E3008072	EnablerepVtl: Option "starttime" has invalid value
E3008073	EnablerepVtl: Failed to read/get option "starttime".
E3008074	EnablerepVtl: Failed to write/set option "starttime".
E3008075	EnablerepVtl: Option "starttime" is required because another optional option is specified!

Error Code	Error Message
E3008076	EnablerepVtl: Option "starttime" is required because another option has been specified!
E3008101	EnablerepVtl failed!
E3008401	DisablerepVtl: Option "disablerep" is missing.
E3008402	DisablerepVtl: Option "disablerep" requires a value
E3008403	DisablerepVtl: Option "disablerep" has invalid value
E3008404	DisablerepVtl: Failed to read/get option "disablerep".
E3008405	DisablerepVtl: Failed to write/set option "disablerep".
E3008411	DisablerepVtl: Option "name" is missing.
E3008412	DisablerepVtl: Option "name" requires a value
E3008413	DisablerepVtl: Option "name" has invalid value
E3008414	DisablerepVtl: Failed to read/get option "name".
E3008415	DisablerepVtl: Failed to write/set option "name".
E3008421	DisablerepVtl: Option "nodaily" is missing.
E3008422	DisablerepVtl: Failed to read/get option "nodaily".
E3008423	DisablerepVtl: Failed to write/set option "nodaily".
E3008431	DisablerepVtl: Option "nocartbase" is missing.
E3008432	DisablerepVtl: Failed to read/get option "nocartbase".
E3008433	DisablerepVtl: Failed to write/set option "nocartbase".
E3008451	DisablerepVtl: Failed to get enable status.
E3008452	DisablerepVtl: This VTL is already disabled.
E3008501	DisablerepVtl failed!
E3008801	EnablerepNas: Option "enablerep" is missing.
E3008802	EnablerepNas: Option "enablerep" requires a value
E3008803	EnablerepNas: Option "enablerep" has invalid value
E3008804	EnablerepNas: Failed to read/get option "enablerep".
E3008805	EnablerepNas: Failed to write/set option "enablerep".
E3008811	EnablerepNas: Option "name" is missing.
E3008812	EnablerepNas: Option "name" requires a value
E3008813	EnablerepNas: Option "name" has invalid value
E3008814	EnablerepNas: Failed to read/get option "name".
E3008815	EnablerepNas: Failed to write/set option "name".

Error Code	Error Message
E3008821	EnablerepNas: Option "daily" is missing.
E3008822	EnablerepNas: Option "daily" requires a value
E3008823	EnablerepNas: Option "daily" has invalid value
E3008824	EnablerepNas: Failed to read/get option "daily".
E3008825	EnablerepNas: Failed to write/set option "daily".
E3008826	EnablerepNas: Option "daily" is required because another optional option is specified!
E3008831	EnablerepNas: Option "filedirbase" is missing.
E3008832	EnablerepNas: Option "filedirbase" has invalid value
E3008833	EnablerepNas: Failed to read/get option "filedirbase".
E3008834	EnablerepNas: Failed to write/set option "filedirbase".
E3008841	EnablerepNas: Option "syncid" is missing.
E3008842	EnablerepNas: Option "syncid" requires a value
E3008843	EnablerepNas: Option "syncid" has invalid value
E3008844	EnablerepNas: Failed to read/get option "syncid".
E3008845	EnablerepNas: Failed to write/set option "syncid".
E3008851	EnablerepNas: Failed to get enable status.
E3008852	EnablerepNas: This NAS share is already enabled.
E3008861	EnablerepNas: Option "hourinterval" is required because another optional option is specified!
E3008862	EnablerepNas: Option "hourinterval" requires a value
E3008863	EnablerepNas: Option "hourinterval" has invalid value
E3008864	EnablerepNas: Failed to read/get option "hourinterval".
E3008865	EnablerepNas: Failed to write/set option "hourinterval".
E3008871	EnablerepNas: Option "starttime" requires a value
E3008872	EnablerepNas: Option "starttime" has invalid value
E3008873	EnablerepNas: Failed to read/get option "starttime".
E3008874	EnablerepNas: Failed to write/set option "starttime".
E3008875	EnablerepNas: Option "starttime" is required because another optional option has been specified!
E3008901	EnablerepNas failed!
E3009201	DisablerepNas: Option "disablerep" is missing.

Error Code	Error Message
E3009202	DisablerepNas: Option "disablerep" requires a value
E3009203	DisablerepNas: Option "disablerep" has invalid value
E3009204	DisablerepNas: Failed to read/get option "disablerep".
E3009205	DisablerepNas: Failed to write/set option "disablerep".
E3009211	DisablerepNas: Option "name" is missing.
E3009212	DisablerepNas: Option "name" requires a value
E3009213	DisablerepNas: Option "name" has invalid value
E3009214	DisablerepNas: Failed to read/get option "name".
E3009215	DisablerepNas: Failed to write/set option "name".
E3009221	DisablerepNas: Option "nodaily" is missing.
E3009222	DisablerepNas: Failed to read/get option "nodaily".
E3009223	DisablerepNas: Failed to write/set option "nodaily".
E3009231	DisablerepNas: Option "nofiledirbase" is missing.
E3009232	DisablerepNas: Failed to read/get option "nofiledirbase".
E3009233	DisablerepNas: Failed to write/set option "nofiledirbase".
E3009251	DisablerepNas: Failed to get enable status.
E3009252	DisablerepNas: This NAS share is already disabled.
E3009301	DisablerepNas failed!
E3009601	CheckrepreadyVtl: Option "checkrepready" is missing.
E3009602	CheckrepreadyVtl: Option "checkrepready" requires a value
E3009603	CheckrepreadyVtl: Option "checkrepready" has invalid value
E3009604	CheckrepreadyVtl: Failed to read/get option "checkrepready".
E3009605	CheckrepreadyVtl: Failed to write/set option "checkrepready".
E3009611	CheckrepreadyVtl: Option "name" is missing.
E3009612	CheckrepreadyVtl: Option "name" requires a value
E3009613	CheckrepreadyVtl: Option "name" has invalid value
E3009614	CheckrepreadyVtl: Failed to read/get option "name".
E3009615	CheckrepreadyVtl: Failed to write/set option "name".
E3009631	CheckrepreadyVtl failed!
E3010001	CheckrepreadyNas: Option "checkrepready" is missing.
E3010002	CheckrepreadyNas: Option "checkrepready" requires a value

Error Code	Error Message
E3010003	CheckrepreadyNas: Option "checkrepready" has invalid value
E3010004	CheckrepreadyNas: Failed to read/get option "checkrepready".
E3010005	CheckrepreadyNas: Failed to write/set option "checkrepready".
E3010011	CheckrepreadyNas: Option "name" is missing.
E3010012	CheckrepreadyNas: Option "name" requires a value
E3010013	CheckrepreadyNas: Option "name" has invalid value
E3010014	CheckrepreadyNas: Failed to read/get option "name".
E3010015	CheckrepreadyNas: Failed to write/set option "name".
E3010031	CheckrepreadyNas failed!
E3010401	AbortrepVtl: Option "abortrep" is missing.
E3010402	AbortrepVtl: Option "abortrep" requires a value
E3010403	AbortrepVtl: Option "abortrep" has invalid value
E3010404	AbortrepVtl: Failed to read/get option "abortrep".
E3010405	AbortrepVtl: Failed to write/set option "abortrep".
E3010411	AbortrepVtl: Option "name" is missing.
E3010412	AbortrepVtl: Option "name" requires a value
E3010413	AbortrepVtl: Option "name" has invalid value
E3010414	AbortrepVtl: Failed to read/get option "name".
E3010415	AbortrepVtl: Failed to write/set option "name".
E3010421	AbortrepVtl failed!
E3010801	AbortrepNas: Option "abortrep" is missing.
E3010802	AbortrepNas: Option "abortrep" requires a value
E3010803	AbortrepNas: Option "abortrep" has invalid value
E3010804	AbortrepNas: Failed to read/get option "abortrep".
E3010805	AbortrepNas: Failed to write/set option "abortrep".
E3010811	AbortrepNas: Option "name" is missing.
E3010812	AbortrepNas: Option "name" requires a value
E3010813	AbortrepNas: Option "name" has invalid value
E3010814	AbortrepNas: Failed to read/get option "name".
E3010815	AbortrepNas: Failed to write/set option "name".
E3010821	AbortrepNas failed!

Error Code	Error Message
E3011201	AbortsyncVtl: Option "abortsync" is missing.
E3011202	AbortsyncVtl: Option "abortsync" requires a value
E3011203	AbortsyncVtl: Option "abortsync" has invalid value
E3011204	AbortsyncVtl: Failed to read/get option "abortsync".
E3011205	AbortsyncVtl: Failed to write/set option "abortsync".
E3011211	AbortsyncVtl: Option "name" is missing.
E3011212	AbortsyncVtl: Option "name" requires a value
E3011213	AbortsyncVtl: Option "name" has invalid value
E3011214	AbortsyncVtl: Failed to read/get option "name".
E3011215	AbortsyncVtl: Failed to write/set option "name".
E3011221	AbortsyncVtl failed!
E3011601	AbortsyncNas: Option "abortsync" is missing.
E3011602	AbortsyncNas: Option "abortsync" requires a value
E3011603	AbortsyncNas: Option "abortsync" has invalid value
E3011604	AbortsyncNas: Failed to read/get option "abortsync".
E3011605	AbortsyncNas: Failed to write/set option "abortsync".
E3011611	AbortsyncNas: Option "name" is missing.
E3011612	AbortsyncNas: Option "name" requires a value
E3011613	AbortsyncNas: Option "name" has invalid value
E3011614	AbortsyncNas: Failed to read/get option "name".
E3011615	AbortsyncNas: Failed to write/set option "name".
E3011621	AbortsyncNas failed!
E3012001	PauseReplication: Option "pause" is missing.
E3012002	PauseReplication: Option "pause" requires a value
E3012003	PauseReplication: Option "pause" has invalid value
E3012004	PauseReplication: Failed to read/get option "pause".
E3012005	PauseReplication: Failed to write/set option "pause".
E3012006	PauseReplication: Already paused.
E3012007	PauseReplication: Failed to get the pause status.
E3012021	PauseReplication failed!
E3012401	ResumeReplication: Option "resume" is missing.

Error Code	Error Message
E3012402	ResumeReplication: Option "resume" requires a value
E3012403	ResumeReplication: Option "resume" has invalid value
E3012404	ResumeReplication: Failed to read/get option "resume".
E3012405	ResumeReplication: Failed to write/set option "resume".
E3012406	ResumeReplication: Already resumed.
E3012407	ResumeReplication: Failed to get the pause status.
E3012421	ResumeReplication failed!
E3012801	EnablerepAll: Option "enablerep" is missing.
E3012802	EnablerepAll: Option "enablerep" requires a value
E3012803	EnablerepAll: Option "enablerep" has invalid value
E3012804	EnablerepAll: Failed to read/get option "enablerep".
E3012805	EnablerepAll: Failed to write/set option "enablerep".
E3012821	EnablerepAll failed!
E3013201	DisablerepAll: Option "disablerep" is missing.
E3013202	DisablerepAll: Option "disablerep" requires a value
E3013203	DisablerepAll: Option "disablerep" has invalid value
E3013204	DisablerepAll: Failed to read/get option "disablerep".
E3013205	DisablerepAll: Failed to write/set option "disablerep".
E3013221	DisablerepAll failed!
E3013601	ClearStats: Option "clear" is missing.
E3013602	ClearStats: Option "clear" requires a value
E3013603	ClearStats: Option "clear" has invalid value
E3013604	ClearStats: Failed to read/get option "clear".
E3013605	ClearStats: Failed to write/set option "clear".
E3013611	ClearStats: Option "sent" is missing.
E3013612	ClearStats: Failed to read/get option "sent".
E3013613	ClearStats: Failed to write/set option "sent".
E3013621	ClearStats: Option "received" is missing.
E3013622	ClearStats: Failed to read/get option "received".
E3013623	ClearStats: Failed to write/set option "received".
E3013641	ClearStats failed!

Error Code	Error Message
E3014001	ListDedupvttl: Option "list" is missing.
E3014002	ListDedupvttl: Option "list" requires a value
E3014003	ListDedupvttl: Option "list" has invalid value
E3014004	ListDedupvttl: Failed to read/get option "list".
E3014005	ListDedupvttl: Failed to write/set option "list".
E3014021	ListDedupvttl failed!
E3014401	ListDedupnas: Option "list" is missing.
E3014402	ListDedupnas: Option "list" requires a value
E3014403	ListDedupnas: Option "list" has invalid value
E3014404	ListDedupnas: Failed to read/get option "list".
E3014405	ListDedupnas: Failed to write/set option "list".
E3014421	ListDedupnas failed!
E3014451	ListDedupnas: Option "name" requires a value
E3014452	ListDedupnas: Option "name" has invalid value
E3014453	ListDedupnas: Value of option "name" is too long
E3014454	ListDedupnas: Failed to read/get option "name".
E3014455	ListDedupnas: Failed to write/set option "name".
E3014801	EnableCartrep: Option "enable" is missing.
E3014802	EnableCartrep: Option "enable" requires a value
E3014803	EnableCartrep: Option "enable" has invalid value
E3014804	EnableCartrep: Failed to read/get option "enable".
E3014805	EnableCartrep: Failed to write/set option "enable".
E3014811	EnableCartrep: Option "name" is missing.
E3014812	EnableCartrep: Option "name" requires a value
E3014813	EnableCartrep: Option "name" has invalid value
E3014814	EnableCartrep: Failed to read/get option "name".
E3014815	EnableCartrep: Failed to write/set option "name".
E3014821	EnableCartrep: Option "syncid" is missing.
E3014822	EnableCartrep: Option "syncid" requires a value
E3014823	EnableCartrep: Option "syncid" has invalid value
E3014824	EnableCartrep: Failed to read/get option "syncid".

Error Code	Error Message
E3014825	EnableCartrep: Failed to write/set option "syncid".
E3014831	EnableCartrep: Option "locked" is missing.
E3014832	EnableCartrep: Failed to read/get option "locked".
E3014833	EnableCartrep: Failed to write/set option "locked".
E3014851	EnableCartrep: Failed to get cartridge based replication enable status.
E3014852	EnableCartrep: This VTL is already cartridge based replication enabled.
E3014853	EnableCartrep: Failed to get lock status.
E3014901	EnableCartrep failed!
E3014911	EnableCartrep: VTL has deduplication disabled.
E3015201	DisableCartrep: Option "disable" is missing.
E3015202	DisableCartrep: Option "disable" requires a value
E3015203	DisableCartrep: Option "disable" has invalid value
E3015204	DisableCartrep: Failed to read/get option "disable".
E3015205	DisableCartrep: Failed to write/set option "disable".
E3015211	DisableCartrep: Option "name" is missing.
E3015212	DisableCartrep: Option "name" requires a value
E3015213	DisableCartrep: Option "name" has invalid value
E3015214	DisableCartrep: Failed to read/get option "name".
E3015215	DisableCartrep: Failed to write/set option "name".
E3015216	DisableCartrep: Failed to get cartridge based replication enable status.
E3015217	DisableCartrep: This VTL is already disabled for cartridge based replication.
E3015231	DisableCartrep failed!
E3015241	DisableCartrep: VTL has deduplication disabled.
E3015601	EnableFiledirrep: Option "enable" is missing.
E3015602	EnableFiledirrep: Option "enable" requires a value
E3015603	EnableFiledirrep: Option "enable" has invalid value
E3015604	EnableFiledirrep: Failed to read/get option "enable".
E3015605	EnableFiledirrep: Failed to write/set option "enable".
E3015611	EnableFiledirrep: Option "name" is missing.

Error Code	Error Message
E3015612	EnableFiledirrep: Option "name" requires a value
E3015613	EnableFiledirrep: Option "name" has invalid value
E3015614	EnableFiledirrep: Failed to read/get option "name".
E3015615	EnableFiledirrep: Failed to write/set option "name".
E3015621	EnableFiledirrep: Option "syncid" is missing.
E3015622	EnableFiledirrep: Option "syncid" requires a value
E3015623	EnableFiledirrep: Option "syncid" has invalid value
E3015624	EnableFiledirrep: Failed to read/get option "syncid".
E3015625	EnableFiledirrep: Failed to write/set option "syncid".
E3015631	EnableFiledirrep: Option "locked" is missing.
E3015632	EnableFiledirrep: Failed to read/get option "locked".
E3015633	EnableFiledirrep: Failed to write/set option "locked".
E3015651	EnableFiledirrep: Failed to get file/directory based replication enable status.
E3015652	EnableFiledirrep: This NAS share is already file/directory based replication enabled.
E3015653	EnableFiledirrep: Failed to get lock status.
E3015701	EnableFiledirrep failed!
E3015711	EnableFiledirrep: Share has deduplication disabled.
E3016001	DisableFiledirrep: Option "disable" is missing.
E3016002	DisableFiledirrep: Option "disable" requires a value
E3016003	DisableFiledirrep: Option "disable" has invalid value
E3016004	DisableFiledirrep: Failed to read/get option "disable".
E3016005	DisableFiledirrep: Failed to write/set option "disable".
E3016011	DisableFiledirrep: Option "name" is missing.
E3016012	DisableFiledirrep: Option "name" requires a value
E3016013	DisableFiledirrep: Option "name" has invalid value
E3016014	DisableFiledirrep: Failed to read/get option "name".
E3016015	DisableFiledirrep: Failed to write/set option "name".
E3016016	DisableFiledirrep: Failed to get file/directory based replication enable status.
E3016017	DisableFiledirrep: This NAS share is already disabled for file/directory based replication.

Error Code	Error Message
E3016031	DisableFiledirrep failed!
E3016041	DisableFiledirrep: Share has deduplication disabled.
E3016401	ListRepvttl: Option "list" is missing.
E3016402	ListRepvttl: Option "list" requires a value
E3016403	ListRepvttl: Option "list" has invalid value
E3016404	ListRepvttl: Failed to read/get option "list".
E3016405	ListRepvttl: Failed to write/set option "list".
E3016421	ListRepvttl failed!
E3016801	RecoverVttl: Option "recover" is missing.
E3016802	RecoverVttl: Option "recover" requires a value
E3016803	RecoverVttl: Option "recover" has invalid value
E3016804	RecoverVttl: Failed to read/get option "recover".
E3016805	RecoverVttl: Failed to write/set option "recover".
E3016811	RecoverVttl: Option "rename" is missing.
E3016812	RecoverVttl: Option "rename" requires a value
E3016813	RecoverVttl: Option "rename" has invalid value
E3016814	RecoverVttl: Failed to read/get option "rename".
E3016815	RecoverVttl: Failed to write/set option "rename".
E3016821	RecoverVttl: Option "recname" is missing.
E3016822	RecoverVttl: Option "recname" requires a value
E3016823	RecoverVttl: Option "recname" has invalid value
E3016824	RecoverVttl: Failed to read/get option "recname".
E3016825	RecoverVttl: Failed to write/set option "recname".
E3016831	RecoverVttl: Option "srchost" is missing.
E3016832	RecoverVttl: Option "srchost" requires a value
E3016833	RecoverVttl: Option "srchost" has invalid value
E3016834	RecoverVttl: Failed to read/get option "srchost".
E3016835	RecoverVttl: Failed to write/set option "srchost".
E3016841	RecoverVttl: Option "id" is missing.
E3016842	RecoverVttl: Option "id" requires a value
E3016843	RecoverVttl: Option "id" has invalid value

Error Code	Error Message
E3016844	RecoverVtl: Failed to read/get option "id".
E3016845	RecoverVtl: Failed to write/set option "id".
E3016851	RecoverVtl: Failed to read/get option "submit".
E3016852	RecoverVtl: Failed to write/set option "submit".
E3016861	RecoverVtl: No replicated VTL exists on this target
E3016862	RecoverVtl: Recovered VTL specified already exists.
E3016863	RecoverVtl: Duplicate barcode(s) detected, VTL cannot be recovered.
E3016864	RecoverVtl: Maximum number of VTL exceeded. Cartridges were recovered into the "unassigned" area.
E3016865	RecoverVtl: One of the barcode(s) was not found. Cartridges were recovered into the "unassigned" area.
E3016866	RecoverVtl: VTL name is already being use by another VTL. Cartridges were recovered.
E3016867	RecoverVtl: Invalid number of empty storage bins. Cartridges were recovered.
E3016868	RecoverVtl: One of the specified tape drives has already been assigned to another VTL. Cartridges were recovered into the "unassigned" area.
E3016869	RecoverVtl: One of the specified tape cartridges has already been assigned to another VTL. Cartridges were recovered into the "unassigned" area.
E3016870	RecoverVtl: Invalid VTL name. Please enter a valid VTL name.
E3016871	RecoverVtl: The specfied VTL was not found.
E3016872	RecoverVtl: One or more tape drives are loaded. Cartridges were recovered into the "unassigned" area.
E3016873	RecoverVtl: No replicated VTL found on target.
E3016874	RecoverVtl: Failed to read result from file.
E3016901	RecoverVtl failed!
E3017201	DelRepvtl: Option "del" is missing.
E3017202	DelRepvtl: Option "del" requires a value
E3017203	DelRepvtl: Option "del" has invalid value
E3017204	DelRepvtl: Failed to read/get option "del".
E3017205	DelRepvtl: Failed to write/set option "del".
E3017211	DelRepvtl: Option "rename" is missing.

Error Code	Error Message
E3017212	DelRepvtl: Option "rename" requires a value
E3017213	DelRepvtl: Option "rename" has invalid value
E3017214	DelRepvtl: Failed to read/get option "rename".
E3017215	DelRepvtl: Failed to write/set option "rename".
E3017221	DelRepvtl: Option "srchost" is missing.
E3017222	DelRepvtl: Option "srchost" requires a value
E3017223	DelRepvtl: Option "srchost" has invalid value
E3017224	DelRepvtl: Failed to read/get option "srchost".
E3017225	DelRepvtl: Failed to write/set option "srchost".
E3017231	DelRepvtl: Option "id" is missing.
E3017232	DelRepvtl: Option "id" requires a value
E3017233	DelRepvtl: Option "id" has invalid value
E3017234	DelRepvtl: Failed to read/get option "id".
E3017235	DelRepvtl: Failed to write/set option "id".
E3017241	DelRepvtl: Unable to delete replicated VTL.
E3017242	DelRepvtl: No replicated VTL matching specified VTL found on target to delete.
E3017251	DelRepvtl failed!
E3017601	ListRepnas: Option "list" is missing.
E3017602	ListRepnas: Option "list" requires a value
E3017603	ListRepnas: Option "list" has invalid value
E3017604	ListRepnas: Failed to read/get option "list".
E3017605	ListRepnas: Failed to write/set option "list".
E3017621	ListRepnas failed!
E3018001	RecoverNas: Option "recover" is missing.
E3018002	RecoverNas: Option "recover" requires a value
E3018003	RecoverNas: Option "recover" has invalid value
E3018004	RecoverNas: Failed to read/get option "recover".
E3018005	RecoverNas: Failed to write/set option "recover".
E3018011	RecoverNas: Option "rename" is missing.
E3018012	RecoverNas: Option "rename" requires a value
E3018013	RecoverNas: Option "rename" has invalid value

Error Code	Error Message
E3018014	RecoverNas: Failed to read/get option "rename".
E3018015	RecoverNas: Failed to write/set option "rename".
E3018021	RecoverNas: Option "srchost" is missing.
E3018022	RecoverNas: Option "srchost" requires a value
E3018023	RecoverNas: Option "srchost" has invalid value
E3018024	RecoverNas: Failed to read/get option "srchost".
E3018025	RecoverNas: Failed to write/set option "srchost".
E3018031	RecoverNas: Option "id" is missing.
E3018032	RecoverNas: Option "id" requires a value
E3018033	RecoverNas: Option "id" has invalid value
E3018034	RecoverNas: Failed to read/get option "id".
E3018035	RecoverNas: Failed to write/set option "id".
E3018041	RecoverNas: Option "recname" is missing.
E3018042	RecoverNas: Option "recname" requires a value
E3018043	RecoverNas: Option "recname" has invalid value
E3018044	RecoverNas: Failed to read/get option "recname".
E3018045	RecoverNas: Failed to write/set option "recname".
E3018051	RecoverNas: Failed to read/get option "submit".
E3018052	RecoverNas: Failed to write/set option "submit".
E3018061	RecoverNas: Option "owner" requires a value
E3018062	RecoverNas: Option "owner" has invalid value
E3018063	RecoverNas: Failed to read/get option "owner".
E3018064	RecoverNas: Failed to write/set option "owner".
E3018071	RecoverNas: No replicated NAS found on target.
E3018072	RecoverNas: Error getting share properties
E3018073	RecoverNas: Failed to configure NFS
E3018074	RecoverNas: Failed to get NFS configuration status
E3018075	RecoverNas: CIFS must be configured before recovering a CIFS NAS share
E3018076	RecoverNas: Failed to get CIFS configuration status
E3018077	RecoverNas: No such workgroup user exists

Error Code	Error Message
E3018078	RecoverNas: Internal Error - invalid deduplication setting received.
E3018079	RecoverNas: Internal Error - invalid share permissions received.
E3018080	RecoverNas: A share named specified in the recovery share name already exists.
E3018081	RecoverNas: Internal Error - unable to restore share
E3018082	RecoverNas: Failed to read result from file.
E3018083	RecoverNas: No Owner specified to recover CIFS share.
E3018101	RecoverNas failed!
E3018401	DelRepnas: Option "del" is missing.
E3018402	DelRepnas: Option "del" requires a value
E3018403	DelRepnas: Option "del" has invalid value
E3018404	DelRepnas: Failed to read/get option "del".
E3018405	DelRepnas: Failed to write/set option "del".
E3018411	DelRepnas: Option "rename" is missing.
E3018412	DelRepnas: Option "rename" requires a value
E3018413	DelRepnas: Option "rename" has invalid value
E3018414	DelRepnas: Failed to read/get option "rename".
E3018415	DelRepnas: Failed to write/set option "rename".
E3018421	DelRepnas: Option "srchost" is missing.
E3018422	DelRepnas: Option "srchost" requires a value
E3018423	DelRepnas: Option "srchost" has invalid value
E3018424	DelRepnas: Failed to read/get option "srchost".
E3018425	DelRepnas: Failed to write/set option "srchost".
E3018431	DelRepnas: Option "id" is missing.
E3018432	DelRepnas: Option "id" requires a value
E3018433	DelRepnas: Option "id" has invalid value
E3018434	DelRepnas: Failed to read/get option "id".
E3018435	DelRepnas: Failed to write/set option "id".
E3018441	DelRepnas: Unable to delete replicated NAS.
E3018442	DelRepnas: No replicated NAS matching specified NAS found on target to delete.

Error Code	Error Message
E3018443	DelRepnas: No replicated NAS exists on this target.
E3018451	DelRepnas failed!
E3018801	FailbackRepvtl: Option "failback" is missing.
E3018802	FailbackRepvtl: Option "failback" requires a value
E3018803	FailbackRepvtl: Option "failback" has invalid value
E3018804	FailbackRepvtl: Failed to read/get option "failback".
E3018805	FailbackRepvtl: Failed to write/set option "failback".
E3018811	FailbackRepvtl: Option "rename" is missing.
E3018812	FailbackRepvtl: Option "rename" requires a value
E3018813	FailbackRepvtl: Option "rename" has invalid value
E3018814	FailbackRepvtl: Failed to read/get option "rename".
E3018815	FailbackRepvtl: Failed to write/set option "rename".
E3018821	FailbackRepvtl: Option "srchost" is missing.
E3018822	FailbackRepvtl: Option "srchost" requires a value
E3018823	FailbackRepvtl: Option "srchost" has invalid value
E3018824	FailbackRepvtl: Failed to read/get option "srchost".
E3018825	FailbackRepvtl: Failed to write/set option "srchost".
E3018831	FailbackRepvtl: Option "id" is missing.
E3018832	FailbackRepvtl: Option "id" requires a value
E3018833	FailbackRepvtl: Option "id" has invalid value
E3018834	FailbackRepvtl: Failed to read/get option "id".
E3018835	FailbackRepvtl: Failed to write/set option "id".
E3018841	FailbackRepvtl: Option "tgthost" is missing.
E3018842	FailbackRepvtl: Option "tgthost" requires a value
E3018843	FailbackRepvtl: Option "tgthost" has invalid value
E3018844	FailbackRepvtl: Failed to read/get option "tgthost".
E3018845	FailbackRepvtl: Failed to write/set option "tgthost".
E3018851	FailbackRepvtl: Option "encrypt" is missing.
E3018852	FailbackRepvtl: Failed to read/get option "encrypt".
E3018853	FailbackRepvtl: Failed to write/set option "encrypt".
E3018861	FailbackRepvtl: No replicated VTL exists on this target

Error Code	Error Message
E3018862	FailbackRepvtl: No replicated VTL found on target to failback.
E3018863	FailbackRepvtl: Source host is not a valid host name or IP address.
E3018864	FailbackRepvtl: A failback is already in progress.
E3018865	FailbackRepvtl: Not allowed to replicate back to the requested target.
E3018866	FailbackRepvtl: Unable to retrieve hostname from source address specified. Please use source hostname as listed from '--list repvtl' command.
E3018867	FailbackRepvtl: Specified source host is invalid.
E3018868	FailbackRepvtl: Specified target host is invalid.
E3018871	FailbackRepvtl: Option "encrypttype" requires a value
E3018872	FailbackRepvtl: Option "encrypttype" has invalid value
E3018873	FailbackRepvtl: Failed to read/get option "encrypttype".
E3018874	FailbackRepvtl: Failed to write/set option "encrypttype".
E3018881	FailbackRepvtl: Option "encrypt" is required because another optional option is specified!
E3018901	FailbackRepvtl failed!
E3019201	FailbackRepnas: Option "failback" is missing.
E3019202	FailbackRepnas: Option "failback" requires a value
E3019203	FailbackRepnas: Option "failback" has invalid value
E3019204	FailbackRepnas: Failed to read/get option "failback".
E3019205	FailbackRepnas: Failed to write/set option "failback".
E3019211	FailbackRepnas: Option "repname" is missing.
E3019212	FailbackRepnas: Option "repname" requires a value
E3019213	FailbackRepnas: Option "repname" has invalid value
E3019214	FailbackRepnas: Failed to read/get option "repname".
E3019215	FailbackRepnas: Failed to write/set option "repname".
E3019221	FailbackRepnas: Option "srchost" is missing.
E3019222	FailbackRepnas: Option "srchost" requires a value
E3019223	FailbackRepnas: Option "srchost" has invalid value
E3019224	FailbackRepnas: Failed to read/get option "srchost".
E3019225	FailbackRepnas: Failed to write/set option "srchost".

Error Code	Error Message
E3019231	FailbackRepnas: Option "id" is missing.
E3019232	FailbackRepnas: Option "id" requires a value
E3019233	FailbackRepnas: Option "id" has invalid value
E3019234	FailbackRepnas: Failed to read/get option "id".
E3019235	FailbackRepnas: Failed to write/set option "id".
E3019241	FailbackRepnas: Option "tgthost" is missing.
E3019242	FailbackRepnas: Option "tgthost" requires a value
E3019243	FailbackRepnas: Option "tgthost" has invalid value
E3019244	FailbackRepnas: Failed to read/get option "tgthost".
E3019245	FailbackRepnas: Failed to write/set option "tgthost".
E3019251	FailbackRepnas: Option "encrypt" is missing.
E3019252	FailbackRepnas: Failed to read/get option "encrypt".
E3019253	FailbackRepnas: Failed to write/set option "encrypt".
E3019261	FailbackRepnas: No replicated NAS share exists on this target
E3019262	FailbackRepnas: No replicated NAS share found on target to failback.
E3019263	FailbackRepnas: Source host is not a valid host name or IP address.
E3019264	FailbackRepnas: A failback is already in progress.
E3019265	FailbackRepnas: Not allowed to replicate back to the requested target.
E3019266	FailbackRepnas: Unable to retrieve hostname from source address specified. Please use source hostname as listed from '--list repnas' command.
E3019267	FailbackRepnas: Specified source host is invalid.
E3019268	FailbackRepnas: Specified target host is invalid.
E3019271	FailbackRepnas: Option "encrypttype" requires a value
E3019272	FailbackRepnas: Option "encrypttype" has invalid value
E3019273	FailbackRepnas: Failed to read/get option "encrypttype".
E3019274	FailbackRepnas: Failed to write/set option "encrypttype".
E3019281	FailbackRepnas: Option "encrypt" is required because another optional option is specified!
E3019301	FailbackRepnas failed!
E3019601	ListRecvtljobs: Option "list" is missing.

Error Code	Error Message
E3019602	ListRecvtljobs: Option "list" requires a value
E3019603	ListRecvtljobs: Option "list" has invalid value
E3019604	ListRecvtljobs: Failed to read/get option "list".
E3019605	ListRecvtljobs: Failed to write/set option "list".
E3019611	ListRecvtljobs: No recovery jobs initiated on this system.
E3019621	ListRecvtljobs failed!
E3019631	No recovery jobs found.
E3019632	Exception caught. Unable to get recovery jobs.
E3020001	ListRecnasjobs: Option "list" is missing.
E3020002	ListRecnasjobs: Option "list" requires a value
E3020003	ListRecnasjobs: Option "list" has invalid value
E3020004	ListRecnasjobs: Failed to read/get option "list".
E3020005	ListRecnasjobs: Failed to write/set option "list".
E3020011	ListRecnasjobs: No recovery jobs initiated on this system.
E3020021	ListRecnasjobs: failed!
E3020401	DelVtlrecjob: Option "del" is missing.
E3020402	DelVtlrecjob: Option "del" requires a value
E3020403	DelVtlrecjob: Option "del" has invalid value
E3020404	DelVtlrecjob: Failed to read/get option "del".
E3020405	DelVtlrecjob: Failed to write/set option "del".
E3020411	DelVtlrecjob: Option "rename" is missing.
E3020412	DelVtlrecjob: Option "rename" requires a value
E3020413	DelVtlrecjob: Option "rename" has invalid value
E3020414	DelVtlrecjob: Failed to read/get option "rename".
E3020415	DelVtlrecjob: Failed to write/set option "rename".
E3020421	DelVtlrecjob: Option "srchost" is missing.
E3020422	DelVtlrecjob: Option "srchost" requires a value
E3020423	DelVtlrecjob: Option "srchost" has invalid value
E3020424	DelVtlrecjob: Failed to read/get option "srchost".
E3020425	DelVtlrecjob: Failed to write/set option "srchost".
E3020431	DelVtlrecjob: Option "id" is missing.

Error Code	Error Message
E3020432	DelVtlrecjob: Option "id" requires a value
E3020433	DelVtlrecjob: Option "id" has invalid value
E3020434	DelVtlrecjob: Failed to read/get option "id".
E3020435	DelVtlrecjob: Failed to write/set option "id".
E3020441	DelVtlrecjob: No recovery job to delete.
E3020442	DelVtlrecjob: Unable to delete replicated VTL recovery job.
E3020443	DelVtlrecjob: Cannot delete recovery job that is in progress.
E3020451	DelVtlrecjob failed!
E3020801	DelNasrecjob: Option "del" is missing.
E3020802	DelNasrecjob: Option "del" requires a value
E3020803	DelNasrecjob: Option "del" has invalid value
E3020804	DelNasrecjob: Failed to read/get option "del".
E3020805	DelNasrecjob: Failed to write/set option "del".
E3020811	DelNasrecjob: Option "rename" is missing.
E3020812	DelNasrecjob: Option "rename" requires a value
E3020813	DelNasrecjob: Option "rename" has invalid value
E3020814	DelNasrecjob: Failed to read/get option "rename".
E3020815	DelNasrecjob: Failed to write/set option "rename".
E3020821	DelNasrecjob: Option "srchost" is missing.
E3020822	DelNasrecjob: Option "srchost" requires a value
E3020823	DelNasrecjob: Option "srchost" has invalid value
E3020824	DelNasrecjob: Failed to read/get option "srchost".
E3020825	DelNasrecjob: Failed to write/set option "srchost".
E3020831	DelNasrecjob: Option "id" is missing.
E3020832	DelNasrecjob: Option "id" requires a value
E3020833	DelNasrecjob: Option "id" has invalid value
E3020834	DelNasrecjob: Failed to read/get option "id".
E3020835	DelNasrecjob: Failed to write/set option "id".
E3020841	DelNasrecjob: Unable to delete replicated NAS share recovery job.
E3020843	DelNasrecjob: Cannot delete recovery job that is in progress.
E3020851	DelNasrecjob failed!

Error Code	Error Message
E3021201	ListVtlfailbackjob: Option "list" is missing.
E3021202	ListVtlfailbackjob: Option "list" requires a value
E3021203	ListVtlfailbackjob: Option "list" has invalid value
E3021204	ListVtlfailbackjob: Failed to read/get option "list".
E3021205	ListVtlfailbackjob: Failed to write/set option "list".
E3021211	No VTL failback jobs initiated on this system.
E3021221	ListVtlfailbackjob failed!
E3021231	No failback jobs found.
E3021232	Exception caught. Unable to get failback jobs.
E3021601	ListNasfailbackjob: Option "list" is missing.
E3021602	ListNasfailbackjob: Option "list" requires a value
E3021603	ListNasfailbackjob: Option "list" has invalid value
E3021604	ListNasfailbackjob: Failed to read/get option "list".
E3021605	ListNasfailbackjob: Failed to write/set option "list".
E3021611	No NAS failback jobs initiated on this system.
E3021621	ListNasfailbackjob failed!
E3022001	DelVtlfailbackjob: Option "del" is missing.
E3022002	DelVtlfailbackjob: Option "del" requires a value
E3022003	DelVtlfailbackjob: Option "del" has invalid value
E3022004	DelVtlfailbackjob: Failed to read/get option "del".
E3022005	DelVtlfailbackjob: Failed to write/set option "del".
E3022011	DelVtlfailbackjob: Option "rename" is missing.
E3022012	DelVtlfailbackjob: Option "rename" requires a value
E3022013	DelVtlfailbackjob: Option "rename" has invalid value
E3022014	DelVtlfailbackjob: Failed to read/get option "rename".
E3022015	DelVtlfailbackjob: Failed to write/set option "rename".
E3022021	DelVtlfailbackjob: Option "tgthost" is missing.
E3022022	DelVtlfailbackjob: Option "tgthost" requires a value
E3022023	DelVtlfailbackjob: Option "tgthost" has invalid value
E3022024	DelVtlfailbackjob: Failed to read/get option "tgthost".
E3022025	DelVtlfailbackjob: Failed to write/set option "tgthost".

Error Code	Error Message
E3022031	DelVtlfailbackjob: Option "id" is missing.
E3022032	DelVtlfailbackjob: Option "id" requires a value
E3022033	DelVtlfailbackjob: Option "id" has invalid value
E3022034	DelVtlfailbackjob: Failed to read/get option "id".
E3022035	DelVtlfailbackjob: Failed to write/set option "id".
E3022041	DelVtlfailbackjob: No failback job to delete.
E3022042	DelVtlfailbackjob: Unable to delete replicated VTL failback job.
E3022043	DelVtlfailbackjob: Cannot delete failback jobs in progress.
E3022051	DelVtlfailbackjob failed!
E3022401	DelNasfailbackjob: Option "del" is missing.
E3022402	DelNasfailbackjob: Option "del" requires a value
E3022403	DelNasfailbackjob: Option "del" has invalid value
E3022404	DelNasfailbackjob: Failed to read/get option "del".
E3022405	DelNasfailbackjob: Failed to write/set option "del".
E3022411	DelNasfailbackjob: Option "rename" is missing.
E3022412	DelNasfailbackjob: Option "rename" requires a value
E3022413	DelNasfailbackjob: Option "rename" has invalid value
E3022414	DelNasfailbackjob: Failed to read/get option "rename".
E3022415	DelNasfailbackjob: Failed to write/set option "rename".
E3022421	DelNasfailbackjob: Option "tgthost" is missing.
E3022422	DelNasfailbackjob: Option "tgthost" requires a value
E3022423	DelNasfailbackjob: Option "tgthost" has invalid value
E3022424	DelNasfailbackjob: Failed to read/get option "tgthost".
E3022425	DelNasfailbackjob: Failed to write/set option "tgthost".
E3022431	DelNasfailbackjob: Option "id" is missing.
E3022432	DelNasfailbackjob: Option "id" requires a value
E3022433	DelNasfailbackjob: Option "id" has invalid value
E3022434	DelNasfailbackjob: Failed to read/get option "id".
E3022435	DelNasfailbackjob: Failed to write/set option "id".
E3022441	DelNasfailbackjob: Unable to delete replicated NAS share failback job.

Error Code	Error Message
E3022443	DelNasfailbackjob: Cannot delete failback jobs in progress.
E3022451	DelNasfailbackjob failed!
E3022801	AbortVtlfailbackjob: Option "abort" is missing.
E3022802	AbortVtlfailbackjob: Option "abort" requires a value
E3022803	AbortVtlfailbackjob: Option "abort" has invalid value
E3022804	AbortVtlfailbackjob: Failed to read/get option "abort".
E3022805	AbortVtlfailbackjob: Failed to write/set option "abort".
E3022811	AbortVtlfailbackjob: Option "repname" is missing.
E3022812	AbortVtlfailbackjob: Option "repname" requires a value
E3022813	AbortVtlfailbackjob: Option "repname" has invalid value
E3022814	AbortVtlfailbackjob: Failed to read/get option "repname".
E3022815	AbortVtlfailbackjob: Failed to write/set option "repname".
E3022821	AbortVtlfailbackjob: Option "tgthost" is missing.
E3022822	AbortVtlfailbackjob: Option "tgthost" requires a value
E3022823	AbortVtlfailbackjob: Option "tgthost" has invalid value
E3022824	AbortVtlfailbackjob: Failed to read/get option "tgthost".
E3022825	AbortVtlfailbackjob: Failed to write/set option "tgthost".
E3022831	AbortVtlfailbackjob: Option "id" is missing.
E3022832	AbortVtlfailbackjob: Option "id" requires a value
E3022833	AbortVtlfailbackjob: Option "id" has invalid value
E3022834	AbortVtlfailbackjob: Failed to read/get option "id".
E3022835	AbortVtlfailbackjob: Failed to write/set option "id".
E3022841	AbortVtlfailbackjob: Cannot abort failback job that is not in progress.
E3022851	AbortVtlfailbackjob failed!
E3023201	AbortNasfailbackjob: Option "abort" is missing.
E3023202	AbortNasfailbackjob: Option "abort" requires a value
E3023203	AbortNasfailbackjob: Option "abort" has invalid value
E3023204	AbortNasfailbackjob: Failed to read/get option "abort".
E3023205	AbortNasfailbackjob: Failed to write/set option "abort".
E3023211	AbortNasfailbackjob: Option "repname" is missing.
E3023212	AbortNasfailbackjob: Option "repname" requires a value

Error Code	Error Message
E3023213	AbortNasfailbackjob: Option "repname" has invalid value
E3023214	AbortNasfailbackjob: Failed to read/get option "repname".
E3023215	AbortNasfailbackjob: Failed to write/set option "repname".
E3023221	AbortNasfailbackjob: Option "tgthost" is missing.
E3023222	AbortNasfailbackjob: Option "tgthost" requires a value
E3023223	AbortNasfailbackjob: Option "tgthost" has invalid value
E3023224	AbortNasfailbackjob: Failed to read/get option "tgthost".
E3023225	AbortNasfailbackjob: Failed to write/set option "tgthost".
E3023231	AbortNasfailbackjob: Option "id" is missing.
E3023232	AbortNasfailbackjob: Option "id" requires a value
E3023233	AbortNasfailbackjob: Option "id" has invalid value
E3023234	AbortNasfailbackjob: Failed to read/get option "id".
E3023235	AbortNasfailbackjob: Failed to write/set option "id".
E3023241	AbortNasfailbackjob: Cannot abort failback job that is not in progress.
E3023251	AbortNasfailbackjob failed!
E3023601	DownloadrptReplication: Option "downloadrpt" is missing.
E3023602	DownloadrptReplication: Option "downloadrpt" requires a value
E3023603	DownloadrptReplication: Option "downloadrpt" has invalid value
E3023604	DownloadrptReplication: Failed to read/get option "downloadrpt".
E3023605	DownloadrptReplication: Failed to write/set option "downloadrpt".
E3023611	DownloadrptReplication: There is no report to download!
E3023621	DownloadrptReplication failed!
E3024001	ListCartrepstats: Option "list" is missing.
E3024002	ListCartrepstats: Option "list" requires a value
E3024003	ListCartrepstats: Option "list" has invalid value
E3024004	ListCartrepstats: Failed to read/get option "list".
E3024005	ListCartrepstats: Failed to write/set option "list".
E3024011	ListCartrepstats: Option "name" is missing.

Error Code	Error Message
E3024012	ListCartrepstats: Option "name" requires a value
E3024013	ListCartrepstats: Option "name" has invalid value
E3024014	ListCartrepstats: Failed to read/get option "name".
E3024015	ListCartrepstats: Failed to write/set option "name".
E3024101	ListCartrepstats failed!
E3024102	ListCartrepstats: Cannot get cartridge based replication status.
E3024103	ListCartrepstats: Cartridge based replication not set on VTL.
E3024104	ListCartrepstats: Exception caught.
E3024401	ListFiledirrepstats: Option "list" is missing.
E3024402	ListFiledirrepstats: Option "list" requires a value
E3024403	ListFiledirrepstats: Option "list" has invalid value
E3024404	ListFiledirrepstats: Failed to read/get option "list".
E3024405	ListFiledirrepstats: Failed to write/set option "list".
E3024411	ListFiledirrepstats: Option "name" is missing.
E3024412	ListFiledirrepstats: Option "name" requires a value
E3024413	ListFiledirrepstats: Option "name" has invalid value
E3024414	ListFiledirrepstats: Failed to read/get option "name".
E3024415	ListFiledirrepstats: Failed to write/set option "name".
E3024501	ListFiledirrepstats failed!
E3024502	ListFiledirrepstats: Cannot get file/directory based replication status.
E3024503	ListFiledirrepstats: File/Directory based replication not set on share.
E3024504	ListFiledirrepstats: Exception caught.
E3024801	ListCarttarget: Option "list" is missing.
E3024802	ListCarttarget: Option "list" requires a value
E3024803	ListCarttarget: Option "list" has invalid value
E3024804	ListCarttarget: Failed to read/get option "list".
E3024805	ListCarttarget: Failed to write/set option "list".
E3024811	ListCarttarget: Option "name" requires a value
E3024812	ListCarttarget: Option "name" has invalid value

Error Code	Error Message
E3024813	ListCarttarget: Failed to read/get option "name".
E3024814	ListCarttarget: Failed to write/set option "name".
E3024901	ListCarttarget failed!
E3024902	ListCarttarget: Exception caught.
E3024903	ListCarttarget: Error retrieving list of VTL configuration.
E3024904	ListCarttarget: No deduplicated VTL available on the target.
E3025201	ListFiledirtarget: Option "list" is missing.
E3025202	ListFiledirtarget: Option "list" requires a value
E3025203	ListFiledirtarget: Option "list" has invalid value
E3025204	ListFiledirtarget: Failed to read/get option "list".
E3025205	ListFiledirtarget: Failed to write/set option "list".
E3025211	ListFiledirtarget: Option "name" requires a value
E3025212	ListFiledirtarget: Option "name" has invalid value
E3025213	ListFiledirtarget: Failed to read/get option "name".
E3025214	ListFiledirtarget: Failed to write/set option "name".
E3025301	ListFiledirtarget failed!
E3025302	ListFiledirtarget: Exception caught.
E3025303	ListFiledirtarget: Error retrieving list of share configuration.
E3025304	ListFiledirtarget: No deduplicated share available on the target.
E3025601	EnableDro: Option "enable" is missing.
E3025602	EnableDro: Option "enable" requires a value
E3025603	EnableDro: Option "enable" has invalid value
E3025604	EnableDro: Failed to read/get option "enable".
E3025605	EnableDro: Failed to write/set option "enable".
E3025611	EnableDro: Failed to update the DRO XML setting file.
E3025612	EnableDro: DRO is already enabled.
E3025613	EnableDro: Failed to signal the DRO process.
E3025621	EnableDro failed!
E3026001	DisableDro: Option "disable" is missing.
E3026002	DisableDro: Option "disable" requires a value
E3026003	DisableDro: Option "disable" has invalid value

Error Code	Error Message
E3026004	DisableDro: Failed to read/get option "disable".
E3026005	DisableDro: Failed to write/set option "disable".
E3026011	DisableDro: DRO is already disabled.
E3026021	DisableDro failed!
E3026401	GetstatusDro: Option "getstatus" is missing.
E3026402	GetstatusDro: Option "getstatus" requires a value
E3026403	GetstatusDro: Option "getstatus" has invalid value
E3026404	GetstatusDro: Failed to read/get option "getstatus".
E3026405	GetstatusDro: Failed to write/set option "getstatus".
E3026411	GetstatusDro: Failed to read DRO XML setting file.
E3026421	GetstatusDro failed!
E3026801	GetstatusReplication: Option "getstatus" is missing.
E3026802	GetstatusReplication: Option "getstatus" requires a value
E3026803	GetstatusReplication: Option "getstatus" has invalid value
E3026804	GetstatusReplication: Failed to read/get option "getstatus".
E3026805	GetstatusReplication: Failed to write/set option "getstatus".
E3026901	GetstatusReplication failed!
E3027201	GetRepsetting: Option "get" is missing.
E3027202	GetRepsetting: Option "get" requires a value
E3027203	GetRepsetting: Option "get" has invalid value
E3027204	GetRepsetting: Failed to read/get option "get".
E3027205	GetRepsetting: Failed to write/set option "get".
E3027251	GetRepsetting failed!
E3027601	SetRepsetting: Option "set" is missing.
E3027602	SetRepsetting: Option "set" requires a value
E3027603	SetRepsetting: Option "set" has invalid value
E3027604	SetRepsetting: Failed to read/get option "set".
E3027605	SetRepsetting: Failed to write/set option "set".
E3027611	SetRepsetting: Option "compat" is missing.
E3027612	SetRepsetting: Option "compat" requires a value
E3027613	SetRepsetting: Option "compat" has invalid value

Error Code	Error Message
E3027614	SetRepsetting: Failed to read/get option "compat".
E3027615	SetRepsetting: Failed to write/set option "compat".
E3027661	SetRepsetting failed!
E3027662	SetRepsetting failed because target was already set!
E3028001	AddOpduptranslate: Option "add" is missing.
E3028002	AddOpduptranslate: Option "add" requires a value
E3028003	AddOpduptranslate: Option "add" has invalid value
E3028004	AddOpduptranslate: Failed to read/get option "add".
E3028005	AddOpduptranslate: Failed to write/set option "add".
E3028011	AddOpduptranslate: Option "replicationip" is missing.
E3028012	AddOpduptranslate: Option "replicationip" requires a value
E3028013	AddOpduptranslate: Option "replicationip" has invalid value
E3028014	AddOpduptranslate: Failed to read/get option "replicationip".
E3028015	AddOpduptranslate: Failed to write/set option "replicationip".
E3028021	AddOpduptranslate: Option "dataip" is missing.
E3028022	AddOpduptranslate: Option "dataip" requires a value
E3028023	AddOpduptranslate: Option "dataip" has invalid value
E3028024	AddOpduptranslate: Failed to read/get option "dataip".
E3028025	AddOpduptranslate: Failed to write/set option "dataip".
E3028071	AddOpduptranslate failed!
E3028401	DelOpduptranslate: Option "del" is missing.
E3028402	DelOpduptranslate: Option "del" requires a value
E3028403	DelOpduptranslate: Option "del" has invalid value
E3028404	DelOpduptranslate: Failed to read/get option "del".
E3028405	DelOpduptranslate: Failed to write/set option "del".
E3028411	DelOpduptranslate: Option "replicationip" is missing.
E3028412	DelOpduptranslate: Option "replicationip" requires a value
E3028413	DelOpduptranslate: Option "replicationip" has invalid value
E3028414	DelOpduptranslate: Failed to read/get option "replicationip".
E3028415	DelOpduptranslate: Failed to write/set option "replicationip".
E3028421	DelOpduptranslate: Option "dataip" is missing.

Error Code	Error Message
E3028422	DelOpduptranslate: Option "dataip" requires a value
E3028423	DelOpduptranslate: Option "dataip" has invalid value
E3028424	DelOpduptranslate: Failed to read/get option "dataip".
E3028425	DelOpduptranslate: Failed to write/set option "dataip".
E3028471	DelOpduptranslate failed!
E3028801	GetOpduptranslate: Option "get" is missing.
E3028802	GetOpduptranslate: Option "get" requires a value
E3028803	GetOpduptranslate: Option "get" has invalid value
E3028804	GetOpduptranslate: Failed to read/get option "get".
E3028805	GetOpduptranslate: Failed to write/set option "get".
E3028811	GetOpduptranslate: Option "dataip" is missing.
E3028812	GetOpduptranslate: Option "dataip" requires a value
E3028813	GetOpduptranslate: Option "dataip" has invalid value
E3028814	GetOpduptranslate: Failed to read/get option "dataip".
E3028815	GetOpduptranslate: Failed to write/set option "dataip".
E3028861	GetOpduptranslate failed!
E4000002	OST: Value entered is not valid
E4000003	OST: Value entered is below lower limit
E4000004	OST: Value entered is above upper limit
E4000005	OST: Storage Server not found!
E4000006	OST: Storage Server has active connections
E4000007	OST: Get Storage server failed!
E4000008	OST: Storage server has valid LSUs
E4000009	Seer variable is not found.
E4000010	OST: Storage Server does not exist!
E4000011	OST: The specified user is already in the Storage Server access list!
E4000012	The specified user is not found on this Storage Server!
E4000013	OST: The specified host is already in the Storage Server access list.
E4000014	OST: The specified host is not found on this Storage Server!
E4000015	OST: This command supports NFS storage servers only!

Error Code	Error Message
E4000016	OST: This command supports CIFS storage servers only!
E4000017	OST: Get LSU failed!
E4000050	OST: Failed to get info for list of storage servers!
E4000051	OST: Failed to get storage server info!
E4000052	OST: Storage server has active connections!
E4000053	OST: Storage server is not empty (containing one or more LSU's)!
E4000054	OST: Failed to get LSU list for storage server!
E4000055	OST: LSU has backup images!
E4000056	OST: Failed to delete LSU.
E4000057	OST: Storage server has no LSU to delete!
E4000058	OST: LSU not found!
E4000059	OST: Locking the OST configuration file failed.
E4000060	OST: Unlocking the OST configuration file failed.
E4000061	OST: Updating the OST configuration file failed.
E4000062	OST: Loading the OST configuration file failed.
E4000063	OST: Loading the TLEManager.conf configuration file failed.
E4000401	AddStorageserver: Option "add" is missing.
E4000402	AddStorageserver: Option "add" requires a value
E4000403	AddStorageserver: Option "add" has invalid value
E4000404	AddStorageserver: Failed to read/get option "add".
E4000405	AddStorageserver: Failed to write/set option "add".
E4000411	AddStorageserver: Option "name" is missing.
E4000412	AddStorageserver: Option "name" requires a value
E4000413	AddStorageserver: Option "name" has invalid value
E4000414	AddStorageserver: Failed to read/get option "name".
E4000415	AddStorageserver: Failed to write/set option "name".
E4000421	AddStorageserver: Option "maxconnect" is missing.
E4000422	AddStorageserver: Option "maxconnect" requires a value
E4000423	AddStorageserver: Option "maxconnect" has invalid value. Range is between 3-65536, inclusive.
E4000424	AddStorageserver: Failed to read/get option "maxconnect".

Error Code	Error Message
E4000425	AddStorageserver: Failed to write/set option "maxconnect".
E4000431	AddStorageserver: Option "desc" is missing.
E4000432	AddStorageserver: Option "desc" is required because another optional option is specified!
E4000433	AddStorageserver: Option "desc" requires a value
E4000434	AddStorageserver: Option "desc" has invalid value
E4000435	AddStorageserver: Failed to read/get option "desc".
E4000436	AddStorageserver: Failed to write/set option "desc".
E4000437	AddStorageserver: Option "ro" is missing.
E4000438	AddStorageserver: Failed to read/get option "ro".
E4000439	AddStorageserver: Failed to write/set option "ro".
E4000441	AddStorageserver: Option "proto" is missing.
E4000442	AddStorageserver: Option "proto" requires a value
E4000443	AddStorageserver: Option "proto" has invalid value
E4000444	AddStorageserver: Failed to read/get option "proto".
E4000445	AddStorageserver: Failed to write/set option "proto".
E4000446	AddStorageserver: Option "hidden" is missing.
E4000447	AddStorageserver: Failed to read/get option "hidden".
E4000448	AddStorageserver: Failed to write/set option "hidden".
E4000451	AddStorageserver: Option "dedup" is missing.
E4000452	AddStorageserver: Option "dedup" is required because another optional option is specified!
E4000453	AddStorageserver: Failed to read/get option "dedup".
E4000454	AddStorageserver: Failed to write/set option "dedup".
E4000461	AddStorageserver: Option "startbackup" is missing.
E4000462	AddStorageserver: Option "startbackup" is required because another optional option is specified!
E4000463	AddStorageserver: Option "startbackup" requires a value
E4000464	AddStorageserver: Option "startbackup" has invalid value
E4000465	AddStorageserver: Failed to read/get option "startbackup".
E4000466	AddStorageserver: Failed to write/set option "startbackup".
E4000471	AddStorageserver: Option "endbackup" is missing.

Error Code	Error Message
E4000472	AddStorageserver: Option "endbackup" is required because another optional option is specified!
E4000473	AddStorageserver: Option "endbackup" requires a value
E4000474	AddStorageserver: Option "endbackup" has invalid value
E4000475	AddStorageserver: Failed to read/get option "endbackup".
E4000476	AddStorageserver: Failed to write/set option "endbackup".
E4000477	AddStorageserver: Failed because the maximum storage servers limit is reached
E4000478	AddStorageserver: Failed because the storage server name is empty
E4000479	AddStorageserver: Failed because the storage server name contains invalid characters
E4000480	AddStorageserver: Failed because the storage server desc contains invalid characters
E4000481	AddStorageserver: Failed to configure NFS
E4000482	AddStorageserver: Failed to get NFS configuration status
E4000483	AddStorageserver: CIFS is not configured
E4000484	AddStorageserver: Failed to disable backup window.
E4000485	AddStorageserver: Failed to set backup window.
E4000486	AddStorageserver: Operation is not allowed because CIFS is disabled
E4000487	AddStorageserver: Failed to get CIFS configuration status
E4000491	AddStorageserver failed!
E4000541	AddStorageserver: Failed to read/get option "replication".
E4000542	AddStorageserver: Failed to write/set option "replication".
E4000801	DelStorageserver: Option "del" is missing.
E4000802	DelStorageserver: Option "del" requires a value
E4000803	DelStorageserver: Option "del" has invalid value
E4000804	DelStorageserver: Failed to read/get option "del".
E4000805	DelStorageserver: Failed to write/set option "del".
E4000811	DelStorageserver: Option "name" is missing.
E4000812	DelStorageserver: Option "name" is required because another optional option is specified!
E4000813	DelStorageserver: Option "name" requires a value

Error Code	Error Message
E4000814	DelStorageserver: Option "name" has invalid value
E4000815	DelStorageserver: Failed to read/get option "name".
E4000816	DelStorageserver: Failed to write/set option "name".
E4000817	DelStorageserver: Failed because the storage server does not exist
E4000818	DelStorageserver: Failed because the storage server has active connections.
E4000819	DelStorageserver: Failed because the storage server has LSUs
E4000831	DelStorageserver failed!
E4001201	EditStorageserver: Option "edit" is missing.
E4001202	EditStorageserver: Option "edit" requires a value
E4001203	EditStorageserver: Option "edit" has invalid value
E4001204	EditStorageserver: Failed to read/get option "edit".
E4001205	EditStorageserver: Failed to write/set option "edit".
E4001211	EditStorageserver: Option "name" is missing.
E4001212	EditStorageserver: Option "name" requires a value
E4001213	EditStorageserver: Option "name" has invalid value
E4001214	EditStorageserver: Failed to read/get option "name".
E4001215	EditStorageserver: Failed to write/set option "name".
E4001221	EditStorageserver: Option "maxconnect" is missing.
E4001222	EditStorageserver: Option "maxconnect" is required because another optional option is specified!
E4001223	EditStorageserver: Option "maxconnect" requires a value
E4001224	EditStorageserver: Option "maxconnect" has invalid value
E4001225	EditStorageserver: Failed to read/get option "maxconnect".
E4001226	EditStorageserver: Failed to write/set option "maxconnect".
E4001231	EditStorageserver: Option "desc" is missing.
E4001232	EditStorageserver: Option "desc" is required because another optional option is specified!
E4001233	EditStorageserver: Option "desc" requires a value
E4001234	EditStorageserver: Option "desc" has invalid value
E4001235	EditStorageserver: Failed to read/get option "desc".
E4001236	EditStorageserver: Failed to write/set option "desc".

Error Code	Error Message
E4001237	EditStorageserver: Failed because description has invalid value.
E4001238	EditStorageserver: Failed because the storage server does not exist
E4001241	EditStorageserver: Option "startbackup" is missing.
E4001242	EditStorageserver: Option "startbackup" requires a value
E4001243	EditStorageserver: Option "startbackup" has invalid value
E4001244	EditStorageserver: Failed to read/get option "startbackup".
E4001245	EditStorageserver: Failed to write/set option "startbackup".
E4001246	EditStorageserver: Nothing to be changed!
E4001251	EditStorageserver: Option "endbackup" is missing.
E4001252	EditStorageserver: Option "endbackup" requires a value
E4001253	EditStorageserver: Option "endbackup" has invalid value
E4001254	EditStorageserver: Failed to read/get option "endbackup".
E4001255	EditStorageserver: Failed to write/set option "endbackup".
E4001256	EditStorageserver: Max connections of the storage server cannot be edited when there are active connections.
E4001257	EditStorageserver: Option "perms" requires a value
E4001258	EditStorageserver: Option "perms" has invalid value
E4001259	EditStorageserver: Failed to read/get option "perms".
E4001260	EditStorageserver: Failed to write/set option "perms".
E4001263	EditStorageserver: Option "perms" is required because another optional option is specified!
E4001271	EditStorageserver failed!
E4001341	EditStorageserver: Option "replication" requires a value
E4001342	EditStorageserver: Option "replication" has invalid value
E4001343	EditStorageserver: Failed to read/get option "replication".
E4001344	EditStorageserver: Failed to write/set option "replication".
E4001601	ListStorageserver: Option "list" is missing.
E4001602	ListStorageserver: Option "list" requires a value
E4001603	ListStorageserver: Option "list" has invalid value
E4001604	ListStorageserver: Failed to read/get option "list".
E4001605	ListStorageserver: Failed to write/set option "list".

Error Code	Error Message
E4001611	ListStorageserver: Option "proto" is missing.
E4001612	ListStorageserver: Option "proto" is required because another optional option is specified!
E4001613	ListStorageserver: Option "proto" requires a value
E4001614	ListStorageserver: Option "proto" has invalid value
E4001615	ListStorageserver: Failed to read/get option "proto".
E4001616	ListStorageserver: Failed to write/set option "proto".
E4001621	ListStorageserver: Option "name" is missing.
E4001622	ListStorageserver: Option "name" is required because another optional option is specified!
E4001623	ListStorageserver: Option "name" requires a value
E4001624	ListStorageserver: Option "name" has invalid value
E4001625	ListStorageserver: Failed to read/get option "name".
E4001626	ListStorageserver: Failed to write/set option "name".
E4001627	ListStorageserver: Failed because the storage server does not exist
E4001631	ListStorageserver: Failed to read/get option "verbose".
E4001632	ListStorageserver: Failed to write/set option "verbose".
E4001641	ListStorageserver failed!
E4001681	ListStorageserver: Option "replication" requires a value
E4001682	ListStorageserver: Option "replication" has invalid value
E4001683	ListStorageserver: Failed to read/get option "replication".
E4001684	ListStorageserver: Failed to write/se
E4002001	AddLsu: Option "add" is missing.
E4002002	AddLsu: Option "add" requires a value
E4002003	AddLsu: Option "add" has invalid value
E4002004	AddLsu: Failed to read/get option "add".
E4002005	AddLsu: Failed to write/set option "add".
E4002011	AddLsu: Option "name" is missing.
E4002012	AddLsu: Option "name" requires a value
E4002013	AddLsu: Option "name" has invalid value
E4002014	AddLsu: Failed to read/get option "name".

Error Code	Error Message
E4002015	AddLsu: Failed to write/set option "name".
E4002021	AddLsu: Option "storageserver" is missing.
E4002022	AddLsu: Option "storageserver" requires a value
E4002023	AddLsu: Option "storageserver" has invalid value
E4002024	AddLsu: Failed to read/get option "storageserver".
E4002025	AddLsu: Failed to write/set option "storageserver".
E4002031	AddLsu: Option "maxtransfer" is missing.
E4002032	AddLsu: Option "maxtransfer" requires a value
E4002033	AddLsu: Option "maxtransfer" has invalid value
E4002034	AddLsu: Failed to read/get option "maxtransfer".
E4002035	AddLsu: Failed to write/set option "maxtransfer".
E4002041	AddLsu: Option "blksize" is missing.
E4002042	AddLsu: Option "blksize" requires a value
E4002043	AddLsu: Option "blksize" has invalid value
E4002044	AddLsu: Failed to read/get option "blksize".
E4002045	AddLsu: Failed to write/set option "blksize".
E4002051	AddLsu: Option "capacity" is missing.
E4002052	AddLsu: Option "capacity" requires a value
E4002053	AddLsu: Option "capacity" has invalid value
E4002054	AddLsu: Failed to read/get option "capacity".
E4002055	AddLsu: Failed to write/set option "capacity".
E4002061	AddLsu: Option "desc" is missing.
E4002062	AddLsu: Option "desc" is required because another optional option is specified!
E4002063	AddLsu: Option "desc" requires a value
E4002064	AddLsu: Option "desc" has invalid value
E4002065	AddLsu: Failed to read/get option "desc".
E4002066	AddLsu: Failed to write/set option "desc".
E4002067	AddLsu: Failed because the storageserver does not exist.
E4002071	AddLsu: Option "unlimited" is missing.
E4002072	AddLsu: Failed to read/get option "unlimited".
E4002073	AddLsu: Failed to write/set option "unlimited".

Error Code	Error Message
E4002074	AddLsu: Failed to add the available capacity LSU.
E4002075	AddLsu: Failed to add the specific capacity LSU.
E4002076	AddLsu: Failed because the storage server does not exist.
E4002077	AddLsu: Failed because the name _PhysicalLSU is reserved for internal use.
E4002081	AddLsu failed!
E4002401	DelLsu: Option "del" is missing.
E4002402	DelLsu: Option "del" requires a value
E4002403	DelLsu: Option "del" has invalid value
E4002404	DelLsu: Failed to read/get option "del".
E4002405	DelLsu: Failed to write/set option "del".
E4002411	DelLsu: Option "name" is missing.
E4002412	DelLsu: Option "name" is required because another optional option is specified!
E4002413	DelLsu: Option "name" requires a value
E4002414	DelLsu: Option "name" has invalid value
E4002415	DelLsu: Failed to read/get option "name".
E4002416	DelLsu: Failed to write/set option "name".
E4002421	DelLsu: Option "storageserver" is missing.
E4002422	DelLsu: Option "storageserver" requires a value
E4002423	DelLsu: Option "storageserver" has invalid value
E4002424	DelLsu: Failed to read/get option "storageserver".
E4002425	DelLsu: Failed to write/set option "storageserver".
E4002426	DelLsu: Failed because the storage server does not exist.
E4002427	DelLsu: Failed because the storage server has active connections.
E4002431	DelLsu: Failed to read/get option "force".
E4002432	DelLsu: Failed to write/set option "force".
E4002441	DelLsu failed!
E4002442	DelLsu: Failed to delete LSU because LSU has backup images.
E4002801	EditLsu: Option "edit" is missing.
E4002802	EditLsu: Option "edit" requires a value

Error Code	Error Message
E4002803	EditLsu: Option "edit" has invalid value
E4002804	EditLsu: Failed to read/get option "edit".
E4002805	EditLsu: Failed to write/set option "edit".
E4002811	EditLsu: Option "name" is missing.
E4002812	EditLsu: Option "name" requires a value
E4002813	EditLsu: Option "name" has invalid value
E4002814	EditLsu: Failed to read/get option "name".
E4002815	EditLsu: Failed to write/set option "name".
E4002821	EditLsu: Option "storageserver" is not found.
E4002822	EditLsu: Option "storageserver" requires a value
E4002823	EditLsu: Option "storageserver" has invalid value
E4002824	EditLsu: Failed to read/get option "storageserver".
E4002825	EditLsu: Failed to write/set option "storageserver".
E4002831	EditLsu: Option "desc" is missing.
E4002832	EditLsu: Option "desc" is required because another optional option is specified!
E4002833	EditLsu: Option "desc" requires a value
E4002834	EditLsu: Option "desc" has invalid value
E4002835	EditLsu: Failed to read/get option "desc".
E4002836	EditLsu: Failed to write/set option "desc".
E4002841	EditLsu: Option "maxtransfer" is missing.
E4002842	EditLsu: Option "maxtransfer" is required because another optional option is specified!
E4002843	EditLsu: Option "maxtransfer" requires a value
E4002844	EditLsu: Option "maxtransfer" has invalid value
E4002845	EditLsu: Failed to read/get option "maxtransfer".
E4002846	EditLsu: Failed to write/set option "maxtransfer".
E4002851	EditLsu: Option "blksize" is missing.
E4002852	EditLsu: Option "blksize" is required because another optional option is specified!
E4002853	EditLsu: Option "blksize" requires a value
E4002854	EditLsu: Option "blksize" has invalid value

Error Code	Error Message
E4002855	EditLsu: Failed to read/get option "blksize".
E4002856	EditLsu: Failed to write/set option "blksize".
E4002861	EditLsu: Option "capacity" is missing.
E4002862	EditLsu: Option "capacity" is required because another optional option is specified!
E4002863	EditLsu: Option "capacity" requires a value
E4002864	EditLsu: Option "capacity" has invalid value
E4002865	EditLsu: Failed to read/get option "capacity".
E4002866	EditLsu: Failed to write/set option "capacity".
E4002867	EditLsu: Failed because the storage server does not exist.
E4002868	EditLsu: Failed because the storage server has active connections.
E4002869	EditLsu: LSU with the name "_PhysicalLSU" cannot be edited.
E4002881	EditLsu failed!
E4003201	ListLsu: Option "list" is missing.
E4003202	ListLsu: Option "list" requires a value
E4003203	ListLsu: Option "list" has invalid value
E4003204	ListLsu: Failed to read/get option "list".
E4003205	ListLsu: Failed to write/set option "list".
E4003211	ListLsu: Option "name" is missing.
E4003212	ListLsu: Option "name" requires a value
E4003213	ListLsu: Option "name" has invalid value
E4003214	ListLsu: Failed to read/get option "name".
E4003215	ListLsu: Failed to write/set option "name".
E4003216	ListLsu: Option "name" is required because another optional option is specified!
E4003221	ListLsu: Option "storageserver" is missing.
E4003222	ListLsu: Option "storageserver" requires a value
E4003223	ListLsu: Option "storageserver" has invalid value
E4003224	ListLsu: Failed to read/get option "storageserver".
E4003225	ListLsu: Failed to write/set option "storageserver".
E4003226	ListLsu: Specified LSU does not exist.

Error Code	Error Message
E4003241	ListLsu failed!
E4003251	ListLsu: The specified storage server does not exist.
E4003601	AddOstuser: Option "add" is missing.
E4003602	AddOstuser: Option "add" requires a value
E4003603	AddOstuser: Option "add" has invalid value
E4003604	AddOstuser: Failed to read/get option "add".
E4003605	AddOstuser: Failed to write/set option "add".
E4003611	AddOstuser: Option "name" is missing.
E4003612	AddOstuser: Option "name" requires a value
E4003613	AddOstuser: Option "name" has invalid value
E4003614	AddOstuser: Value of option "name" is too long
E4003615	AddOstuser: Failed to read/get option "name".
E4003616	AddOstuser: Failed to write/set option "name".
E4003621	AddOstuser: Option "storageserver" is missing.
E4003622	AddOstuser: Option "storageserver" requires a value
E4003623	AddOstuser: Option "storageserver" has invalid value
E4003624	AddOstuser: Value of option "storageserver" is too long
E4003625	AddOstuser: Failed to read/get option "storageserver".
E4003626	AddOstuser: Failed to write/set option "storageserver".
E4003631	AddOstuser: Option "rw" is missing.
E4003632	AddOstuser: Failed to read/get option "rw".
E4003633	AddOstuser: Failed to write/set option "rw".
E4003651	AddOstuser failed!
E4004001	DelOstuser: Option "del" is missing.
E4004002	DelOstuser: Option "del" requires a value
E4004003	DelOstuser: Option "del" has invalid value
E4004004	DelOstuser: Failed to read/get option "del".
E4004005	DelOstuser: Failed to write/set option "del".
E4004011	DelOstuser: Option "user" is missing.
E4004012	DelOstuser: Option "user" requires a value
E4004013	DelOstuser: Option "user" has invalid value

Error Code	Error Message
E4004014	DelOstuser: Value of option "user" is too long
E4004015	DelOstuser: Failed to read/get option "user".
E4004016	DelOstuser: Failed to write/set option "user".
E4004021	DelOstuser: Option "storageserver" is missing.
E4004022	DelOstuser: Option "storageserver" requires a value
E4004023	DelOstuser: Option "storageserver" has invalid value
E4004024	DelOstuser: Value of option "storageserver" is too long
E4004025	DelOstuser: Failed to read/get option "storageserver".
E4004026	DelOstuser: Failed to write/set option "storageserver".
E4004041	DelOstuser failed!
E4004401	DeleteallOstuser: Option "deleteall" is missing.
E4004402	DeleteallOstuser: Option "deleteall" requires a value
E4004403	DeleteallOstuser: Option "deleteall" has invalid value
E4004404	DeleteallOstuser: Failed to read/get option "deleteall".
E4004405	DeleteallOstuser: Failed to write/set option "deleteall".
E4004411	DeleteallOstuser: Option "storageserver" is missing.
E4004412	DeleteallOstuser: Option "storageserver" requires a value
E4004413	DeleteallOstuser: Option "storageserver" has invalid value
E4004414	DeleteallOstuser: Value of option "storageserver" is too long
E4004415	DeleteallOstuser: Failed to read/get option "storageserver".
E4004416	DeleteallOstuser: Failed to write/set option "storageserver".
E4004431	DeleteallOstuser failed!
E4004432	Failed to get user access list!
E4004433	There are no users in user access list to delete!
E4004801	ListOstuser: Option "list" is missing.
E4004802	ListOstuser: Option "list" requires a value
E4004803	ListOstuser: Option "list" has invalid value
E4004804	ListOstuser: Failed to read/get option "list".
E4004805	ListOstuser: Failed to write/set option "list".
E4004811	ListOstuser: Option "storageserver" is missing.
E4004812	ListOstuser: Option "storageserver" requires a value

Error Code	Error Message
E4004813	ListOstuser: Option "storageserver" has invalid value
E4004814	ListOstuser: Value of option "storageserver" is too long
E4004815	ListOstuser: Failed to read/get option "storageserver".
E4004816	ListOstuser: Failed to write/set option "storageserver".
E4004831	ListOstuser failed!
E4005201	AddOsthost: Option "add" is missing.
E4005202	AddOsthost: Option "add" requires a value
E4005203	AddOsthost: Option "add" has invalid value
E4005204	AddOsthost: Failed to read/get option "add".
E4005205	AddOsthost: Failed to write/set option "add".
E4005211	AddOsthost: Option "name" is missing.
E4005212	AddOsthost: Option "name" requires a value
E4005213	AddOsthost: Option "name" has invalid value
E4005214	AddOsthost: Value of option "name" is too long
E4005215	AddOsthost: Failed to read/get option "name".
E4005216	AddOsthost: Failed to write/set option "name".
E4005221	AddOsthost: Option "storageserver" is missing.
E4005222	AddOsthost: Option "storageserver" requires a value
E4005223	AddOsthost: Option "storageserver" has invalid value
E4005224	AddOsthost: Value of option "storageserver" is too long
E4005225	AddOsthost: Failed to read/get option "storageserver".
E4005226	AddOsthost: Failed to write/set option "storageserver".
E4005231	AddOsthost: Option "rw" is missing.
E4005232	AddOsthost: Failed to read/get option "rw".
E4005233	AddOsthost: Failed to write/set option "rw".
E4005251	AddOsthost failed!
E4005601	DelOsthost: Option "del" is missing.
E4005602	DelOsthost: Option "del" requires a value
E4005603	DelOsthost: Option "del" has invalid value
E4005604	DelOsthost: Failed to read/get option "del".
E4005605	DelOsthost: Failed to write/set option "del".

Error Code	Error Message
E4005611	DelOsthost: Option "name" is missing.
E4005612	DelOsthost: Option "name" requires a value
E4005613	DelOsthost: Option "name" has invalid value
E4005614	DelOsthost: Value of option "name" is too long
E4005615	DelOsthost: Failed to read/get option "name".
E4005616	DelOsthost: Failed to write/set option "name".
E4005621	DelOsthost: Option "storageserver" is missing.
E4005622	DelOsthost: Option "storageserver" requires a value
E4005623	DelOsthost: Option "storageserver" has invalid value
E4005624	DelOsthost: Value of option "storageserver" is too long
E4005625	DelOsthost: Failed to read/get option "storageserver".
E4005626	DelOsthost: Failed to write/set option "storageserver".
E4005641	DelOsthost failed!
E4006001	DeleteallOsthost: Option "deleteall" is missing.
E4006002	DeleteallOsthost: Option "deleteall" requires a value
E4006003	DeleteallOsthost: Option "deleteall" has invalid value
E4006004	DeleteallOsthost: Failed to read/get option "deleteall".
E4006005	DeleteallOsthost: Failed to write/set option "deleteall".
E4006011	DeleteallOsthost: Option "storageserver" is missing.
E4006012	DeleteallOsthost: Option "storageserver" requires a value
E4006013	DeleteallOsthost: Option "storageserver" has invalid value
E4006014	DeleteallOsthost: Value of option "storageserver" is too long
E4006015	DeleteallOsthost: Failed to read/get option "storageserver".
E4006016	DeleteallOsthost: Failed to write/set option "storageserver".
E4006031	DeleteallOsthost failed!
E4006032	Failed to get host access list!
E4006033	There are no hosts in the host access list to delete!
E4006401	ListOsthost: Option "list" is missing.
E4006402	ListOsthost: Option "list" requires a value
E4006403	ListOsthost: Option "list" has invalid value
E4006404	ListOsthost: Failed to read/get option "list".

Error Code	Error Message
E4006405	ListOsthost: Failed to write/set option "list".
E4006411	ListOsthost: Option "storageserver" is missing.
E4006412	ListOsthost: Option "storageserver" requires a value
E4006413	ListOsthost: Option "storageserver" has invalid value
E4006414	ListOsthost: Value of option "storageserver" is too long
E4006415	ListOsthost: Failed to read/get option "storageserver".
E4006416	ListOsthost: Failed to write/set option "storageserver".
E4006431	ListOsthost failed!
E4006801	DeleteallLsu: Option "deleteall" is missing.
E4006802	DeleteallLsu: Option "deleteall" requires a value
E4006803	DeleteallLsu: Option "deleteall" has invalid value
E4006804	DeleteallLsu: Failed to read/get option "deleteall".
E4006805	DeleteallLsu: Failed to write/set option "deleteall".
E4006811	DeleteallLsu: Option "storageserver" is missing.
E4006812	DeleteallLsu: Option "storageserver" requires a value
E4006813	DeleteallLsu: Option "storageserver" has invalid value
E4006814	DeleteallLsu: Failed to read/get option "storageserver".
E4006815	DeleteallLsu: Failed to write/set option "storageserver".
E4006821	DeleteallLsu: Failed to read/get option "force".
E4006822	DeleteallLsu: Failed to write/set option "force".
E4006871	DeleteallLsu failed!
E4007201	DeleteallStorageserver: Option "deleteall" is missing.
E4007202	DeleteallStorageserver: Option "deleteall" requires a value
E4007203	DeleteallStorageserver: Option "deleteall" has invalid value
E4007204	DeleteallStorageserver: Failed to read/get option "deleteall".
E4007205	DeleteallStorageserver: Failed to write/set option "deleteall".
E4007211	DeleteallStorageserver: Failed to read/get option "force".
E4007212	DeleteallStorageserver: Failed to write/set option "force".
E4007261	DeleteallStorageserver failed!
E4007601	GetOstsetting: Option "get" is missing.
E4007602	GetOstsetting: Option "get" requires a value

Error Code	Error Message
E4007603	GetOstsetting: Option "get" has invalid value
E4007604	GetOstsetting: Failed to read/get option "get".
E4007605	GetOstsetting: Failed to write/set option "get".
E4007651	GetOstsetting failed!
E4008001	SetOstsetting: Option "set" is missing.
E4008002	SetOstsetting: Option "set" requires a value
E4008003	SetOstsetting: Option "set" has invalid value
E4008004	SetOstsetting: Failed to read/get option "set".
E4008005	SetOstsetting: Failed to write/set option "set".
E4008011	SetOstsetting: Option "accent" requires a value
E4008012	SetOstsetting: Option "accent" has invalid value
E4008013	SetOstsetting: Failed to read/get option "accent".
E4008014	SetOstsetting: Failed to write/set option "accent".
E4008021	SetOstsetting: Option "accentencryption" requires a value
E4008022	SetOstsetting: Option "accentencryption" has invalid value
E4008023	SetOstsetting: Failed to read/get option "accentencryption".
E4008024	SetOstsetting: Failed to write/set option "accentencryption".
E4008031	SetOstsetting: Option "accentencryptiontype" requires a value
E4008032	SetOstsetting: Option "accentencryptiontype" has invalid value
E4008033	SetOstsetting: Failed to read/get option "accentencryptiontype".
E4008034	SetOstsetting: Failed to write/set option "accentencryptiontype".
E4008041	SetOstsetting: Option "accentencryption" is required because another optional option is specified!
E4008071	SetOstsetting failed!
E4008080	SetOstsetting: At least one option has to be specified.
E4008081	SetOstsetting: "accentencryption" cannot be specified if "accent" is off.
E4008082	SetOstsetting failed when trying to update TLEManager.conf!
E4008401	ListAccentstats: Option "list" is missing.
E4008402	ListAccentstats: Option "list" requires a value

Error Code	Error Message
E4008403	ListAccentstats: Option "list" has invalid value
E4008404	ListAccentstats: Failed to read/get option "list".
E4008405	ListAccentstats: Failed to write/set option "list".
E4008411	ListAccentstats: Failed to read/get option "all".
E4008412	ListAccentstats: Failed to write/set option "all".
E4008461	ListAccentstats failed!
E4008480	Failed to get Accent statistics because it is currently disabled.
E4008481	Failed to get Accent statistics because it is currently not supported.
E5000001	Failed to get cluster status.
E5000002	Node not in cluster
E5000003	Node is still joining cluster (transient)!
E5000004	Node is still unjoining cluster (transient)!
E5000005	Cluster status is unknown!
E5000006	Cluster is in diagnostic state!
E5000007	Cluster is in degraded state!
E5000020	Shared filesystem /snfs is not available (not mounted)!
E5000021	Common area /Q is not available (not mounted)!
E5000022	Cannot get the node number!
E5000401	GetstatusNode: Option "getstatus" is missing.
E5000402	GetstatusNode: Option "getstatus" requires a value
E5000403	GetstatusNode: Option "getstatus" has invalid value
E5000404	GetstatusNode: Failed to read/get option "getstatus".
E5000405	GetstatusNode: Failed to write/set option "getstatus".
E5000411	GetstatusNode: Option "flag" is missing.
E5000412	GetstatusNode: Option "flag" requires a value
E5000413	GetstatusNode: Option "flag" has invalid value
E5000414	GetstatusNode: Failed to read/get option "flag".
E5000415	GetstatusNode: Failed to write/set option "flag".
E5000441	Failed to retrieve status of the node in the cluster!
E6000401	UpgradeFirmware: Option "upgrade" is missing.
E6000402	UpgradeFirmware: Option "upgrade" requires a value

Error Code	Error Message
E6000403	UpgradeFirmware: Option "upgrade" has invalid value
E6000404	UpgradeFirmware: Failed to read/get option "upgrade".
E6000405	UpgradeFirmware: Failed to write/set option "upgrade".
E6000411	UpgradeFirmware: Option "fromhost" is missing.
E6000412	UpgradeFirmware: Option "fromhost" requires a value
E6000413	UpgradeFirmware: Option "fromhost" has invalid value
E6000414	UpgradeFirmware: Failed to read/get option "fromhost".
E6000415	UpgradeFirmware: Failed to write/set option "fromhost".
E6000421	UpgradeFirmware: Option "user" is missing.
E6000422	UpgradeFirmware: Option "user" requires a value
E6000423	UpgradeFirmware: Option "user" has invalid value
E6000424	UpgradeFirmware: Failed to read/get option "user".
E6000425	UpgradeFirmware: Failed to write/set option "user".
E6000431	UpgradeFirmware: Option "filepath" is missing.
E6000432	UpgradeFirmware: Option "filepath" requires a value
E6000433	UpgradeFirmware: Option "filepath" has invalid value
E6000434	UpgradeFirmware: Failed to read/get option "filepath".
E6000435	UpgradeFirmware: Failed to write/set option "filepath".
E6000441	UpgradeFirmware: Option "localfile" is missing.
E6000442	UpgradeFirmware: Option "localfile" requires a value
E6000443	UpgradeFirmware: Option "localfile" has invalid value
E6000444	UpgradeFirmware: Failed to read/get option "localfile".
E6000445	UpgradeFirmware: Failed to write/set option "localfile".
E6000451	UpgradeFirmware: Unable to download firmware file.
E6000452	UpgradeFirmware: Verifying firmware image file failed.
E6000453	UpgradeFirmware: Activating firmware image file failed.
E6000454	UpgradeFirmware: Unable to open specified local firmware file.
E6000455	UpgradeFirmware: Cannot read firmware image file.
E6000456	UpgradeFirmware: Corrupted firmware image file.
E6000457	UpgradeFirmware: Firmware upgrade is invalid.
E6000458	UpgradeFirmware: Image installation failed.

Error Code	Error Message
E6000459	UpgradeFirmware: System not ready for firmware upgrade, system is not in cluster.
E6000460	UpgradeFirmware: Verify New Image utility is not found.
E6000461	UpgradeFirmware: Install New Image utility is not found.
E6000462	UpgradeFirmware: Failed getting current directory.
E6000463	UpgradeFirmware: From host specified is not responding.
E6000464	UpgradeFirmware: Specified firmware file on the specified host not found.
E6000465	UpgradeFirmware: Filename for firmware file must be full path.
E6000501	UpgradeFirmware failed!
E6000801	StartReclamation: Option "start" is missing.
E6000802	StartReclamation: Option "start" requires a value
E6000803	StartReclamation: Option "start" has invalid value
E6000804	StartReclamation: Failed to read/get option "start".
E6000805	StartReclamation: Failed to write/set option "start".
E6000821	StartReclamation failed!
E6001201	StopReclamation: Option "stop" is missing.
E6001202	StopReclamation: Option "stop" requires a value
E6001203	StopReclamation: Option "stop" has invalid value
E6001204	StopReclamation: Failed to read/get option "stop".
E6001205	StopReclamation: Failed to write/set option "stop".
E6001221	StopReclamation failed!
E6001601	GetReclamation: Option "get" is missing.
E6001602	GetReclamation: Option "get" requires a value
E6001603	GetReclamation: Option "get" has invalid value
E6001604	GetReclamation: Failed to read/get option "get".
E6001605	GetReclamation: Failed to write/set option "get".
E6001606	GetReclamation: Failed to get the reclamation schedule daily time.
E6001607	GetReclamation: Failed to get the reclamation schedule weekly time.
E6001608	GetReclamation: Failed to get the reclamation schedule type.

Error Code	Error Message
E6001609	GetReclamation: Failed to get the reclamation schedule enable status.
E6001610	GetReclamation: Periodic space reclamation schedule is not enabled.
E6001611	GetReclamation: Failed to get the reclamation schedule.
E6001621	GetReclamation failed!
E6002001	SchedReclamation: Option "sched" is missing.
E6002002	SchedReclamation: Option "sched" requires a value
E6002003	SchedReclamation: Option "sched" has invalid value
E6002004	SchedReclamation: Failed to read/get option "sched".
E6002005	SchedReclamation: Failed to write/set option "sched".
E6002011	SchedReclamation: Option "none" is missing.
E6002012	SchedReclamation: Failed to read/get option "none".
E6002013	SchedReclamation: Failed to write/set option "none".
E6002021	SchedReclamation: Option "daily" is missing.
E6002022	SchedReclamation: Option "daily" requires a value
E6002023	SchedReclamation: Option "daily" has invalid value
E6002024	SchedReclamation: Failed to read/get option "daily".
E6002025	SchedReclamation: Failed to write/set option "daily".
E6002031	SchedReclamation: Option "weekly" is missing.
E6002032	SchedReclamation: Option "weekly" requires a value
E6002033	SchedReclamation: Option "weekly" has invalid value
E6002034	SchedReclamation: Failed to read/get option "weekly".
E6002035	SchedReclamation: Failed to write/set option "weekly".
E6002041	SchedReclamation: Option "time" is missing.
E6002042	SchedReclamation: Option "time" requires a value
E6002043	SchedReclamation: Option "time" has invalid value
E6002044	SchedReclamation: Failed to read/get option "time".
E6002045	SchedReclamation: Failed to write/set option "time".
E6002046	SchedReclamation: Failed to disable the schedule for periodic space reclamation
E6002047	SchedReclamation: Failed to set the daily schedule for periodic space reclamation

Error Code	Error Message
E6002048	SchedReclamation: Failed to set the weekly schedule for periodic space reclamation
E6002049	SchedReclamation: Failed to enable the schedule for periodic space reclamation
E6002051	SchedReclamation: Option "time" is required because another optional option is specified!
E6002052	SchedReclamation: Option "weekly" is required because another optional option is specified!
E6002061	SchedReclamation failed!
E6002081	SchedReclamation: Option "stopDaily" is required because another optional option is specified!
E6002082	SchedReclamation: Option "stopDaily" requires a value
E6002083	SchedReclamation: Option "stopDaily" has invalid value
E6002084	SchedReclamation: Failed to read/get option "stopDaily".
E6002085	SchedReclamation: Failed to write/set option "stopDaily".
E6002091	SchedReclamation: Option "stopweekly" requires a value
E6002092	SchedReclamation: Option "stopweekly" has invalid value
E6002093	SchedReclamation: Failed to read/get option "stopweekly".
E6002094	SchedReclamation: Failed to write/set option "stopweekly".
E6002095	SchedReclamation: Option "stopweekly" is required because another optional option is specified!
E6002101	SchedReclamation: Option "stoptime" requires a value
E6002102	SchedReclamation: Option "stoptime" has invalid value
E6002103	SchedReclamation: Failed to read/get option "stoptime".
E6002104	SchedReclamation: Failed to write/set option "stoptime".
E6002105	SchedReclamation: Option "stoptime" is required because another optional option is specified!
E6002111	SchedReclamation: Option "every" is missing.
E6002112	SchedReclamation: Option "every" has invalid value
E6002113	SchedReclamation: Failed to read/get option "every".
E6002114	SchedReclamation: Failed to write/set option "every".
E6002121	SchedReclamation: Option "start" is missing.
E6002122	SchedReclamation: Option "start" requires a value
E6002123	SchedReclamation: Option "start" has invalid value

Error Code	Error Message
E6002124	SchedReclamation: Failed to read/get option "start".
E6002125	SchedReclamation: Failed to write/set option "start".
E6002401	AddLicense: Option "add" is missing.
E6002402	AddLicense: Option "add" requires a value
E6002403	AddLicense: Option "add" has invalid value
E6002404	AddLicense: Failed to read/get option "add".
E6002405	AddLicense: Failed to write/set option "add".
E6002411	AddLicense: Option "key" is missing.
E6002412	AddLicense: Option "key" requires a value
E6002413	AddLicense: Option "key" has invalid value
E6002414	AddLicense: Failed to read/get option "key".
E6002415	AddLicense: Failed to write/set option "key".
E6002431	AddLicense failed!
E6002801	ListLicense: Option "list" is missing.
E6002802	ListLicense: Option "list" requires a value
E6002803	ListLicense: Option "list" has invalid value
E6002804	ListLicense: Failed to read/get option "list".
E6002805	ListLicense: Failed to write/set option "list".
E6002821	ListLicense failed!
E6003201	Nodemanage: Option "nodemanage" is missing.
E6003202	Nodemanage: Failed to read/get option "nodemanage".
E6003203	Nodemanage: Failed to write/set option "nodemanage".
E6003211	Nodemanage: Option "reboot" is missing.
E6003212	Nodemanage: Option "reboot" requires a value
E6003213	Nodemanage: Option "reboot" has invalid value
E6003214	Nodemanage: Failed to read/get option "reboot".
E6003215	Nodemanage: Failed to write/set option "reboot".
E6003221	Nodemanage: Option "shutdown" is missing.
E6003222	Nodemanage: Failed to read/get option "shutdown".
E6003223	Nodemanage: Failed to write/set option "shutdown".
E6003231	Nodemanage: Option "resetdiag" is missing.

Error Code	Error Message
E6003232	Nodemanage: Failed to read/get option "resetdiag".
E6003233	Nodemanage: Failed to write/set option "resetdiag".
E6003241	Nodemanage: Option "node" requires a value
E6003242	Nodemanage: Option "node" has invalid value
E6003243	Nodemanage: Failed to read/get option "node".
E6003244	Nodemanage: Failed to write/set option "node".
E6003251	Nodemanage failed!
E6003252	Nodemanage: Error determining the first node ID.
E6003253	Nodemanage: Error determining the last node ID.
E6003254	Nodemanage: Error determining the local node ID.
E6003255	Nodemanage: Failed to start node as IPMI is not supported .
E6003256	Nodemanage: Failed to restart node as IPMI is not supported.
E6003257	Nodemanage: Invalid NodeID.
E6003258	Nodemanage: Unkown Error.
E6003259	Nodemanage: The event handler is already registered.
E6003260	Nodemanage: There are no event handlers registered.
E6003261	Nodemanage: An error occurred while performing a system call.
E6003262	Nodemanage: The file could not be found.
E6003263	Nodemanage: The buffer size is too small.
E6003264	Nodemanage: Not enough memory available to perform the operation.
E6003265	Nodemanage: An error occurred while posting an event.
E6003266	Nodemanage:Invalid argument.
E6003267	Nodemanage:Failed to join the node to the cluster.
E6003268	Nodemanage:The node is already joined to the cluster.
E6003269	Nodemanage:Failed to unjoin the node from the cluster.
E6003270	Nodemanage:The node is already unjoined from the cluster.
E6003271	Nodemanage:The node is in a transient state.
E6003272	Nodemanage:Failed to reboot the node.
E6003273	Nodemanage:Failed to shutdown the node.

Error Code	Error Message
E6003274	Nodemanage:The node is already stopped.
E6003275	Nodemanage:The node is already started.
E6003276	Nodemanage:Failed to stop the node.
E6003277	Nodemanage:The node is not reachable through the network.
E6003278	Nodemanage:The node is stopped.
E6003279	Nodemanage:The operation cannot be performed on the local node.
E6003280	Nodemanage:The operation failed on one or more nodes.
E6003281	Nodemanage:Too many event handlers are already registered.
E6003282	Nodemanage:Failed to parse the file.
E6003283	Nodemanage:Invalid cluster action.
E6003284	Nodemanage:Invalid cluster state.
E6003285	Nodemanage:Invalid cluster role.
E6003286	Nodemanage:Invalid power state.
E6003287	Nodemanage:The operation is not supported.
E6003288	Nodemanage:Core services failed, join not allowed.
E6003289	Nodemanage:This operation is currently disabled.
E6003290	Nodemanage:An error occurred while opening a file.
E6003291	Nodemanage:An error occurred while reading a file.
E6003292	Nodemanage:The operation failed due to a communication error.
E6003293	Nodemanage:An error occurred while writing a file.
E6003294	Nodemanage:The node is not in a degraded state.
E6003295	Nodemanage:Invalid cluster severity.
E6003296	Nodemanage:The node is not present.
E6003297	Nodemanage:The reset operation failed.
E6003298	Nodemanage:The process monitor is already enabled.
E6003299	Nodemanage:The process monitor is already disabled.
E6003300	Nodemanage:Invalid process monitor state.
E6003301	Nodemanage:Invalid Hardware state.

Error Code	Error Message
E6003302	Nodemanage:The number of SMITH counts has been exceeded.
E6003303	Nodemanage:The number of STOMITH counts has been exceeded.
E6003304	Nodemanage:Blockpool verification in process. Cannot reboot,shutdown or reset the nodes.
E6003601	GenDiaglog: Option "gen" is missing.
E6003602	GenDiaglog: Option "gen" requires a value
E6003603	GenDiaglog: Option "gen" has invalid value
E6003604	GenDiaglog: Failed to read/get option "gen".
E6003605	GenDiaglog: Failed to write/set option "gen".
E6003611	Gendiaglog: Failed to read/get option "system".
E6003612	Gendiaglog: Failed to write/set option "system".
E6003621	GenDiaglog: Failed to read/get option "quiet".
E6003622	GenDiaglog: Failed to write/set option "quiet".
E6003631	GenDiaglog: Failed to read/get option "lastgen".
E6003632	GenDiaglog: Failed to write/set option "lastgen".
E6003651	Gendiaglog failed!
E6003661	Gendiaglog: The system is transient state. Cannot generate logs.
E6003662	Gendiaglog: Error running the collect script.
E6003663	Gendiaglog: No generated log exists.
E6003664	Gendiaglog: Cannot open output file to determine status.
E6003665	Gendiaglog: The tool to collect requested log is not available.
E6003681	GenDiaglog: Option "system" is required because another optional option is specified!
E6003691	GenDiaglog: Option "array" is required because another optional option is specified!
E6003692	GenDiaglog: Failed to read/get option "array".
E6003693	GenDiaglog: Failed to write/set option "array".
E6004001	DownloadDiaglog: Option "download" is missing.
E6004002	DownloadDiaglog: Option "download" requires a value
E6004003	DownloadDiaglog: Option "download" has invalid value
E6004004	DownloadDiaglog: Failed to read/get option "download".

Error Code	Error Message
E6004005	DownloadDiaglog: Failed to write/set option "download".
E6004011	Downloaddiaglog: Failed to read/get option "system".
E6004012	Downloaddiaglog: Failed to write/set option "system".
E6004051	Downloaddiaglog failed!
E6004061	Downloaddiaglog: No logs are available to download. Please run generate log first.
E6004062	Downloaddiaglog: Error in command to copy log file.
E6004081	DownloadDiaglog: Option "system" is required because another optional option is specified!
E6004091	DownloadDiaglog: Option "array" is required because another optional option is specified!
E6004092	DownloadDiaglog: Failed to read/get option "array".
E6004093	DownloadDiaglog: Failed to write/set option "array".
E6004801	GetstatusReclamation: Option "getstatus" is missing.
E6004802	GetstatusReclamation: Option "getstatus" requires a value
E6004803	GetstatusReclamation: Option "getstatus" has invalid value
E6004804	GetstatusReclamation: Failed to read/get option "getstatus".
E6004805	GetstatusReclamation: Failed to write/set option "getstatus".
E6004806	GetstatusReclamation: Failed to get general space reclamation status from Garbage Collection.
E6004901	GetstatusReclamation failed!
E6005201	GetCredential: Option "get" is missing.
E6005202	GetCredential: Option "get" requires a value
E6005203	GetCredential: Option "get" has invalid value
E6005204	GetCredential: Failed to read/get option "get".
E6005205	GetCredential: Failed to write/set option "get".
E6005211	GetCredential: Option "name" is missing.
E6005212	GetCredential: Option "name" requires a value
E6005213	GetCredential: Option "name" has invalid value
E6005214	GetCredential: Failed to read/get option "name".
E6005215	GetCredential: Failed to write/set option "name".
E6005221	GetCredential: Option "password" is missing.
E6005222	GetCredential: Option "password" requires a value

Error Code	Error Message
E6005223	GetCredential: Option "password" has invalid value
E6005224	GetCredential: Failed to read/get option "password".
E6005225	GetCredential: Failed to write/set option "password".
E6005231	GetCredential: Option "client" is missing.
E6005232	GetCredential: Option "client" requires a value
E6005233	GetCredential: Option "client" has invalid value
E6005234	GetCredential: Failed to read/get option "client".
E6005235	GetCredential: Failed to write/set option "client".
E6005236	GetCredential: Value of option "client" is too long
E6005241	GetCredential: Option "host" is missing.
E6005242	GetCredential: Option "host" requires a value
E6005243	GetCredential: Option "host" has invalid value
E6005244	GetCredential: Failed to read/get option "host".
E6005245	GetCredential: Failed to write/set option "host".
E6005246	GetCredential: Value of option "host" is too long
E6005251	GetCredential: Option "session" is missing.
E6005252	GetCredential: Option "session" requires a value
E6005253	GetCredential: Option "session" has invalid value
E6005254	GetCredential: Failed to read/get option "session".
E6005255	GetCredential: Failed to write/set option "session".
E6005261	GetCredential: Option "timeout" requires a value
E6005262	GetCredential: Option "timeout" has invalid value
E6005263	GetCredential: Failed to read/get option "timeout".
E6005264	GetCredential: Failed to write/set option "timeout".
E6005271	GetCredential: Option "permission" requires a value
E6005272	GetCredential: Option "permission" has invalid value
E6005273	GetCredential: Failed to read/get option "permission".
E6005274	GetCredential: Failed to write/set option "permission".
E6005301	GetCredential failed!
E6005601	ReleaseCredential: Option "release" is missing.
E6005602	ReleaseCredential: Option "release" requires a value

Error Code	Error Message
E6005603	ReleaseCredential: Option "release" has invalid value
E6005604	ReleaseCredential: Failed to read/get option "release".
E6005605	ReleaseCredential: Failed to write/set option "release".
E6005611	ReleaseCredential: Option "credtoken" is missing.
E6005612	ReleaseCredential: Option "credtoken" requires a value
E6005613	ReleaseCredential: Option "credtoken" has invalid value
E6005614	ReleaseCredential: Failed to read/get option "credtoken".
E6005615	ReleaseCredential: Failed to write/set option "credtoken".
E6005621	ReleaseCredential: Failed to read/get option "validate".
E6005622	ReleaseCredential: Failed to write/set option "validate".
E6005631	ReleaseCredential: Failed to read/get option "renew".
E6005632	ReleaseCredential: Failed to write/set option "renew".
E6005641	ReleaseCredential: Option "chkadmin" is required because another optional option is specified!
E6005642	ReleaseCredential: Failed to read/get option "chkadmin".
E6005643	ReleaseCredential: Failed to write/set option "chkadmin".
E6005651	ReleaseCredential: Option "chkview" is required because another optional option is specified!
E6005652	ReleaseCredential: Failed to read/get option "chkview".
E6005653	ReleaseCredential: Failed to write/set option "chkview".
E6005701	ReleaseCredential failed!
E6006001	Tickle: Option "tickle" is missing.
E6006002	Tickle: Failed to read/get option "tickle".
E6006003	Tickle: Failed to write/set option "tickle".
E6006011	Tickle: Option "cred" is missing.
E6006012	Tickle: Option "cred" requires a value
E6006013	Tickle: Option "cred" has invalid value
E6006014	Tickle: Failed to read/get option "cred".
E6006015	Tickle: Failed to write/set option "cred".
E6006031	Tickle failed!
E6006401	Test: Option "test" is missing.
E6006402	Test: Failed to read/get option "test".

Error Code	Error Message
E6006403	Test: Failed to write/set option "test".
E6006411	Test: Option "num" is missing.
E6006412	Test: Option "num" requires a value
E6006413	Test: Option "num" has invalid value
E6006414	Test: Failed to read/get option "num".
E6006415	Test: Failed to write/set option "num".
E6006421	Test: Option "opt1" requires a value
E6006422	Test: Option "opt1" has invalid value
E6006423	Test: Failed to read/get option "opt1".
E6006424	Test: Failed to write/set option "opt1".
E6006431	Test: Option "opt2" requires a value
E6006432	Test: Option "opt2" has invalid value
E6006433	Test: Failed to read/get option "opt2".
E6006434	Test: Failed to write/set option "opt2".
E6006441	Test: Option "opt3" requires a value
E6006442	Test: Option "opt3" has invalid value
E6006443	Test: Failed to read/get option "opt3".
E6006444	Test: Failed to write/set option "opt3".
E6006451	Test: Option "opt4" requires a value
E6006452	Test: Option "opt4" has invalid value
E6006453	Test: Failed to read/get option "opt4".
E6006454	Test: Failed to write/set option "opt4".
E6006461	Test: Option "opt5" requires a value
E6006462	Test: Option "opt5" has invalid value
E6006463	Test: Failed to read/get option "opt5".
E6006464	Test: Failed to write/set option "opt5".
E6006501	Test failed!
E6006801	Authenticate: Option "password" requires a value
E6006802	Authenticate: Option "authenticate" is missing.
E6006803	Authenticate: Failed to read/get option "authenticate".
E6006804	Authenticate: Failed to write/set option "authenticate".

Error Code	Error Message
E6006811	Authenticate: Option "name" is missing.
E6006812	Authenticate: Option "name" requires a value
E6006813	Authenticate: Option "name" has invalid value
E6006814	Authenticate: Failed to read/get option "name".
E6006815	Authenticate: Failed to write/set option "name".
E6006821	Authenticate: Option "password" is missing.
E6006822	Authenticate: Option "password" has invalid value
E6006823	Authenticate: Failed to read/get option "password".
E6006824	Authenticate: Failed to write/set option "password".
E6006831	Authenticate: Option "client" is missing.
E6006832	Authenticate: Option "client" requires a value
E6006833	Authenticate: Option "client" has invalid value
E6006834	Authenticate: Value of option "client" is too long
E6006835	Authenticate: Failed to read/get option "client".
E6006836	Authenticate: Failed to write/set option "client".
E6006841	Authenticate: Option "host" is missing.
E6006842	Authenticate: Option "host" requires a value
E6006843	Authenticate: Option "host" has invalid value
E6006844	Authenticate: Value of option "host" is too long
E6006845	Authenticate: Failed to read/get option "host".
E6006846	Authenticate: Failed to write/set option "host".
E6006851	Authenticate: Option "session" is missing.
E6006852	Authenticate: Option "session" requires a value
E6006853	Authenticate: Option "session" has invalid value
E6006854	Authenticate: Failed to read/get option "session".
E6006855	Authenticate: Failed to write/set option "session".
E6006861	Authenticate: Option "timeout" requires a value
E6006862	Authenticate: Option "timeout" has invalid value
E6006863	Authenticate: Failed to read/get option "timeout".
E6006864	Authenticate: Failed to write/set option "timeout".
E6006901	Authenticate failed!

Error Code	Error Message
E6007201	GetPermission: Option "get" is missing.
E6007202	GetPermission: Option "get" requires a value
E6007203	GetPermission: Option "get" has invalid value
E6007204	GetPermission: Failed to read/get option "get".
E6007205	GetPermission: Failed to write/set option "get".
E6007211	GetPermission: Option "credtoken" is missing.
E6007212	GetPermission: Option "credtoken" requires a value
E6007213	GetPermission: Option "credtoken" has invalid value
E6007214	GetPermission: Failed to read/get option "credtoken".
E6007215	GetPermission: Failed to write/set option "credtoken".
E6007231	GetPermission failed!
E6007601	GetError: Option "get" is missing.
E6007602	GetError: Option "get" requires a value
E6007603	GetError: Option "get" has invalid value
E6007604	GetError: Failed to read/get option "get".
E6007605	GetError: Failed to write/set option "get".
E6007611	GetError: Option "type" requires a value
E6007612	GetError: Option "type" has invalid value
E6007613	GetError: Failed to read/get option "type".
E6007614	GetError: Failed to write/set option "type".
E6007621	GetError: Option "value" is missing.
E6007622	GetError: Option "value" requires a value
E6007623	GetError: Option "value" has invalid value
E6007624	GetError: Failed to read/get option "value".
E6007625	GetError: Failed to write/set option "value".
E6007651	GetError failed!
E6008001	CleanupContinuousrep: Option "cleanup" is missing.
E6008002	CleanupContinuousrep: Option "cleanup" requires a value
E6008003	CleanupContinuousrep: Option "cleanup" has invalid value
E6008004	CleanupContinuousrep: Failed to read/get option "cleanup".
E6008005	CleanupContinuousrep: Failed to write/set option "cleanup".

Error Code	Error Message
E6008011	CleanupContinuousrep: Option "enable" is missing.
E6008012	CleanupContinuousrep: Failed to read/get option "enable".
E6008013	CleanupContinuousrep: Failed to write/set option "enable".
E6008021	CleanupContinuousrep: Option "disable" is missing.
E6008022	CleanupContinuousrep: Failed to read/get option "disable".
E6008023	CleanupContinuousrep: Failed to write/set option "disable".
E6008031	CleanupContinuousrep: Option "show" is missing.
E6008032	CleanupContinuousrep: Failed to read/get option "show".
E6008033	CleanupContinuousrep: Failed to write/set option "show".
E6008041	CleanupContinuousrep: Option "every" is missing.
E6008042	CleanupContinuousrep: Option "every" requires a value
E6008043	CleanupContinuousrep: Option "every" has invalid value
E6008044	CleanupContinuousrep: Failed to read/get option "every".
E6008045	CleanupContinuousrep: Failed to write/set option "every".
E6008061	CleanupContinuousrep failed!
E6008401	ShowFile: Option "show" is missing.
E6008402	ShowFile: Option "show" requires a value
E6008403	ShowFile: Option "show" has invalid value
E6008404	ShowFile: Failed to read/get option "show".
E6008405	ShowFile: Failed to write/set option "show".
E6008411	ShowFile: Option "name" is missing.
E6008412	ShowFile: Option "name" requires a value
E6008413	ShowFile: Option "name" has invalid value
E6008414	ShowFile: Failed to read/get option "name".
E6008415	ShowFile: Failed to write/set option "name".
E6008421	ShowFile: Option "head" requires a value
E6008422	ShowFile: Option "head" has invalid value
E6008423	ShowFile: Failed to read/get option "head".
E6008424	ShowFile: Failed to write/set option "head".
E6008431	ShowFile: Option "tail" requires a value
E6008432	ShowFile: Option "tail" has invalid value

Error Code	Error Message
E6008433	ShowFile: Failed to read/get option "tail".
E6008434	ShowFile: Failed to write/set option "tail".
E6008441	ShowFile: Option "grep" requires a value
E6008442	ShowFile: Option "grep" has invalid value
E6008443	ShowFile: Failed to read/get option "grep".
E6008444	ShowFile: Failed to write/set option "grep".
E6008491	ShowFile failed!
E6008801	GetParam: Option "get" is missing.
E6008802	GetParam: Option "get" requires a value
E6008803	GetParam: Option "get" has invalid value
E6008804	GetParam: Failed to read/get option "get".
E6008805	GetParam: Failed to write/set option "get".
E6008811	GetParam: Option "filename" is missing.
E6008812	GetParam: Option "filename" requires a value
E6008813	GetParam: Option "filename" has invalid value
E6008814	GetParam: Failed to read/get option "filename".
E6008815	GetParam: Failed to write/set option "filename".
E6008821	GetParam: Option "section" requires a value
E6008822	GetParam: Option "section" has invalid value
E6008823	GetParam: Failed to read/get option "section".
E6008824	GetParam: Failed to write/set option "section".
E6008831	GetParam: Option "name" is missing.
E6008832	GetParam: Option "name" requires a value
E6008833	GetParam: Option "name" has invalid value
E6008834	GetParam: Failed to read/get option "name".
E6008835	GetParam: Failed to write/set option "name".
E6008891	GetParam failed!
E6008892	GetParam: Specified section not found!
E6008893	GetParam: Failed to get the specified section from file!
E6008894	GetParam: Failed to get the contents of file!
E6009201	SetParam: Option "set" is missing.

Error Code	Error Message
E6009202	SetParam: Option "set" requires a value
E6009203	SetParam: Option "set" has invalid value
E6009204	SetParam: Failed to read/get option "set".
E6009205	SetParam: Failed to write/set option "set".
E6009211	SetParam: Option "filename" is missing.
E6009212	SetParam: Option "filename" requires a value
E6009213	SetParam: Option "filename" has invalid value
E6009214	SetParam: Failed to read/get option "filename".
E6009215	SetParam: Failed to write/set option "filename".
E6009221	SetParam: Option "section" requires a value
E6009222	SetParam: Option "section" has invalid value
E6009223	SetParam: Failed to read/get option "section".
E6009224	SetParam: Failed to write/set option "section".
E6009231	SetParam: Option "name" is missing.
E6009232	SetParam: Option "name" requires a value
E6009233	SetParam: Option "name" has invalid value
E6009234	SetParam: Failed to read/get option "name".
E6009235	SetParam: Failed to write/set option "name".
E6009241	SetParam: Option "value" is missing.
E6009242	SetParam: Option "value" requires a value
E6009243	SetParam: Option "value" has invalid value
E6009244	SetParam: Failed to read/get option "value".
E6009245	SetParam: Failed to write/set option "value".
E6009251	SetParam: Failed to read/get option "nocheck".
E6009252	SetParam: Failed to write/set option "nocheck".
E6009291	SetParam failed!
E6009292	SetParam: Failed to change the specified parameter!
E6009293	SetParam: Failed to add the new parameter!
E6009294	SetParam: Failed to set parameter!
E6009295	SetParam: Parameter not found!
E6009296	SetParam: Failed to reload 'noded' daemon!

Error Code	Error Message
E6009601	DelParam: Option "del" is missing.
E6009602	DelParam: Option "del" requires a value
E6009603	DelParam: Option "del" has invalid value
E6009604	DelParam: Failed to read/get option "del".
E6009605	DelParam: Failed to write/set option "del".
E6009611	DelParam: Option "filename" is missing.
E6009612	DelParam: Option "filename" requires a value
E6009613	DelParam: Option "filename" has invalid value
E6009614	DelParam: Failed to read/get option "filename".
E6009615	DelParam: Failed to write/set option "filename".
E6009621	DelParam: Option "section" requires a value
E6009622	DelParam: Option "section" has invalid value
E6009623	DelParam: Failed to read/get option "section".
E6009624	DelParam: Failed to write/set option "section".
E6009631	DelParam: Option "name" requires a value
E6009632	DelParam: Option "name" has invalid value
E6009633	DelParam: Failed to read/get option "name".
E6009634	DelParam: Failed to write/set option "name".
E6009681	DelParam failed!
E6009682	DelParam: Must specify at least option --section or --name!
E6009683	DelParam: Failed to delete the specified parameter!
E6009684	DelParam: Failed to delete the specified section!
E6009685	DelParam: Failed to reload 'noded' daemon!
E6012001	ChangePassword: Option "oldpassword" requires a value
E6012002	ChangePassword: Option "newpassword" requires a value
E6012003	ChangePassword: Option "change" is missing.
E6012004	ChangePassword: Option "change" requires a value
E6012005	ChangePassword: Option "change" has invalid value
E6012006	ChangePassword: Failed to read/get option "change".
E6012007	ChangePassword: Failed to write/set option "change".
E6012011	ChangePassword: Option "name" is missing.

Error Code	Error Message
E6012012	ChangePassword: Option "name" requires a value
E6012013	ChangePassword: Option "name" has invalid value
E6012014	ChangePassword: Failed to read/get option "name".
E6012015	ChangePassword: Failed to write/set option "name".
E6012021	ChangePassword: Option "oldpassword" is missing.
E6012023	ChangePassword: Option "oldpassword" has invalid value
E6012024	ChangePassword: Failed to read/get option "oldpassword".
E6012025	ChangePassword: Failed to write/set option "oldpassword".
E6012031	ChangePassword: Option "newpassword" is missing.
E6012032	ChangePassword: Option "newpassword" has invalid value
E6012033	ChangePassword: Failed to read/get option "newpassword".
E6012034	ChangePassword: Failed to write/set option "newpassword".
E6012081	ChangePassword failed!
E6012401	ResetPassword: Option "reset" is missing.
E6012402	ResetPassword: Option "reset" requires a value
E6012403	ResetPassword: Option "reset" has invalid value
E6012404	ResetPassword: Failed to read/get option "reset".
E6012405	ResetPassword: Failed to write/set option "reset".
E6012411	ResetPassword: Option "name" is missing.
E6012412	ResetPassword: Option "name" requires a value
E6012413	ResetPassword: Option "name" has invalid value
E6012414	ResetPassword: Failed to read/get option "name".
E6012415	ResetPassword: Failed to write/set option "name".
E6012461	ResetPassword failed!
E6012462	ResetPassword: Username is not supported!
E6012801	ListCountry: Option "list" is missing.
E6012802	ListCountry: Option "list" requires a value
E6012803	ListCountry: Option "list" has invalid value
E6012804	ListCountry: Failed to read/get option "list".
E6012805	ListCountry: Failed to write/set option "list".
E6012851	ListCountry failed!

Error Code	Error Message
E6013201	SetAiscntproxy: Option "password" requires a value
E6013202	SetAiscntproxy: Option "set" is missing.
E6013203	SetAiscntproxy: Option "set" requires a value
E6013204	SetAiscntproxy: Option "set" has invalid value
E6013205	SetAiscntproxy: Failed to read/get option "set".
E6013206	SetAiscntproxy: Failed to write/set option "set".
E6013211	SetAiscntproxy: Option "clear" is missing.
E6013212	SetAiscntproxy: Failed to read/get option "clear".
E6013213	SetAiscntproxy: Failed to write/set option "clear".
E6013221	SetAiscntproxy: Option "server" is missing.
E6013222	SetAiscntproxy: Option "server" requires a value
E6013223	SetAiscntproxy: Option "server" has invalid value
E6013224	SetAiscntproxy: Failed to read/get option "server".
E6013225	SetAiscntproxy: Failed to write/set option "server".
E6013231	SetAiscntproxy: Option "port" is missing.
E6013232	SetAiscntproxy: Option "port" requires a value
E6013233	SetAiscntproxy: Option "port" has invalid value
E6013234	SetAiscntproxy: Failed to read/get option "port".
E6013235	SetAiscntproxy: Failed to write/set option "port".
E6013241	SetAiscntproxy: Failed to read/get option "authenticate".
E6013242	SetAiscntproxy: Failed to write/set option "authenticate".
E6013245	SetAiscntproxy: Failed to read/get option "ntlm".
E6013246	SetAiscntproxy: Failed to write/set option "ntlm".
E6013251	SetAiscntproxy: Option "username" requires a value
E6013252	SetAiscntproxy: Option "username" has invalid value
E6013253	SetAiscntproxy: Failed to read/get option "username".
E6013254	SetAiscntproxy: Failed to write/set option "username".
E6013261	SetAiscntproxy: Option "password" has invalid value
E6013262	SetAiscntproxy: Failed to read/get option "password".
E6013263	SetAiscntproxy: Failed to write/set option "password".
E6013271	SetAiscntproxy: Option "countryid" is missing.

Error Code	Error Message
E6013272	SetAiscntproxy: Option "countryid" requires a value
E6013273	SetAiscntproxy: Option "countryid" has invalid value
E6013274	SetAiscntproxy: Failed to read/get option "countryid".
E6013275	SetAiscntproxy: Failed to write/set option "countryid".
E6013281	SetAiscntproxy: Option "username" is required because another optional option has been specified!
E6013282	SetAiscntproxy: Option "authenticate" is required because another optional option has been specified!
E6013283	SetAiscntproxy: Option "password" is required because another optional option has been specified!
E6013321	SetAiscntproxy failed!
E6013601	SetAiscntaccess: Option "set" is missing.
E6013602	SetAiscntaccess: Option "set" requires a value
E6013603	SetAiscntaccess: Option "set" has invalid value
E6013604	SetAiscntaccess: Failed to read/get option "set".
E6013605	SetAiscntaccess: Failed to write/set option "set".
E6013611	SetAiscntaccess: Option "enable" is missing.
E6013612	SetAiscntaccess: Failed to read/get option "enable".
E6013613	SetAiscntaccess: Failed to write/set option "enable".
E6013621	SetAiscntaccess: Option "disable" is missing.
E6013622	SetAiscntaccess: Failed to read/get option "disable".
E6013623	SetAiscntaccess: Failed to write/set option "disable".
E6013671	SetAiscntaccess failed!
E6014001	SetAiscntservice: Option "set" is missing.
E6014002	SetAiscntservice: Option "set" requires a value
E6014003	SetAiscntservice: Option "set" has invalid value
E6014004	SetAiscntservice: Failed to read/get option "set".
E6014005	SetAiscntservice: Failed to write/set option "set".
E6014011	SetAiscntservice: Option "start" is missing.
E6014012	SetAiscntservice: Failed to read/get option "start".
E6014013	SetAiscntservice: Failed to write/set option "start".
E6014021	SetAiscntservice: Option "stop" is missing.

Error Code	Error Message
E6014022	SetAiscntservice: Failed to read/get option "stop".
E6014023	SetAiscntservice: Failed to write/set option "stop".
E6014071	SetAiscntservice failed!
E6014401	SetAiscntsmartpoll: Option "set" is missing.
E6014402	SetAiscntsmartpoll: Option "set" requires a value
E6014403	SetAiscntsmartpoll: Option "set" has invalid value
E6014404	SetAiscntsmartpoll: Failed to read/get option "set".
E6014405	SetAiscntsmartpoll: Failed to write/set option "set".
E6014451	SetAiscntsmartpoll failed!
E6014801	GetstatusAiscntproxy: Option "getstatus" is missing.
E6014802	GetstatusAiscntproxy: Option "getstatus" requires a value
E6014803	GetstatusAiscntproxy: Option "getstatus" has invalid value
E6014804	GetstatusAiscntproxy: Failed to read/get option "getstatus".
E6014805	GetstatusAiscntproxy: Failed to write/set option "getstatus".
E6014851	GetstatusAiscntproxy failed!
E6015201	GetstatusAiscntaccess: Option "getstatus" is missing.
E6015202	GetstatusAiscntaccess: Option "getstatus" requires a value
E6015203	GetstatusAiscntaccess: Option "getstatus" has invalid value
E6015204	GetstatusAiscntaccess: Failed to read/get option "getstatus".
E6015205	GetstatusAiscntaccess: Failed to write/set option "getstatus".
E6015251	GetstatusAiscntaccess failed!
E6015601	GetstatusAiscntservice: Option "getstatus" is missing.
E6015602	GetstatusAiscntservice: Option "getstatus" requires a value
E6015603	GetstatusAiscntservice: Option "getstatus" has invalid value
E6015604	GetstatusAiscntservice: Failed to read/get option "getstatus".
E6015605	GetstatusAiscntservice: Failed to write/set option "getstatus".
E6015651	GetstatusAiscntservice failed!
E6016401	GetcountFailedlogin: Option "getcount" is missing.
E6016402	GetcountFailedlogin: Option "getcount" requires a value
E6016403	GetcountFailedlogin: Option "getcount" has invalid value
E6016404	GetcountFailedlogin: Failed to read/get option "getcount".

Error Code	Error Message
E6016405	GetcountFailedlogin: Failed to write/set option "getcount".
E6016411	GetcountFailedlogin: Option "user" is missing.
E6016412	GetcountFailedlogin: Option "user" requires a value
E6016413	GetcountFailedlogin: Option "user" has invalid value
E6016414	GetcountFailedlogin: Failed to read/get option "user".
E6016415	GetcountFailedlogin: Failed to write/set option "user".
E6016421	GetcountFailedlogin: Failed to read/get option "usedwithsshd".
E6016422	GetcountFailedlogin: Failed to write/set option "usedwithsshd".
E6016461	GetcountFailedlogin failed!
E6016801	GetSecuritybanner: Option "get" is missing.
E6016802	GetSecuritybanner: Option "get" requires a value
E6016803	GetSecuritybanner: Option "get" has invalid value
E6016804	GetSecuritybanner: Failed to read/get option "get".
E6016805	GetSecuritybanner: Failed to write/set option "get".
E6016851	GetSecuritybanner failed!
E6017201	SetSecuritybanner: Option "set" is missing.
E6017202	SetSecuritybanner: Option "set" requires a value
E6017203	SetSecuritybanner: Option "set" has invalid value
E6017204	SetSecuritybanner: Failed to read/get option "set".
E6017205	SetSecuritybanner: Failed to write/set option "set".
E6017211	SetSecuritybanner: Option "txtfile" is missing.
E6017212	SetSecuritybanner: Option "txtfile" requires a value
E6017213	SetSecuritybanner: Option "txtfile" has invalid value
E6017214	SetSecuritybanner: Failed to read/get option "txtfile".
E6017215	SetSecuritybanner: Failed to write/set option "txtfile".
E6017261	SetSecuritybanner failed!
E6500401	Runcmd: Option "runcmd" is missing.
E6500402	Runcmd: Failed to read/get option "runcmd".
E6500403	Runcmd: Failed to write/set option "runcmd".
E6500404	Runcmd: Repeated option "--runcmd" not allowed.

Error Code	Error Message
E6500411	Runcmd: Option "cmd" is missing.
E6500412	Runcmd: Option "cmd" has invalid value
E6500413	Runcmd: Failed to read/get option "cmd".
E6500414	Runcmd: Failed to write/set option "cmd".
E6500421	Runcmd: Option "option" has invalid value
E6500422	Runcmd: Failed to read/get option "option"
E6500423	Runcmd: Failed to write/set option "option".
E6500451	Runcmd failed!
E6552001	AddEvent: Option "sched" is missing.
E6552002	AddEvent: Option "sched" requires a value
E6552003	AddEvent: Option "sched" has invalid value
E6552004	AddEvent: Failed to read/get option "sched".
E6552005	AddEvent: Failed to write/set option "sched".
E6552011	AddEvent: Option "desc" is missing.
E6552012	AddEvent: Option "desc" requires a value
E6552013	AddEvent: Option "desc" has invalid value
E6552014	AddEvent: Failed to read/get option "desc".
E6552015	AddEvent: Failed to write/set option "desc".
E6552016	AddEvent: Option "desc" must be unique (another event is already using this name).
E6552021	AddEvent: Option "throttle" is missing.
E6552022	AddEvent: Option "throttle" requires a value
E6552023	AddEvent: Option "throttle" has invalid value
E6552024	AddEvent: Failed to read/get option "throttle".
E6552025	AddEvent: Failed to write/set option "throttle".
E6552031	AddEvent: Option "service" is missing.
E6552032	AddEvent: Option "service" requires a value
E6552033	AddEvent: Option "service" has invalid value
E6552034	AddEvent: Failed to read/get option "service".
E6552035	AddEvent: Failed to write/set option "service".
E6552041	AddEvent: Option "start" is missing.
E6552042	AddEvent: Option "start" requires a value

Error Code	Error Message
E6552043	AddEvent: Option "start" has invalid value
E6552044	AddEvent: Failed to read/get option "start".
E6552045	AddEvent: Failed to write/set option "start".
E6552046	AddEvent: Start time cannot be in the past.
E6552051	AddEvent: Option "end" requires a value
E6552052	AddEvent: Option "end" has invalid value
E6552053	AddEvent: Failed to read/get option "end".
E6552054	AddEvent: Failed to write/set option "end".
E6552055	AddEvent: End date/time must be after start date/time.
E6552061	AddEvent: Failed to read/get option "daily".
E6552062	AddEvent: Failed to write/set option "daily".
E6552071	AddEvent: Option "weekly" requires a value
E6552072	AddEvent: Option "weekly" has invalid value
E6552073	AddEvent: Failed to read/get option "weekly".
E6552074	AddEvent: Failed to write/set option "weekly".
E6552081	AddEvent: Failed to read/get option "monthly".
E6552082	AddEvent: Failed to write/set option "monthly".
E6552091	AddEvent: Option "monthday" requires a value
E6552092	AddEvent: Option "monthday" has invalid value
E6552093	AddEvent: Failed to read/get option "monthday".
E6552094	AddEvent: Failed to write/set option "monthday".
E6552101	AddEvent: Failed to read/get option "yearly".
E6552102	AddEvent: Failed to write/set option "yearly".
E6552111	AddEvent: Option "yearday" requires a value
E6552112	AddEvent: Option "yearday" has invalid value
E6552113	AddEvent: Failed to read/get option "yearday".
E6552114	AddEvent: Failed to write/set option "yearday".
E6552121	AddEvent: Option "interval" requires a value
E6552122	AddEvent: Option "interval" has invalid value
E6552123	AddEvent: Failed to read/get option "interval".
E6552124	AddEvent: Failed to write/set option "interval".

Error Code	Error Message
E6552131	AddEvent: Option "until" requires a value
E6552132	AddEvent: Option "until" has invalid value
E6552133	AddEvent: Failed to read/get option "until".
E6552134	AddEvent: Failed to write/set option "until".
E6552135	AddEvent: Until date/time must be after start date/time.
E6552136	AddEvent: Until date/time must be after end date/time.
E6552141	AddEvent: Option "count" requires a value
E6552142	AddEvent: Option "count" has invalid value
E6552143	AddEvent: Failed to read/get option "count".
E6552144	AddEvent: Failed to write/set option "count".
E6552151	AddEvent: Option "recurstr" requires a value
E6552152	AddEvent: Option "recurstr" has invalid value
E6552153	AddEvent: Failed to read/get option "recurstr".
E6552154	AddEvent: Failed to write/set option "recurstr".
E6552161	AddEvent: An optional option is required because another optional option has been specified!
E6552250	AddEvent failed!
E6552401	ListEvents: Option "get" is missing.
E6552402	ListEvents: Option "get" requires a value
E6552403	ListEvents: Option "get" has invalid value
E6552404	ListEvents: Failed to read/get option "get".
E6552405	ListEvents: Failed to write/set option "get".
E6552411	ListEvents: Option "type" requires a value
E6552412	ListEvents: Option "type" has invalid value
E6552413	ListEvents: Failed to read/get option "type".
E6552414	ListEvents: Failed to write/set option "type".
E6552421	ListEvents: Option "start" requires a value
E6552422	ListEvents: Option "start" has invalid value
E6552423	ListEvents: Failed to read/get option "start".
E6552424	ListEvents: Failed to write/set option "start".
E6552431	ListEvents: Option "end" requires a value
E6552432	ListEvents: Option "end" has invalid value

Error Code	Error Message
E6552433	ListEvents: Failed to read/get option "end".
E6552434	ListEvents: Failed to write/set option "end".
E6552435	ListEvents: End date/time must be after start date/time.
E6552441	ListEvents: Option "filter" requires a value
E6552442	ListEvents: Option "filter" has invalid value
E6552443	ListEvents: Failed to read/get option "filter".
E6552444	ListEvents: Failed to write/set option "filter".
E6552491	ListEvents failed!
E6552801	DelEvent: Option "del" is missing.
E6552802	DelEvent: Option "del" requires a value
E6552803	DelEvent: Option "del" has invalid value
E6552804	DelEvent: Failed to read/get option "del".
E6552805	DelEvent: Failed to write/set option "del".
E6552811	DelEvent: Option "id" is missing.
E6552812	DelEvent: Option "id" requires a value
E6552813	DelEvent: Option "id" has invalid value
E6552814	DelEvent: Failed to read/get option "id".
E6552815	DelEvent: Failed to write/set option "id".
E6552821	DelEvent: Failed to read/get option "all".
E6552822	DelEvent: Failed to write/set option "all".
E6552881	DelEvent failed!
E6553201	ChangeEvent: Option "change" is missing.
E6553202	ChangeEvent: Option "change" requires a value
E6553203	ChangeEvent: Option "change" has invalid value
E6553204	ChangeEvent: Failed to read/get option "change".
E6553205	ChangeEvent: Failed to write/set option "change".
E6553211	ChangeEvent: Option "id" is missing.
E6553212	ChangeEvent: Option "id" requires a value
E6553213	ChangeEvent: Option "id" has invalid value
E6553214	ChangeEvent: Failed to read/get option "id".
E6553215	ChangeEvent: Failed to write/set option "id".

Error Code	Error Message
E6553221	ChangeEvent: Option "desc" requires a value
E6553222	ChangeEvent: Option "desc" has invalid value
E6553223	ChangeEvent: Failed to read/get option "desc".
E6553224	ChangeEvent: Failed to write/set option "desc".
E6553225	ChangeEvent: Option "desc" cannot be changed on an instance of a recurring event.
E6553231	ChangeEvent: Option "throttle" requires a value
E6553232	ChangeEvent: Option "throttle" has invalid value
E6553233	ChangeEvent: Failed to read/get option "throttle".
E6553234	ChangeEvent: Failed to write/set option "throttle".
E6553241	ChangeEvent: Option "service" requires a value
E6553242	ChangeEvent: Option "service" has invalid value
E6553243	ChangeEvent: Failed to read/get option "service".
E6553244	ChangeEvent: Failed to write/set option "service".
E6553251	ChangeEvent: Option "start" requires a value
E6553252	ChangeEvent: Option "start" has invalid value
E6553253	ChangeEvent: Failed to read/get option "start".
E6553254	ChangeEvent: Failed to write/set option "start".
E6553255	ChangeEvent: Start time cannot be in the past.
E6553261	ChangeEvent: Option "end" requires a value
E6553262	ChangeEvent: Option "end" has invalid value
E6553263	ChangeEvent: Failed to read/get option "end".
E6553264	ChangeEvent: Failed to write/set option "end".
E6553265	ChangeEvent: End date/time must be after start date/time.
E6553271	ChangeEvent: Failed to read/get option "none".
E6553272	ChangeEvent: Failed to write/set option "none".
E6553275	ChangeEvent: Failed to read/get option "daily".
E6553276	ChangeEvent: Failed to write/set option "daily".
E6553281	ChangeEvent: Option "weekly" requires a value
E6553282	ChangeEvent: Option "weekly" has invalid value
E6553283	ChangeEvent: Failed to read/get option "weekly".
E6553284	ChangeEvent: Failed to write/set option "weekly".

Error Code	Error Message
E6553291	ChangeEvent: Failed to read/get option "monthly".
E6553292	ChangeEvent: Failed to write/set option "monthly".
E6553301	ChangeEvent: Option "monthday" requires a value
E6553302	ChangeEvent: Option "monthday" has invalid value
E6553303	ChangeEvent: Failed to read/get option "monthday".
E6553304	ChangeEvent: Failed to write/set option "monthday".
E6553311	ChangeEvent: Failed to read/get option "yearly".
E6553312	ChangeEvent: Failed to write/set option "yearly".
E6553321	ChangeEvent: Option "yearday" requires a value
E6553322	ChangeEvent: Option "yearday" has invalid value
E6553323	ChangeEvent: Failed to read/get option "yearday".
E6553324	ChangeEvent: Failed to write/set option "yearday".
E6553331	ChangeEvent: Option "interval" requires a value
E6553332	ChangeEvent: Option "interval" has invalid value
E6553333	ChangeEvent: Failed to read/get option "interval".
E6553334	ChangeEvent: Failed to write/set option "interval".
E6553341	ChangeEvent: Option "until" requires a value
E6553342	ChangeEvent: Option "until" has invalid value
E6553343	ChangeEvent: Failed to read/get option "until".
E6553344	ChangeEvent: Failed to write/set option "until".
E6553351	ChangeEvent: Option "count" requires a value
E6553352	ChangeEvent: Option "count" has invalid value
E6553353	ChangeEvent: Failed to read/get option "count".
E6553354	ChangeEvent: Failed to write/set option "count".
E6553355	ChangeEvent: Until date/time must be after start date/time.
E6553356	ChangeEvent: Until date/time must be after end date/time.
E6553361	ChangeEvent: Option "recurstr" requires a value
E6553362	ChangeEvent: Option "recurstr" has invalid value
E6553363	ChangeEvent: Failed to read/get option "recurstr".
E6553364	ChangeEvent: Failed to write/set option "recurstr".
E6553371	ChangeEvent: An optional option is required because another optional option has been specified!

Error Code	Error Message
E6553373	ChangeEvent: Option "throttle" is required because another optional option is specified!
E6553375	ChangeEvent: Option "service" is required because another optional option has been specified!
E6553381	ChangeEvent: Failed to read/get option "all".
E6553382	ChangeEvent: Failed to write/set option "all".
E6553411	ChangeEvent failed!
E6553601	GetEvent: Option "get" is missing.
E6553602	GetEvent: Option "get" requires a value
E6553603	GetEvent: Option "get" has invalid value
E6553604	GetEvent: Failed to read/get option "get".
E6553605	GetEvent: Failed to write/set option "get".
E6553611	GetEvent: Option "id" is missing.
E6553612	GetEvent: Option "id" requires a value
E6553613	GetEvent: Option "id" has invalid value
E6553614	GetEvent: Failed to read/get option "id".
E6553615	GetEvent: Failed to write/set option "id".
E6553661	GetEvent failed!
E6554001	GetEventtypes: Option "get" is missing.
E6554002	GetEventtypes: Option "get" requires a value
E6554003	GetEventtypes: Option "get" has invalid value
E6554004	GetEventtypes: Failed to read/get option "get".
E6554005	GetEventtypes: Failed to write/set option "get".
E6554051	GetEventtypes failed!
E6590999	Authentication failed!
E6591001	Attempt to create the event failed: invalid arguments.
E6591002	Attempt to create the start action failed: invalid arguments.
E6591003	Attempt to create the end action failed: invalid arguments.
E6591004	Failed to open events: event instance does not exist.
E6591005	Failed to open events: invalid arguments.
E6591006	Failed to open events: event does not exist.
E6591007	Failed to open events: invalid id.

Error Code	Error Message
E6591008	Failed to get event list: invalid arguments.
E6591009	Failed to delete events: event does not exist.
E6591010	Failed to delete events: invalid id.
E6591011	Failed to update event: invalid argument.
E6591100	Failed to save event ID
E6591101	Failed to save event instance ID
E6591102	Failed to save event name
E6591103	Failed to save event type
E6591104	Failed to save the action scheduled to run at start of event
E6591105	Failed to save event action start parameter
E6591106	Failed to save one shot start time.
E6591108	Failed to save instance start time.
E6591109	Failed to save recurrence start time and info.
E6591110	Failed to save the action scheduled to run at end of event
E6591111	Failed to save event action end parameter
E6591112	Failed to save end time to database
E6591113	Failed to save recurrence info to database
E6591200	Failed to change event ID
E6591201	Failed to change event instance ID
E6591202	Failed to change event name
E6591203	Failed to change event type
E6591204	Failed to change the action scheduled to run at start of event
E6591205	Failed to change event action start parameter
E6591206	Failed to change one shot start time.
E6591208	Failed to change instance start time.
E6591209	Failed to change recurrence start time and info.
E6591210	Failed to change the action scheduled to run at end of event
E6591211	Failed to change event action end parameter
E6591212	Failed to change end time in database
E6591213	Failed to change recurrence info to database
E6591500	The throttle bandwidth value is out of range.

Error Code	Error Message
E6591501	Event ID format is invalid
E6591502	Event ID contains invalid characters
E6591503	The first character of event ID is invalid.
E6591504	The last character of event ID is invalid.
E6591505	Attempt to change an event instance to a non-recurring is not allowed.
E6591506	Attempt to change recurrence information on an event instance is not allowed.
E6591507	The throttle bandwidth requires either an 'M' or a 'K' to be specified with the value.
E6591999	Validation failed!
E6592001	Could not create the event, create event failed.
E6592002	Could not create the event, start action failed.
E6592003	Could not create the event, end action failed.
E6592004	Could not create the event, empty arguments passed.
E6592005	Could not create the event, set attributes failed.
E6592006	Could not create the event, update failed.
E6592007	Could not change the event, update failed.
E6592008	Could not read the event, get attributes failed.
E6592009	Could not open the event.
E6592010	Could not open the event instance.
E6592011	Failed to get event list.
E6592012	Failed to read event info from database!
E6592013	Could not delete the event.
E6592014	Could not change the event, set attributes failed.
E6592015	Could not change the event, set action attributes failed.
E6592100	Failed to read event ID
E6592101	Failed to read event instance ID
E6592102	Failed to read event name
E6592103	Failed to read event type
E6592104	Failed to read the action scheduled to run at start of event
E6592105	Failed to read event action start parameter

Error Code	Error Message
E6592106	Failed to read the one shot start time.
E6592107	Failed to read the instance start time.
E6592108	Failed to read start time from database
E6592109	Failed to read the action scheduled to run at end of event
E6592110	Failed to read event action end parameter
E6592111	Failed to read end time from database
E6592112	Failed to read recurrence info from database
E6592113	Failed to read event is instance parameter
E6592114	Failed to read instance is exception parameter
E6592115	Failed to read event has exceptions parameter
E6592999	Invalid values!
E6593001	Event ID is missing
E6593002	The ID specified was not found associated with an event.
E6593003	The Event specified was not found.
E6593999	Id does not exist!
E6594001	Could not create the event, update with duplicate value.
E6594002	Could not change the event, update with duplicate value.
E6594999	Defined value already exists for another event!
E6595001	Could not create the event, database full.
E6595002	Could not change the event, database full.
E6595999	There is no more room in the database for this event.
E6596999	System timed out while waiting.
E7000001	Email Home feature not supported!
E7000002	Email address entered is not valid.
E7000003	HostName or IP address entered is not valid.
E7000004	Retrieval of email recipient list failed.
E7000005	Duplicate email recipient entry found.
E7000006	Email server not configured.
E7000007	Email recipient name doesn't exist.
E7000008	Failed to get email server details.
E7000009	Failed to get email home recipients list.

Error Code	Error Message
E700010	No email home recipients are configured.
E7000401	AddEmailrecipient: Option "add" is missing.
E7000402	AddEmailrecipient: Option "add" requires a value
E7000403	AddEmailrecipient: Option "add" has invalid value
E7000404	AddEmailrecipient: Failed to read/get option "add".
E7000405	AddEmailrecipient: Failed to write/set option "add".
E7000411	AddEmailrecipient: Option "name" is missing.
E7000412	AddEmailrecipient: Option "name" requires a value
E7000413	AddEmailrecipient: Option "name" has invalid value
E7000414	AddEmailrecipient: Failed to read/get option "name".
E7000415	AddEmailrecipient: Failed to write/set option "name".
E7000416	AddEmailrecipient: Value of option "name" is too long
E7000421	AddEmailrecipient: Option "emailaddr" is missing.
E7000422	AddEmailrecipient: Option "emailaddr" requires a value
E7000423	AddEmailrecipient: Option "emailaddr" has invalid value
E7000424	AddEmailrecipient: Failed to read/get option "emailaddr".
E7000425	AddEmailrecipient: Failed to write/set option "emailaddr".
E7000426	AddEmailrecipient: Value of option "emailaddr" is too long
E7000431	AddEmailrecipient: Option "type" is missing.
E7000432	AddEmailrecipient: Option "type" requires a value
E7000433	AddEmailrecipient: Option "type" has invalid value
E7000434	AddEmailrecipient: Failed to read/get option "type".
E7000435	AddEmailrecipient: Failed to write/set option "type".
E7000441	AddEmailrecipient: Option "disable" is missing.
E7000442	AddEmailrecipient: Failed to read/get option "disable".
E7000443	AddEmailrecipient: Failed to write/set option "disable".
E7000461	AddEmailrecipient failed!
E7000801	EditEmailrecipient: Option "edit" is missing.
E7000802	EditEmailrecipient: Option "edit" requires a value
E7000803	EditEmailrecipient: Option "edit" has invalid value
E7000804	EditEmailrecipient: Failed to read/get option "edit".

Error Code	Error Message
E7000805	EditEmailrecipient: Failed to write/set option "edit".
E7000811	EditEmailrecipient: Option "name" is missing.
E7000812	EditEmailrecipient: Option "name" requires a value
E7000813	EditEmailrecipient: Option "name" has invalid value
E7000814	EditEmailrecipient: Failed to read/get option "name".
E7000815	EditEmailrecipient: Failed to write/set option "name".
E7000816	EditEmailrecipient: Value of option "name" is too long
E7000821	EditEmailrecipient: Option "emailaddr" is missing.
E7000822	EditEmailrecipient: Option "emailaddr" requires a value
E7000823	EditEmailrecipient: Option "emailaddr" has invalid value
E7000824	EditEmailrecipient: Failed to read/get option "emailaddr".
E7000825	EditEmailrecipient: Failed to write/set option "emailaddr".
E7000826	EditEmailrecipient: Value of option "emailaddr" is too long
E7000831	EditEmailrecipient: Option "type" is missing.
E7000832	EditEmailrecipient: Option "type" requires a value
E7000833	EditEmailrecipient: Option "type" has invalid value
E7000834	EditEmailrecipient: Failed to read/get option "type".
E7000835	EditEmailrecipient: Failed to write/set option "type".
E7000841	EditEmailrecipient: Option "disable" is missing.
E7000842	EditEmailrecipient: Failed to read/get option "disable".
E7000843	EditEmailrecipient: Failed to write/set option "disable".
E7000844	EditEmailrecipient: No email recipient exists with the given name.
E7000861	EditEmailrecipient failed!
E7001201	DelEmailrecipient: Option "del" is missing.
E7001202	DelEmailrecipient: Option "del" requires a value
E7001203	DelEmailrecipient: Option "del" has invalid value
E7001204	DelEmailrecipient: Failed to read/get option "del".
E7001205	DelEmailrecipient: Failed to write/set option "del".
E7001211	DelEmailrecipient: Option "name" is missing.
E7001212	DelEmailrecipient: Option "name" requires a value
E7001213	DelEmailrecipient: Option "name" has invalid value

Error Code	Error Message
E7001214	DelEmailrecipient: Failed to read/get option "name".
E7001215	DelEmailrecipient: Failed to write/set option "name".
E7001231	DelEmailrecipient failed!
E7001601	DeleteallEmailrecipient: Option "deleteall" is missing.
E7001602	DeleteallEmailrecipient: Option "deleteall" requires a value
E7001603	DeleteallEmailrecipient: Option "deleteall" has invalid value
E7001604	DeleteallEmailrecipient: Failed to read/get option "deleteall".
E7001605	DeleteallEmailrecipient: Failed to write/set option "deleteall".
E7001621	DeleteallEmailrecipient failed!
E7002001	ListEmailrecipient: Option "list" is missing.
E7002002	ListEmailrecipient: Option "list" requires a value
E7002003	ListEmailrecipient: Option "list" has invalid value
E7002004	ListEmailrecipient: Failed to read/get option "list".
E7002005	ListEmailrecipient: Failed to write/set option "list".
E7002011	ListEmailrecipient: Option "name" is missing.
E7002012	ListEmailrecipient: Option "name" requires a value
E7002013	ListEmailrecipient: Option "name" has invalid value
E7002014	ListEmailrecipient: Failed to read/get option "name".
E7002015	ListEmailrecipient: Failed to write/set option "name".
E7002021	ListEmailrecipient failed!
E7002401	SetEmailserver: Option "set" is missing.
E7002402	SetEmailserver: Option "set" requires a value
E7002403	SetEmailserver: Option "set" has invalid value
E7002404	SetEmailserver: Failed to read/get option "set".
E7002405	SetEmailserver: Failed to write/set option "set".
E7002411	SetEmailserver: Option "hostname" is missing.
E7002412	SetEmailserver: Option "hostname" requires a value
E7002413	SetEmailserver: Option "hostname" has invalid value
E7002414	SetEmailserver: Failed to read/get option "hostname".
E7002415	SetEmailserver: Failed to write/set option "hostname".
E7002416	SetEmailserver: Value of option "hostname" is too long

Error Code	Error Message
E7002421	SetEmailserver: Option "emailaddr" is missing.
E7002422	SetEmailserver: Option "emailaddr" requires a value
E7002423	SetEmailserver: Option "emailaddr" has invalid value
E7002424	SetEmailserver: Failed to read/get option "emailaddr".
E7002425	SetEmailserver: Failed to write/set option "emailaddr".
E7002426	SetEmailserver: Value of option "emailaddr" is too long
E7002441	SetEmailserver failed!
E7002801	GetEmailserver: Option "get" is missing.
E7002802	GetEmailserver: Option "get" requires a value
E7002803	GetEmailserver: Option "get" has invalid value
E7002804	GetEmailserver: Failed to read/get option "get".
E7002805	GetEmailserver: Failed to write/set option "get".
E7002821	GetEmailserver failed!
E7003201	DelEmailserver: Option "del" is missing.
E7003202	DelEmailserver: Option "del" requires a value
E7003203	DelEmailserver: Option "del" has invalid value
E7003204	DelEmailserver: Failed to read/get option "del".
E7003205	DelEmailserver: Failed to write/set option "del".
E7003221	DelEmailserver: Failed to delete email server.
E7003601	SendTestemail: Option "send" is missing.
E7003602	SendTestemail: Option "send" requires a value
E7003603	SendTestemail: Option "send" has invalid value
E7003604	SendTestemail: Failed to read/get option "send".
E7003605	SendTestemail: Failed to write/set option "send".
E7003611	SendTestemail: Option "name" is missing.
E7003612	SendTestemail: Option "name" requires a value
E7003613	SendTestemail: Option "name" has invalid value
E7003614	SendTestemail: Failed to read/get option "name".
E7003615	SendTestemail: Failed to write/set option "name".
E7003621	SendTestemail: Option "emailaddr" is missing.
E7003622	SendTestemail: Option "emailaddr" requires a value

Error Code	Error Message
E7003623	SendTestemail: Option "emailaddr" has invalid value
E7003624	SendTestemail: Failed to read/get option "emailaddr".
E7003625	SendTestemail: Failed to write/set option "emailaddr".
E7003631	SendTestemail: Option "type" is missing.
E7003632	SendTestemail: Option "type" requires a value
E7003633	SendTestemail: Option "type" has invalid value
E7003634	SendTestemail: Failed to read/get option "type".
E7003635	SendTestemail: Failed to write/set option "type".
E7003641	SendTestemail: Option "disable" is missing.
E7003642	SendTestemail: Failed to read/get option "disable".
E7003643	SendTestemail: Failed to write/set option "disable".
E7003661	SendTestemail failed!
E7004001	SendStatusondemand: Option "send" is missing.
E7004002	SendStatusondemand: Option "send" requires a value
E7004003	SendStatusondemand: Option "send" has invalid value
E7004004	SendStatusondemand: Failed to read/get option "send".
E7004005	SendStatusondemand: Failed to write/set option "send".
E7004011	SendStatusondemand: Option "emailaddr" is missing.
E7004012	SendStatusondemand: Option "emailaddr" requires a value
E7004013	SendStatusondemand: Option "emailaddr" has invalid value
E7004014	SendStatusondemand: Failed to read/get option "emailaddr".
E7004015	SendStatusondemand: Failed to write/set option "emailaddr".
E7004016	SendStatusondemand: Value of option "emailaddr" is too long
E7004031	SendStatusondemand failed!
E7004401	SendConfigondemand: Option "send" is missing.
E7004402	SendConfigondemand: Option "send" requires a value
E7004403	SendConfigondemand: Option "send" has invalid value
E7004404	SendConfigondemand: Failed to read/get option "send".
E7004405	SendConfigondemand: Failed to write/set option "send".
E7004411	SendConfigondemand: Option "emailaddr" is missing.
E7004412	SendConfigondemand: Option "emailaddr" requires a value

Error Code	Error Message
E7004413	SendConfigondemand: Option "emailaddr" has invalid value
E7004414	SendConfigondemand: Failed to read/get option "emailaddr".
E7004415	SendConfigondemand: Failed to write/set option "emailaddr".
E7004416	SendConfigondemand: Value of option "emailaddr" is too long
E7004431	SendConfigondemand failed!
E7004801	AddEmailhome: Option "add" is missing.
E7004802	AddEmailhome: Option "add" requires a value
E7004803	AddEmailhome: Option "add" has invalid value
E7004804	AddEmailhome: Failed to read/get option "add".
E7004805	AddEmailhome: Failed to write/set option "add".
E7004811	AddEmailhome: Option "emailaddr" is missing.
E7004812	AddEmailhome: Option "emailaddr" requires a value
E7004813	AddEmailhome: Option "emailaddr" has invalid value
E7004814	AddEmailhome: Failed to read/get option "emailaddr"
E7004815	AddEmailhome: Failed to write/set option "emailaddr".
E7004816	AddEmailhome: Exceeded the maximum number of email home recipients.
E7004817	AddEmailhome: Emailhome recipient already exist!!
E7004818	AddEmailhome: Value of option "emailaddr" is too long
E7004821	AddEmailhome failed!
E7005201	DeleteallEmailhome: Option "deleteall" is missing.
E7005202	DeleteallEmailhome: Option "deleteall" requires a value
E7005203	DeleteallEmailhome: Option "deleteall" has invalid value
E7005204	DeleteallEmailhome: Failed to read/get option "deleteall".
E7005205	DeleteallEmailhome: Failed to write/set option "deleteall".
E7005221	DeleteallEmailhome failed!
E7005601	GetEmailhome: Option "get" is missing.
E7005602	GetEmailhome: Option "get" requires a value
E7005603	GetEmailhome: Option "get" has invalid value
E7005604	GetEmailhome: Failed to read/get option "get".
E7005605	GetEmailhome: Failed to write/set option "get".

Error Code	Error Message
E7005621	GetEmailhome failed!
E7006001	SetEmailhome: Option "set" is missing.
E7006002	SetEmailhome: Option "set" requires a value
E7006003	SetEmailhome: Option "set" has invalid value
E7006004	SetEmailhome: Failed to read/get option "set".
E7006005	SetEmailhome: Failed to write/set option "set".
E7006011	SetEmailhome: Option "disable" is missing.
E7006012	SetEmailhome: Failed to read/get option "disable".
E7006013	SetEmailhome: Failed to write/set option "disable".
E7006021	SetEmailhome: Option "weekly" is missing.
E7006022	SetEmailhome: Option "weekly" requires a value
E7006023	SetEmailhome: Option "weekly" has invalid value
E7006024	SetEmailhome: Failed to read/get option "weekly".
E7006025	SetEmailhome: Failed to write/set option "weekly".
E7006031	SetEmailhome: Option "hour" is missing.
E7006032	SetEmailhome: Option "hour" requires a value
E7006033	SetEmailhome: Option "hour" has invalid value
E7006034	SetEmailhome: Failed to read/get option "hour".
E7006035	SetEmailhome: Failed to write/set option "hour".
E7006051	SetEmailhome failed!
E7006401	DelEmailhome: Option "del" is missing.
E7006402	DelEmailhome: Option "del" requires a value
E7006403	DelEmailhome: Option "del" has invalid value
E7006404	DelEmailhome: Failed to read/get option "del".
E7006405	DelEmailhome: Failed to write/set option "del".
E7006411	DelEmailhome: Option "emailaddr" is missing.
E7006412	DelEmailhome: Option "emailaddr" requires a value
E7006413	DelEmailhome: Option "emailaddr" has invalid value
E7006414	DelEmailhome: Failed to read/get option "emailaddr".
E7006415	DelEmailhome: Failed to write/set option "emailaddr".
E7006416	DelEmailhome: Email home recipient doesn't exist.

Error Code	Error Message
E7006431	DelEmailhome failed!
E7050401	GetDatetime: Option "get" is missing.
E7050402	GetDatetime: Option "get" requires a value
E7050403	GetDatetime: Option "get" has invalid value
E7050404	GetDatetime: Failed to read/get option "get".
E7050405	GetDatetime: Failed to write/set option "get".
E7050406	GetDatetime: Date and time of the system is not set.
E7050421	GetDatetime failed!
E7050801	SetDatetime: Option "set" is missing.
E7050802	SetDatetime: Option "set" requires a value
E7050803	SetDatetime: Option "set" has invalid value
E7050804	SetDatetime: Failed to read/get option "set".
E7050805	SetDatetime: Failed to write/set option "set".
E7050810	SetDatetime: Specifying at least one option is mandatory.
E7050811	SetDatetime: Option "ntpserver" is required because another optional option is specified!
E7050812	SetDatetime: Option "ntpserver" requires a value
E7050813	SetDatetime: Option "ntpserver" has invalid value
E7050814	SetDatetime: Failed to read/get option "ntpserver".
E7050815	SetDatetime: Failed to write/set option "ntpserver".
E7050816	SetDatetime: NTP server is not specified.
E7050817	SetDatetime: Failed to set NTP server name.
E7050818	SetDatetime: Failed to enable NTP server.
E7050819	SetDatetime: Failed to disable NTP server.
E7050821	SetDatetime: Option "date" is required because another optional option is specified!
E7050822	SetDatetime: Option "date" requires a value
E7050823	SetDatetime: Option "date" has invalid value
E7050824	SetDatetime: Failed to read/get option "date".
E7050825	SetDatetime: Failed to write/set option "date".
E7050831	SetDatetime: Option "time" requires a value
E7050832	SetDatetime: Option "time" has invalid value

Error Code	Error Message
E7050833	SetDatetime: Failed to read/get option "time".
E7050834	SetDatetime: Failed to write/set option "time".
E7050835	SetDatetime: Specifying both "date" and "time" options is required.
E7050841	SetDatetime: Option "timeformat" requires a value
E7050842	SetDatetime: Option "timeformat" has invalid value
E7050843	SetDatetime: Failed to read/get option "timeformat".
E7050844	SetDatetime: Failed to write/set option "timeformat".
E7050845	SetDatetime: Failed to set timeformat.
E7050851	SetDatetime: Option "timezoneid" requires a value
E7050852	SetDatetime: Option "timezoneid" has invalid value
E7050853	SetDatetime: Failed to read/get option "timezoneid".
E7050854	SetDatetime: Failed to write/set option "timezoneid".
E7050855	SetDatetime: Failed to set timezone.
E7050856	SetDatetime: No timezone exists with the given timezone ID.
E7050857	SetDatetime: Option "time" is required because another optional option is specified!
E7050871	SetDatetime: Option "time" is required because another option has been specified!
E7050872	SetDatetime: Option "date" is required because another option has been specified!
E7050881	SetDatetime failed!
E7051201	ListNtpserver: Option "list" is missing.
E7051202	ListNtpserver: Option "list" requires a value
E7051203	ListNtpserver: Option "list" has invalid value
E7051204	ListNtpserver: Failed to read/get option "list".
E7051205	ListNtpserver: Failed to write/set option "list".
E7051221	ListNtpserver failed!
E7051601	ListTimezone: Option "list" is missing.
E7051602	ListTimezone: Option "list" requires a value
E7051603	ListTimezone: Option "list" has invalid value
E7051604	ListTimezone: Failed to read/get option "list".
E7051605	ListTimezone: Failed to write/set option "list".

Error Code	Error Message
E7051611	ListTimezone: Option "matching" requires a value
E7051612	ListTimezone: Option "matching" has invalid value
E7051613	ListTimezone: Failed to read/get option "matching".
E7051614	ListTimezone: Failed to write/set option "matching".
E7051621	ListTimezone failed!
E8000001	Invalid SNMP name
E8000401	ListSnmptrapdest: Option "list" is missing.
E8000402	ListSnmptrapdest: Option "list" requires a value
E8000403	ListSnmptrapdest: Option "list" has invalid value
E8000404	ListSnmptrapdest: Failed to read/get option "list".
E8000405	ListSnmptrapdest: Failed to write/set option "list".
E8000406	ListSnmptrapdest: Failed to retrieve trap destination list.
E8000407	ListSnmptrapdest: No traps have been configured.
E8000421	ListSnmptrapdest failed!
E8000801	AddSnmptrapdest: Option "add" is missing.
E8000802	AddSnmptrapdest: Option "add" requires a value
E8000803	AddSnmptrapdest: Option "add" has invalid value
E8000804	AddSnmptrapdest: Failed to read/get option "add".
E8000805	AddSnmptrapdest: Failed to write/set option "add".
E8000811	AddSnmptrapdest: Option "ipaddress" is missing.
E8000812	AddSnmptrapdest: Option "ipaddress" requires a value
E8000813	AddSnmptrapdest: Option "ipaddress" has invalid value
E8000814	AddSnmptrapdest: Failed to read/get option "ipaddress".
E8000815	AddSnmptrapdest: Failed to write/set option "ipaddress".
E8000816	AddSnmptrapdest: Value of option "ipaddress" is too long
E8000821	AddSnmptrapdest: Option "name" is missing.
E8000822	AddSnmptrapdest: Option "name" requires a value
E8000823	AddSnmptrapdest: Option "name" has invalid value
E8000824	AddSnmptrapdest: Failed to read/get option "name".
E8000825	AddSnmptrapdest: Failed to write/set option "name".
E8000826	AddSnmptrapdest: Value of option "name" is too long

Error Code	Error Message
E8000831	AddSnmptrapdest: Option "enable" is missing.
E8000832	AddSnmptrapdest: Option "enable" requires a value
E8000833	AddSnmptrapdest: Option "enable" has invalid value
E8000834	AddSnmptrapdest: Failed to read/get option "enable".
E8000835	AddSnmptrapdest: Failed to write/set option "enable".
E8000874	AddSnmptrapdest: Failed to validate IPAddress
E8000875	AddSnmptrapdest: Failed to validate trap name
E8000876	AddSnmptrapdest error retrieving list of configured trap destinations
E8000877	AddSnmptrapdest: Trap already exists with the given IPAddress
E8000878	AddSnmptrapdest: No trap destinations are configured".
E8000879	AddSnmptrapdest: Cannot configure more than 5 trap destinations.
E8000891	AddSnmptrapdest failed!
E8001201	EditSnmptrapdest: Option "edit" is missing.
E8001202	EditSnmptrapdest: Option "edit" requires a value
E8001203	EditSnmptrapdest: Option "edit" has invalid value
E8001204	EditSnmptrapdest: Failed to read/get option "edit".
E8001205	EditSnmptrapdest: Failed to write/set option "edit".
E8001211	EditSnmptrapdest: Option "ipaddress" is missing.
E8001212	EditSnmptrapdest: Option "ipaddress" requires a value
E8001213	EditSnmptrapdest: Option "ipaddress" has invalid value
E8001214	EditSnmptrapdest: Failed to read/get option "ipaddress".
E8001215	EditSnmptrapdest: Failed to write/set option "ipaddress".
E8001216	EditSnmptrapdest: Value of option "ipaddress" is too long
E8001221	EditSnmptrapdest: Option "name" is missing.
E8001222	EditSnmptrapdest: Option "name" requires a value
E8001223	EditSnmptrapdest: Option "name" has invalid value
E8001224	EditSnmptrapdest: Failed to read/get option "name".
E8001225	EditSnmptrapdest: Failed to write/set option "name".
E8001226	EditSnmptrapdest: Value of option "name" is too long

Error Code	Error Message
E8001231	EditSnmpttrapdest: Option "enable" is missing.
E8001232	EditSnmpttrapdest: Option "enable" requires a value
E8001233	EditSnmpttrapdest: Option "enable" has invalid value
E8001234	EditSnmpttrapdest: Failed to read/get option "enable".
E8001235	EditSnmpttrapdest: Failed to write/set option "enable".
E8001274	EditSnmpttrapdest: Failed to validate trap name".
E8001275	EditSnmpttrapdest: Failed to validate IPAddress/Netmask combination".
E8001276	EditSnmpttrapdest: Failed to retrieve trap destinations".
E8001277	EditSnmpttrapdest: No trap destinations are configured".
E8001278	EditSnmpttrapdest: No trap destinations are configured with the given IPAddress".
E8001291	EditSnmpttrapdest failed!
E8001601	DelSnmpttrapdest: Option "del" is missing.
E8001602	DelSnmpttrapdest: Option "del" requires a value
E8001603	DelSnmpttrapdest: Option "del" has invalid value
E8001604	DelSnmpttrapdest: Failed to read/get option "del".
E8001605	DelSnmpttrapdest: Failed to write/set option "del".
E8001611	DelSnmpttrapdest: Option "ipaddress" is missing.
E8001612	DelSnmpttrapdest: Option "ipaddress" requires a value
E8001613	DelSnmpttrapdest: Option "ipaddress" has invalid value
E8001614	DelSnmpttrapdest: Failed to read/get option "ipaddress".
E8001615	DelSnmpttrapdest: Failed to write/set option "ipaddress".
E8001616	DelSnmpttrapdest: Failed to validate ipaddress.
E8001617	DelSnmpttrapdest: Value of option "ipaddress" is too long
E8001618	DelSnmpttrapdest: failed to retrieve list of trap destinations
E8001619	DelSnmpttrapdest: No trap destination exists with the given IP
E8001620	DelSnmpttrapdest: No trap destinations have been configured
E8001631	DelSnmpttrapdest failed!
E8002001	DeleteallSnmpttrapdest: Option "deleteall" is missing.
E8002002	DeleteallSnmpttrapdest: Option "deleteall" requires a value
E8002003	DeleteallSnmpttrapdest: Option "deleteall" has invalid value

Error Code	Error Message
E8002004	DeleteallSnmptrapdest: Failed to read/get option "deleteall".
E8002005	DeleteallSnmptrapdest: Failed to write/set option "deleteall".
E8002021	DeleteallSnmptrapdest failed!
E8002401	ListSnmpcom: Option "list" is missing.
E8002402	ListSnmpcom: Option "list" requires a value
E8002403	ListSnmpcom: Option "list" has invalid value
E8002404	ListSnmpcom: Failed to read/get option "list".
E8002405	ListSnmpcom: Failed to write/set option "list".
E8002406	ListSnmpcom: Failed to retrieve communities list.
E8002407	ListSnmpcom: No SNMP communities have been configured.
E8002421	ListSnmpcom failed!
E8002801	AddSnmpcom: Option "add" is missing.
E8002802	AddSnmpcom: Option "add" requires a value
E8002803	AddSnmpcom: Option "add" has invalid value
E8002804	AddSnmpcom: Failed to read/get option "add".
E8002805	AddSnmpcom: Failed to write/set option "add".
E8002811	AddSnmpcom: Option "name" is missing.
E8002812	AddSnmpcom: Option "name" requires a value
E8002813	AddSnmpcom: Option "name" has invalid value
E8002814	AddSnmpcom: Failed to read/get option "name".
E8002815	AddSnmpcom: Failed to write/set option "name".
E8002816	AddSnmpcom: Value of option "name" is too long
E8002821	AddSnmpcom: Option "ipaddress" is missing.
E8002822	AddSnmpcom: Option "ipaddress" requires a value
E8002823	AddSnmpcom: Option "ipaddress" has invalid value
E8002824	AddSnmpcom: Failed to read/get option "ipaddress".
E8002825	AddSnmpcom: Failed to write/set option "ipaddress".
E8002826	AddSnmpcom: Value of option "ipaddress" is too long
E8002831	AddSnmpcom: Option "netmask" is missing.
E8002832	AddSnmpcom: Option "netmask" requires a value
E8002833	AddSnmpcom: Option "netmask" has invalid value

Error Code	Error Message
E8002834	AddSnmpcom: Failed to read/get option "netmask".
E8002835	AddSnmpcom: Failed to write/set option "netmask".
E8002836	AddSnmpcom: Value of option "netmask" is too long
E8002841	AddSnmpcom: Option "accesstype" is missing.
E8002842	AddSnmpcom: Option "accesstype" requires a value
E8002843	AddSnmpcom: Option "accesstype" has invalid value
E8002844	AddSnmpcom: Failed to read/get option "accesstype".
E8002845	AddSnmpcom: Failed to write/set option "accesstype".
E8002851	AddSnmpcom: Option "disable" is missing.
E8002852	AddSnmpcom: Failed to read/get option "disable".
E8002853	AddSnmpcom: Failed to write/set option "disable".
E8002854	AddSnmpcom: Invalid IPaddress or Netmask.
E8002855	AddSnmpcom: Failed to validate community name.
E8002856	AddSnmpcom: Failed to retrieve configured communities either due to closed connection to the database or some general error".
E8002857	AddSnmpcom: Community already exists with the given name.
E8002858	AddSnmpcom: No SNMP Communities configured.
E8002871	AddSnmpcom failed!
E8003201	EditSnmpcom: Option "edit" is missing.
E8003202	EditSnmpcom: Option "edit" requires a value
E8003203	EditSnmpcom: Option "edit" has invalid value
E8003204	EditSnmpcom: Failed to read/get option "edit".
E8003205	EditSnmpcom: Failed to write/set option "edit".
E8003211	EditSnmpcom: Option "name" is missing.
E8003212	EditSnmpcom: Option "name" requires a value
E8003213	EditSnmpcom: Option "name" has invalid value
E8003214	EditSnmpcom: Failed to read/get option "name".
E8003215	EditSnmpcom: Failed to write/set option "name".
E8003216	EditSnmpcom: Value of option "name" is too long
E8003221	EditSnmpcom: Option "ipaddress" is missing.

Error Code	Error Message
E8003222	EditSnmpcom: Option "ipaddress" requires a value
E8003223	EditSnmpcom: Option "ipaddress" has invalid value
E8003224	EditSnmpcom: Failed to read/get option "ipaddress".
E8003225	EditSnmpcom: Failed to write/set option "ipaddress".
E8003226	EditSnmpcom: Value of option "ipaddress" is too long
E8003231	EditSnmpcom: Option "netmask" is missing.
E8003232	EditSnmpcom: Option "netmask" requires a value
E8003233	EditSnmpcom: Option "netmask" has invalid value
E8003234	EditSnmpcom: Failed to read/get option "netmask".
E8003235	EditSnmpcom: Failed to write/set option "netmask".
E8003236	EditSnmpcom: Value of option "netmask" is too long
E8003241	EditSnmpcom: Option "accesstype" is missing.
E8003242	EditSnmpcom: Option "accesstype" requires a value
E8003243	EditSnmpcom: Option "accesstype" has invalid value
E8003244	EditSnmpcom: Failed to read/get option "accesstype".
E8003245	EditSnmpcom: Failed to write/set option "accesstype".
E8003251	EditSnmpcom: Option "disable" is missing.
E8003252	EditSnmpcom: Failed to read/get option "disable".
E8003253	EditSnmpcom: Failed to write/set option "disable".
E8003254	EditSnmpcom: Failed to validate community name".
E8003255	EditSnmpcom: Failed to retrieve configured communities list either due to closed connection to the database or some general error.
E8003256	EditSnmpcom: No SNMP Communities configured.
E8003257	EditSnmpcom: Invalid IPAddress or Netmask.
E8003258	EditSnmpcom: No communitu exists with the given name.
E8003271	EditSnmpcom failed!
E8003601	DelSnmpcom: Option "del" is missing.
E8003602	DelSnmpcom: Option "del" requires a value
E8003603	DelSnmpcom: Option "del" has invalid value
E8003604	DelSnmpcom: Failed to read/get option "del".
E8003605	DelSnmpcom: Failed to write/set option "del".

Error Code	Error Message
E8003611	DelSnmpcom: Option "name" is missing.
E8003612	DelSnmpcom: Option "name" requires a value
E8003613	DelSnmpcom: Option "name" has invalid value
E8003614	DelSnmpcom: Failed to read/get option "name".
E8003615	DelSnmpcom: Failed to write/set option "name".
E8003616	DelSnmpcom: Value of option "name" is too long
E8003617	DelSnmpcom: community name invalid
E8003618	DelSnmpcom: failed to retrieve the configured communities
E8003619	DelSnmpcom: no community exists with the given name
E8003620	DelSnmpcom: no communities have been configured
E8003631	DelSnmpcom failed!
E8004001	DeleteallSnmpcom: Option "deleteall" is missing.
E8004002	DeleteallSnmpcom: Option "deleteall" requires a value
E8004003	DeleteallSnmpcom: Option "deleteall" has invalid value
E8004004	DeleteallSnmpcom: Failed to read/get option "deleteall".
E8004005	DeleteallSnmpcom: Failed to write/set option "deleteall".
E8004021	DeleteallSnmpcom failed!
E8004401	TestSnmptrap: Option "test" is missing.
E8004402	TestSnmptrap: Option "test" requires a value
E8004403	TestSnmptrap: Option "test" has invalid value
E8004404	TestSnmptrap: Failed to read/get option "test".
E8004405	TestSnmptrap: Failed to write/set option "test".
E8004411	TestSnmptrap: Option "trapip" is missing.
E8004412	TestSnmptrap: Option "trapip" requires a value
E8004413	TestSnmptrap: Option "trapip" has invalid value
E8004414	TestSnmptrap: Failed to read/get option "trapip"
E8004415	TestSnmptrap: Failed to write/set option "trapip".
E8004421	TestSnmptrap failed!
E8004422	TestSnmptrap failed to validate trap destination address!
E8004423	Number of trap destinations cannot exceed 5
E8050011	Unable to get the list of ifcfg files.

Error Code	Error Message
E8050012	Cannot determine if eth file belongs to a bond.
E8050013	An error occured setting the MTU to enable jumbo frames.
E8050014	Cannot write network config file to persist jumbo frame setting.
E8050015	Invalid network device specified.
E8050016	No matching network device exists.
E8050017	An error occured getting the MTU to get jumbo frame status.
E8050018	An error occured getting the gateway.
E8050019	An error occured getting the default gateway.
E8050020	An error occured getting the hostname.
E8050021	Confignetseg: Failed Processing options using getopt for confignetseg.sh
E8050022	Confignetseg: Too many arguments for QUERY.
E8050023	Confignetseg: Too many arguments for XML.
E8050024	Confignetseg: Hostname is missing.
E8050025	Confignetseg: Too many arguments RESTARTALL.
E8050026	Confignetseg: Too many arguments for STOPALL.
E8050027	Confignetseg: Too many arguments for STARTALL.
E8050028	Confignetseg: Too many arguments for DEFAULTS.
E8050029	Confignetseg: Gateway IP address is missing.
E8050030	Confignetseg: Segmented IP Addresses for Management, Data, and Replication are required.
E8050031	Confignetseg: Duplicate segmented IP Addresses for Management, Data, and Replication are not allowed.
E8050032	Confignetseg: Netmasks for the segmented IP Addresses for Management, Data, and Replication are required.
E8050033	Confignetseg: Default gateway is invalid.
E8050034	Confignetseg: For using segmented networking, the segmented IP Address's should be in different subnets.
E8050035	Confignetseg: ALL_1 BONDING with no SEGMENTATION requires a BONDIP, BIPNETMASK and ETH5IP, EIP5NETMASK.
E8050036	Confignetseg: ALL_1 BONDING with no SEGMENTATION requires a BIPNETMASK for BONDIP and EIP5NETMASK for ETHIP5.

Error Code	Error Message
E8050037	Confignetseg: ALL_1 BONDING with no SEGMENTATION requires a BONDIP, BIPNETMASK and ETH7IP, EIP7NETMASK.
E8050038	Confignetseg: ALL_1 BONDING with no SEGMENTATION requires a BIPNETMASK for BONDIP & EIP7NETMASK for ETHIP7.
E8050039	Confignetseg: ALL bonding requires a BONDIP and BIPNETMASK
E8050051	Networking: Option "hostname" is empty.
E8050052	Networking: Option "hostname" is too long.
E8050053	Networking: Option "hostname" is invalid.
E8050054	Networking: Option "hostname" has invalid first character.
E8050055	Networking: Option "hostname" can not begin with space.
E8050056	Networking: Option "hostname" can not end with space.
E8050057	Networking: Option "hostname" contain consequetive spaces.
E8050060	Networking: Network policy is invalid
E8050061	Networking: Network policy not supported
E8050062	Networking: Network policy address not found
E8050063	Networking: Failed to get network policy address
E8050064	Networking: still waiting for DHCP response
E8050070	Failed to get hostname!
E8050071	Hostname is not defined!
E8050072	Failed to get domainname!
E8050073	Domainname is not defined!
E8050074	CliListEthPorts: Failed to get name and speed for all ethernet ports!
E8050075	CliListEthPorts: Failed to get max number of bonds for this model!
E8050076	CliListEthPorts: Failed to get /opt/DXi/<MODEL>-Network.conf file!
E8050077	CliListEthPorts: Failed to get /sys/class/net/ethX/operstate file!
E8050078	CliListBonds: Failed to get bond masters for Ethernet port!
E8050079	CliListBonds: Failed to get bond owner for Ethernet port!
E8050080	CliListBonds: Failed to get /sys/class/net/bondX/operstate file!

Error Code	Error Message
E8050081	CliListBonds: Failed to get /sys/class/net/bondX/bonding/slaves file!
E8050082	CliListBonds: Failed to get /sys/class/net/bondX/bonding/mode file!
E8050083	CliListBonds: Failed to get bond IP info!
E8050084	CliListBonds: Sysapi_GetBondOwner not implemented yet!
E8050085	Sysapi_GetPortState: Failed to get port state!
E8050086	Sysapi_GetCarrierState: Failed to get carrier state!
E8050100	The netcfg script is not found!
E8050101	The netcfg script failed to generate the xml file!
E8050110	Netmask cannot be zero!
E8050111	Netmask is invalid, the rightmost bit must be zero!
E8050112	Netmask cannot contain non consecutive zero bits
E8050120	Network device name cannot be empty!
E8050121	Network device name is missing before comma!
E8050122	Network device name is missing after comma!
E8050123	Device name must start with an alphabetic label (valid format is <label><devno>[:<vifno>])
E8050130	Device name: device number is missing (valid format is <label><devno>[:<vifno>])
E8050131	Device name: device number is invalid
E8050132	Device name: device number is out of range
E8050133	Device name: device number has invalid trailing character!
E8050137	MTU frame size is out of range! Range is 1500 to 9000 bytes.
E8050140	Device name: virtual interface number is missing (valid format is <label><devno>[:<vifno>])
E8050141	Device name: virtual interface number is invalid
E8050142	Device name: virtual interface number is out of range!
E8050143	Device name: virtual interface number has invalid trailing character!
E8050150	Command cannot run because custom configuration is already in place!
E8050160	IP address cannot be empty!
E8050161	Max number of IP addresses exceeded!

Error Code	Error Message
E8050401	EnableJumbo: Option "enable" is missing.
E8050402	EnableJumbo: Option "enable" requires a value
E8050403	EnableJumbo: Option "enable" has invalid value
E8050404	EnableJumbo: Failed to read/get option "enable".
E8050405	EnableJumbo: Failed to write/set option "enable".
E8050411	EnableJumbo: Option "bond0" is required because another optional option is specified!
E8050412	EnableJumbo: Failed to read/get option "bond0".
E8050413	EnableJumbo: Failed to write/set option "bond0".
E8050421	EnableJumbo: Option "bond1" is required because another optional option is specified!
E8050422	EnableJumbo: Failed to read/get option "bond1".
E8050423	EnableJumbo: Failed to write/set option "bond1".
E8050431	EnableJumbo: Option "dev" requires a value
E8050432	EnableJumbo: Option "dev" has invalid value
E8050433	EnableJumbo: Failed to read/get option "dev".
E8050434	EnableJumbo: Failed to write/set option "dev".
E8050435	EnableJumbo: Option "dev" is missing.
E8050441	EnableJumbo: Option "sid" is missing.
E8050442	EnableJumbo: Option "sid" requires a value
E8050443	EnableJumbo: Option "sid" has invalid value
E8050444	EnableJumbo: Failed to read/get option "sid".
E8050445	EnableJumbo: Failed to write/set option "sid".
E8050501	EnableJumbo failed!
E8050502	EnableJumbo: Device specified not found.
E8050503	EnableJumbo: Unable to create information needed to enable jumbo frame.
E8050504	EnableJumbo: Jumbo frame already enabled.
E8050801	DisableJumbo: Option "disable" is missing.
E8050802	DisableJumbo: Option "disable" requires a value
E8050803	DisableJumbo: Option "disable" has invalid value
E8050804	DisableJumbo: Failed to read/get option "disable".

Error Code	Error Message
E8050805	DisableJumbo: Failed to write/set option "disable".
E8050811	DisableJumbo: Option "bond0" is required because another optional option is specified!
E8050812	DisableJumbo: Failed to read/get option "bond0".
E8050813	DisableJumbo: Failed to write/set option "bond0".
E8050814	DisableJumbo: Failed to write/set option "dev".
E8050821	DisableJumbo: Option "bond1" is required because another optional option is specified!
E8050822	DisableJumbo: Failed to read/get option "bond1".
E8050823	DisableJumbo: Failed to write/set option "bond1".
E8050831	DisableJumbo: Option "dev" requires a value
E8050832	DisableJumbo: Option "dev" has invalid value
E8050833	DisableJumbo: Failed to read/get option "dev".
E8050834	DisableJumbo: Option "dev" is missing.
E8050841	DisableJumbo: Option "sid" is missing.
E8050842	DisableJumbo: Option "sid" requires a value
E8050843	DisableJumbo: Option "sid" has invalid value
E8050844	DisableJumbo: Failed to read/get option "sid".
E8050845	DisableJumbo: Failed to write/set option "sid".
E8050901	DisableJumbo failed!
E8050902	DisableJumbo: Device specified not found.
E8050903	DisableJumbo: Unable to create information needed to enable jumbo frame.
E8050904	DisableJumbo: Failed to disable jumbo frame. Unable to change the MTU.
E8050905	DisableJumbo: Jumbo frame already disabled.
E8051201	GetstatusJumbo: Option "getstatus" is missing.
E8051202	GetstatusJumbo: Option "getstatus" requires a value
E8051203	GetstatusJumbo: Option "getstatus" has invalid value
E8051204	GetstatusJumbo: Failed to read/get option "getstatus".
E8051205	GetstatusJumbo: Failed to write/set option "getstatus".
E8051211	GetstatusJumbo: Option "dev" requires a value
E8051212	GetstatusJumbo: Option "dev" has invalid value

Error Code	Error Message
E8051213	GetstatusJumbo: Failed to read/get option "dev".
E8051214	GetstatusJumbo: Failed to write/set option "dev".
E8051215	GetstatusJumbo: Option "dev" is missing.
E8051221	GetstatusJumbo: Option "all" is missing.
E8051222	GetstatusJumbo: Failed to read/get option "all".
E8051223	GetstatusJumbo: Failed to write/set option "all".
E8051226	GetstatusJumbo: Option "sid" requires a value
E8051227	GetstatusJumbo: Option "sid" has invalid value
E8051228	GetstatusJumbo: Failed to read/get option "sid".
E8051229	GetstatusJumbo: Failed to write/set option "sid".
E8051251	GetstatusJumbo failed!
E8051252	Device specified not found.
E8051253	GetJumboFrame not implemented yet!
E8051254	SetJumboFrame not implemented yet!
E8051601	SetnetworkUnsegmented: Option "setnetwork" is missing.
E8051602	SetnetworkUnsegmented: Option "setnetwork" requires a value
E8051603	SetnetworkUnsegmented: Option "setnetwork" has invalid value
E8051604	SetnetworkUnsegmented: Failed to read/get option "setnetwork".
E8051605	SetnetworkUnsegmented: Failed to write/set option "setnetwork".
E8051611	SetnetworkUnsegmented: Option "ip" is missing.
E8051612	SetnetworkUnsegmented: Option "ip" requires a value
E8051613	SetnetworkUnsegmented: Option "ip" has invalid value
E8051614	SetnetworkUnsegmented: Failed to read/get option "ip".
E8051615	SetnetworkUnsegmented: Failed to write/set option "ip".
E8051621	SetnetworkUnsegmented: Option "netmask" is missing.
E8051622	SetnetworkUnsegmented: Option "netmask" requires a value
E8051623	SetnetworkUnsegmented: Option "netmask" has invalid value
E8051624	SetnetworkUnsegmented: Failed to read/get option "netmask".

Error Code	Error Message
E8051625	SetnetworkUnsegmented: Failed to write/set option "netmask".
E8051631	SetnetworkUnsegmented: Option "type" requires a value
E8051632	SetnetworkUnsegmented: Option "type" has invalid value
E8051633	SetnetworkUnsegmented: Failed to read/get option "type".
E8051634	SetnetworkUnsegmented: Failed to write/set option "type".
E8051641	SetnetworkUnsegmented: Option "bondalgo" requires a value
E8051642	SetnetworkUnsegmented: Option "bondalgo" has invalid value
E8051643	SetnetworkUnsegmented: Failed to read/get option "bondalgo".
E8051644	SetnetworkUnsegmented: Failed to write/set option "bondalgo".
E8051651	SetnetworkUnsegmented: Option "bond0algo" requires a value
E8051652	SetnetworkUnsegmented: Option "bond0algo" has invalid value
E8051653	SetnetworkUnsegmented: Failed to read/get option "bond0algo".
E8051654	SetnetworkUnsegmented: Failed to write/set option "bond0algo".
E8051661	SetnetworkUnsegmented: Option "bond1algo" requires a value
E8051662	SetnetworkUnsegmented: Option "bond1algo" has invalid value
E8051663	SetnetworkUnsegmented: Failed to read/get option "bond1algo".
E8051664	SetnetworkUnsegmented: Failed to write/set option "bond1algo".
E8051671	SetnetworkUnsegmented: Option "hostname" requires a value
E8051672	SetnetworkUnsegmented: Option "hostname" has invalid value
E8051673	SetnetworkUnsegmented: Failed to read/get option "hostname".
E8051674	SetnetworkUnsegmented: Failed to write/set option "hostname".

Error Code	Error Message
E8051681	SetnetworkUnsegmented: Option "vip" requires a value
E8051682	SetnetworkUnsegmented: Option "vip" has invalid value
E8051683	SetnetworkUnsegmented: Failed to read/get option "vip".
E8051684	SetnetworkUnsegmented: Failed to write/set option "vip".
E8051691	SetnetworkUnsegmented: Option "vipnetmask" requires a value
E8051692	SetnetworkUnsegmented: Option "vipnetmask" has invalid value
E8051693	SetnetworkUnsegmented: Failed to read/get option "vipnetmask".
E8051694	SetnetworkUnsegmented: Failed to write/set option "vipnetmask".
E8051701	SetnetworkUnsegmented: Option "defaultgateway" is missing.
E8051702	SetnetworkUnsegmented: Option "defaultgateway" requires a value
E8051703	SetnetworkUnsegmented: Option "defaultgateway" has invalid value
E8051704	SetnetworkUnsegmented: Failed to read/get option "defaultgateway".
E8051705	SetnetworkUnsegmented: Failed to write/set option "defaultgateway".
E8051711	SetnetworkUnsegmented: Option "dnsprimary" requires a value
E8051712	SetnetworkUnsegmented: Option "dnsprimary" has invalid value
E8051713	SetnetworkUnsegmented: Failed to read/get option "dnsprimary".
E8051714	SetnetworkUnsegmented: Failed to write/set option "dnsprimary".
E8051721	SetnetworkUnsegmented: Option "dnssecondary" requires a value
E8051722	SetnetworkUnsegmented: Option "dnssecondary" has invalid value
E8051723	SetnetworkUnsegmented: Failed to read/get option "dnssecondary".
E8051724	SetnetworkUnsegmented: Failed to write/set option "dnssecondary".

Error Code	Error Message
E8051731	SetnetworkUnsegmented: Option "dnstertiary" requires a value
E8051732	SetnetworkUnsegmented: Option "dnstertiary" has invalid value
E8051733	SetnetworkUnsegmented: Failed to read/get option "dnstertiary".
E8051734	SetnetworkUnsegmented: Failed to write/set option "dnstertiary".
E8051741	SetnetworkUnsegmented: Option "dnssearchpath" requires a value
E8051742	SetnetworkUnsegmented: Option "dnssearchpath" has invalid value
E8051743	SetnetworkUnsegmented: Failed to read/get option "dnssearchpath".
E8051744	SetnetworkUnsegmented: Failed to write/set option "dnssearchpath".
E8051751	SetnetworkUnsegmented: Option "vipnetmask" is required because another optional option has been specified!
E8051752	SetnetworkUnsegmented: Option "vip" is required because another optional option has been specified!
E8051761	SetnetworkUnsegmented failed!
E8051762	SetNetworkUnsegmented: Failed to open network configuration file.
E8051763	SetNetworkUnsegmented: Failed to get network segmentation config program seer variable.
E8051764	SetNetworkUnsegmented: Failed to get "Hostname" seer context.
E8051765	SetNetworkUnsegmented: Failed to get "BondPolicy" from network configuration file.
E8051766	SetNetworkUnsegmented: Failed to get "Bond0Algorithm" from network configuration file.
E8051767	SetNetworkUnsegmented: Failed to get "Bond1Algorithm" from network configuration file.
E8051768	SetNetworkUnsegmented: Failed to get "BondAlgorithm" from network configuration file.
E8051769	SetNetworkUnsegmented: Failed to get "BondIPAddress" seer context.
E8051770	SetNetworkUnsegmented: Failed to get "BondIPAddress" from network configuration file.

Error Code	Error Message
E8051771	SetNetworkUnsegmented: Failed to get "BondNetmask" seer context.
E8051772	SetNetworkUnsegmented: Failed to get "BondNetmask" from network configuration file.
E8051773	SetNetworkUnsegmented: Failed to get "BondVIPAddress" seer context.
E8051774	SetNetworkUnsegmented: Failed to get "BondVIPAddress" from network configuration file.
E8051775	SetNetworkUnsegmented: Failed to get "BondVIPNetmask" seer context.
E8051776	SetNetworkUnsegmented: Failed to get "BondVIPNetmask" from network configuration file.
E8051777	SetNetworkUnsegmented: Failed to get "DefaultGatewayIPAddress" seer context.
E8051778	SetNetworkUnsegmented: Failed to get "DefaultGatewayIPAddress" from network configuration file.
E8051779	SetNetworkUnsegmented: Failed to get "DNSDomainName" from network configuration file.
E8051780	SetNetworkUnsegmented: Failed to get "ReMessageSymlink" from global seer configuration.
E8051781	SetNetworkUnsegmented: Failed to get Httpd Conf File from global seer configuration.
E8051782	SetNetworkUnsegmented: Failed to get Update Httpd Conf Program from global seer configuration.
E8051783	SetNetworkUnsegmented: Failed to get "ReMessageWWWReplicationProgram" from global seer configuration.
E8051784	SetNetworkUnsegmented: The command update httpd conf program failed!
E8051785	SetNetworkUnsegmented: The command "re_message" for replication failed!
E8051786	SetNetworkUnsegmented: Failed to get "HostnameChangesFile" from global seer configuration.
E8051787	SetNetworkUnsegmented: Failed to open "HostnameChanges.conf" file.
E8051788	SetNetworkUnsegmented: Failed to get "Changes" seer context from HostnameChanges.conf file.
E8051789	SetNetworkUnsegmented: Failed to get node number from HostnameChanges.conf file.

Error Code	Error Message
E8051790	SetNetworkUnsegmented: Failed to update HostnameChanges.conf file.
E8051791	SetNetworkUnsegmented: Caught unknown exception!
E8051792	SetNetworkUnsegmented: Failed to get "Hostname" from network configuration file.
E8051793	SetNetworkUnsegmented: Failed to get old hostname from HostnameChanges.conf file.
E8051794	SetNetworkUnsegmented: Failed to rename http configuration file.
E8052001	SetnetworkSegmented: Option "setnetwork" is missing.
E8052002	SetnetworkSegmented: Option "setnetwork" requires a value
E8052003	SetnetworkSegmented: Option "setnetwork" has invalid value
E8052004	SetnetworkSegmented: Failed to read/get option "setnetwork".
E8052005	SetnetworkSegmented: Failed to write/set option "setnetwork".
E8052011	SetnetworkSegmented: Option "defaultgateway" is missing.
E8052012	SetnetworkSegmented: Option "defaultgateway" requires a value
E8052013	SetnetworkSegmented: Option "defaultgateway" has invalid value
E8052014	SetnetworkSegmented: Failed to read/get option "defaultgateway".
E8052015	SetnetworkSegmented: Failed to write/set option "defaultgateway".
E8052021	SetnetworkSegmented: Option "type" is missing.
E8052022	SetnetworkSegmented: Option "type" requires a value
E8052023	SetnetworkSegmented: Option "type" has invalid value
E8052024	SetnetworkSegmented: Failed to read/get option "type".
E8052025	SetnetworkSegmented: Failed to write/set option "type".
E8052031	SetnetworkSegmented: Option "segtype" requires a value
E8052032	SetnetworkSegmented: Option "segtype" has invalid value
E8052033	SetnetworkSegmented: Failed to read/get option "segtype".
E8052034	SetnetworkSegmented: Failed to write/set option "segtype".
E8052041	SetnetworkSegmented: Option "bondalگو" requires a value

Error Code	Error Message
E8052042	SetnetworkSegmented: Option "bondalgo" has invalid value
E8052043	SetnetworkSegmented: Failed to read/get option "bondalgo".
E8052044	SetnetworkSegmented: Failed to write/set option "bondalgo".
E8052051	SetnetworkSegmented: Option "bond0algo" requires a value
E8052052	SetnetworkSegmented: Option "bond0algo" has invalid value
E8052053	SetnetworkSegmented: Failed to read/get option "bond0algo".
E8052054	SetnetworkSegmented: Failed to write/set option "bond0algo".
E8052061	SetnetworkSegmented: Option "bond1algo" requires a value
E8052062	SetnetworkSegmented: Option "bond1algo" has invalid value
E8052063	SetnetworkSegmented: Failed to read/get option "bond1algo".
E8052064	SetnetworkSegmented: Failed to write/set option "bond1algo".
E8052071	SetnetworkSegmented: Option "hostname" requires a value
E8052072	SetnetworkSegmented: Option "hostname" has invalid value
E8052073	SetnetworkSegmented: Failed to read/get option "hostname".
E8052074	SetnetworkSegmented: Failed to write/set option "hostname".
E8052081	SetnetworkSegmented: Option "msip" requires a value
E8052082	SetnetworkSegmented: Option "msip" has invalid value
E8052083	SetnetworkSegmented: Failed to read/get option "msip".
E8052084	SetnetworkSegmented: Failed to write/set option "msip".
E8052085	SetnetworkSegmented: Option "msip" is missing.
E8052091	SetnetworkSegmented: Option "msnetmask" is missing.
E8052092	SetnetworkSegmented: Option "msnetmask" requires a value
E8052093	SetnetworkSegmented: Option "msnetmask" has invalid value
E8052094	SetnetworkSegmented: Failed to read/get option "msnetmask".
E8052095	SetnetworkSegmented: Failed to write/set option "msnetmask".
E8052101	SetnetworkSegmented: Option "msipc" requires a value
E8052102	SetnetworkSegmented: Option "msipc" has invalid value

Error Code	Error Message
E8052103	SetnetworkSegmented: Failed to read/get option "msipc".
E8052104	SetnetworkSegmented: Failed to write/set option "msipc".
E8052111	SetnetworkSegmented: Option "msipcnetmask" requires a value
E8052112	SetnetworkSegmented: Option "msipcnetmask" has invalid value
E8052113	SetnetworkSegmented: Failed to read/get option "msipcnetmask".
E8052114	SetnetworkSegmented: Failed to write/set option "msipcnetmask".
E8052121	SetnetworkSegmented: Option "msgateway" requires a value
E8052122	SetnetworkSegmented: Option "msgateway" has invalid value
E8052123	SetnetworkSegmented: Failed to read/get option "msgateway".
E8052124	SetnetworkSegmented: Failed to write/set option "msgateway".
E8052131	SetnetworkSegmented: Option "rsip" is missing.
E8052132	SetnetworkSegmented: Option "rsip" requires a value
E8052133	SetnetworkSegmented: Option "rsip" has invalid value
E8052134	SetnetworkSegmented: Failed to read/get option "rsip".
E8052135	SetnetworkSegmented: Failed to write/set option "rsip".
E8052141	SetnetworkSegmented: Option "rsnetmask" is missing.
E8052142	SetnetworkSegmented: Option "rsnetmask" requires a value
E8052143	SetnetworkSegmented: Option "rsnetmask" has invalid value
E8052144	SetnetworkSegmented: Failed to read/get option "rsnetmask".
E8052145	SetnetworkSegmented: Failed to write/set option "rsnetmask".
E8052151	SetnetworkSegmented: Option "rsgateway" requires a value
E8052152	SetnetworkSegmented: Option "rsgateway" has invalid value
E8052153	SetnetworkSegmented: Failed to read/get option "rsgateway".
E8052154	SetnetworkSegmented: Failed to write/set option "rsgateway".
E8052161	SetnetworkSegmented: Option "dsip" is missing.

Error Code	Error Message
E8052162	SetnetworkSegmented: Option "dsip" requires a value
E8052163	SetnetworkSegmented: Option "dsip" has invalid value
E8052164	SetnetworkSegmented: Failed to read/get option "dsip".
E8052165	SetnetworkSegmented: Failed to write/set option "dsip".
E8052171	SetnetworkSegmented: Option "dsnetmask" is missing.
E8052172	SetnetworkSegmented: Option "dsnetmask" requires a value
E8052173	SetnetworkSegmented: Option "dsnetmask" has invalid value
E8052174	SetnetworkSegmented: Failed to read/get option "dsnetmask".
E8052175	SetnetworkSegmented: Failed to write/set option "dsnetmask".
E8052181	SetnetworkSegmented: Option "dsgateway" requires a value
E8052182	SetnetworkSegmented: Option "dsgateway" has invalid value
E8052183	SetnetworkSegmented: Failed to read/get option "dsgateway".
E8052184	SetnetworkSegmented: Failed to write/set option "dsgateway".
E8052191	SetnetworkSegmented: Option "dnsprimary" requires a value
E8052192	SetnetworkSegmented: Option "dnsprimary" has invalid value
E8052193	SetnetworkSegmented: Failed to read/get option "dnsprimary".
E8052194	SetnetworkSegmented: Failed to write/set option "dnsprimary".
E8052201	SetnetworkSegmented: Option "dnssecondary" requires a value
E8052202	SetnetworkSegmented: Option "dnssecondary" has invalid value
E8052203	SetnetworkSegmented: Failed to read/get option "dnssecondary".
E8052204	SetnetworkSegmented: Failed to write/set option "dnssecondary".
E8052211	SetnetworkSegmented: Option "dnstertiary" requires a value
E8052212	SetnetworkSegmented: Option "dnstertiary" has invalid value
E8052213	SetnetworkSegmented: Failed to read/get option "dnstertiary".

Error Code	Error Message
E8052214	SetnetworkSegmented: Failed to write/set option "dnstertiary".
E8052221	SetnetworkSegmented: Option "dnssearchpath" requires a value
E8052222	SetnetworkSegmented: Option "dnssearchpath" has invalid value
E8052223	SetnetworkSegmented: Failed to read/get option "dnssearchpath".
E8052224	SetnetworkSegmented: Failed to write/set option "dnssearchpath".
E8052231	SetnetworkSegmented: Option "node" requires a value
E8052232	SetnetworkSegmented: Option "node" has invalid value
E8052233	SetnetworkSegmented: Failed to read/get option "node".
E8052234	SetnetworkSegmented: Failed to write/set option "node".
E8052251	SetnetworkSegmented failed!
E8052252	SetNetworkSegmented: Failed to open network configuration file.
E8052253	SetNetworkSegmented: Failed to get network segmentation configuration program seer variable.
E8052254	SetNetworkSegmented: Failed to get "Hostname" seer context.
E8052255	SetNetworkSegmented: Failed to get segment type from network configuration file.
E8052256	SetNetworkSegmented: Failed to get specified segment type option from configuration file.
E8052257	SetNetworkSegmented: Failed to get segment type options from configuration file.
E8052258	SetNetworkSegmented: Failed to get segment type options. Caught "SeerHasNoAnswer" exception!
E8052259	SetNetworkSegmented: Failed to get bond policy from network configuration file.
E8052260	SetNetworkSegmented: Failed to get bond0 algorithm from network configuration file.
E8052261	SetNetworkSegmented: Failed to get bond1 algorithm from network configuration file.
E8052262	SetNetworkSegmented: Failed to get bond algorithm from network configuration file.

Error Code	Error Message
E8052263	SetNetworkSegmented: Failed to get "ReplicationSegmentIPAddress" seer context.
E8052264	SetNetworkSegmented: Failed to get "ReplicationSegmentIPAddress" from network configuration file.
E8052265	SetNetworkSegmented: Failed to get "ReplicationSegmentNetworkMask" seer context.
E8052266	SetNetworkSegmented: Failed to get "ReplicationSegmentNetworkMask" from network configuration file.
E8052267	SetNetworkSegmented: Failed to get "ReplicationSegmentGatewayIPAddress" seer context.
E8052268	SetNetworkSegmented: Failed to get "ReplicationSegmentGatewayIPAddress" from network configuration file.
E8052269	SetNetworkSegmented: Failed to get "ManagementSegmentIPAddress" seer context.
E8052270	SetNetworkSegmented: Failed to get "ManagementSegmentIPAddress" from network configuration file.
E8052271	SetNetworkSegmented: Failed to get "ManagementSegmentNetworkMask" seer context.
E8052272	SetNetworkSegmented: Failed to get "ManagementSegmentNetworkMask" from network configuration file.
E8052273	SetNetworkSegmented: Failed to get "ManagementSegmentIPAddress" seer context for the cluster.
E8052274	SetNetworkSegmented: Failed to get "ManagementSegmentIPAddress" of the cluster from network configuration file.
E8052275	SetNetworkSegmented: Failed to get "ManagementSegmentNetworkMask" seer context for the cluster.
E8052276	SetNetworkSegmented: Failed to get "ManagementSegmentNetworkMask" of the cluster from network configuration file.
E8052277	SetNetworkSegmented: Failed to get "ManagementSegmentGatewayIPAddress" seer context.
E8052278	SetNetworkSegmented: Failed to get "ManagementSegmentGatewayIPAddress" from network configuration file.

Error Code	Error Message
E8052279	SetNetworkSegmented: Failed to get "DataSegmentIPAddress" seer context.
E8052280	SetNetworkSegmented: Failed to get "DataSegmentIPAddress" from network configuration file.
E8052281	SetNetworkSegmented: Failed to get "DataSegmentNetworkMask" seer context.
E8052282	SetNetworkSegmented: Failed to get "DataSegmentNetworkMask" from network configuration file.
E8052283	SetNetworkSegmented: Failed to get "DataSegmentGatewayIPAddress" seer context.
E8052284	SetNetworkSegmented: Failed to get "DataSegmentGatewayIPAddress" from network configuration file.
E8052285	SetNetworkSegmented: Failed to get "Hostname" from network configuration file.
E8052286	SetNetworkSegmented: Failed to get "DefaultGatewayIPAddress" seer context.
E8052287	SetNetworkSegmented: Failed to get "DefaultGatewayIPAddress" from network configuration file.
E8052288	SetNetworkSegmented: Failed to get "DNSDomainName" from network configuration file.
E8052289	SetNetworkSegmented: Failed to get "ReMessageSymlink" from global seer configuration.
E8052290	SetNetworkSegmented: Failed to get Httpd Conf File from global seer configuration.
E8052291	SetNetworkSegmented: Failed to get "Update Httpd Conf Program" from global seer configuration.
E8052292	SetNetworkSegmented: Failed to get "ReMessageWWWProgram" from global seer configuration.
E8052293	SetNetworkSegmented: Failed to get "ReMessageWWWReplicationProgram" from global seer configuration.
E8052294	SetNetworkSegmented: The command "update httpd conf script" failed!
E8052295	SetNetworkSegmented: The command "re_message.sh" failed for replication!
E8052296	SetNetworkSegmented: Failed to get "HostnameChangesFile" from global seer configuration.

Error Code	Error Message
E8052297	SetNetworkSegmented: Failed to open "HostnameChanges.conf" file.
E8052298	SetNetworkSegmented: Failed to get "Changes" seer context from HostnameChanges.conf file.
E8052299	SetNetworkSegmented: Failed to get node number from HostnameChanges.conf file.
E8052300	SetNetworkSegmented: Failed to get old hostname from HostnameChanges.conf file.
E8052301	SetNetworkSegmented: Failed to update HostnameChanges.conf file.
E8052302	SetNetworkSegmented: Failed to rename http configuration file.
E8052401	QueryNetwork: Option "query" is missing.
E8052402	QueryNetwork: Option "query" requires a value
E8052403	QueryNetwork: Option "query" has invalid value
E8052404	QueryNetwork: Failed to read/get option "query".
E8052405	QueryNetwork: Failed to write/set option "query".
E8052421	QueryNetwork failed!
E8052801	AddNetcfg: Option "add" is missing.
E8052802	AddNetcfg: Option "add" requires a value
E8052803	AddNetcfg: Option "add" has invalid value
E8052804	AddNetcfg: Failed to read/get option "add".
E8052805	AddNetcfg: Failed to write/set option "add".
E8052811	AddNetcfg: Option "devname" is missing.
E8052812	AddNetcfg: Option "devname" requires a value
E8052813	AddNetcfg: Option "devname" has invalid value
E8052814	AddNetcfg: Failed to read/get option "devname".
E8052815	AddNetcfg: Failed to write/set option "devname".
E8052821	AddNetcfg: Option "ipaddr" is missing.
E8052822	AddNetcfg: Option "ipaddr" requires a value
E8052823	AddNetcfg: Option "ipaddr" has invalid value
E8052824	AddNetcfg: Failed to read/get option "ipaddr".
E8052825	AddNetcfg: Failed to write/set option "ipaddr".
E8052831	AddNetcfg: Option "netmask" is missing.

Error Code	Error Message
E8052832	AddNetcfg: Option "netmask" requires a value
E8052833	AddNetcfg: Option "netmask" has invalid value
E8052834	AddNetcfg: Failed to read/get option "netmask".
E8052835	AddNetcfg: Failed to write/set option "netmask".
E8052836	AddNetcfg: Option "gateway" is missing.
E8052841	AddNetcfg: Failed to read/get option "backup".
E8052842	AddNetcfg: Failed to write/set option "backup".
E8052851	AddNetcfg: Option "gateway" requires a value
E8052852	AddNetcfg: Option "gateway" has invalid value
E8052853	AddNetcfg: Failed to read/get option "gateway".
E8052854	AddNetcfg: Failed to write/set option "gateway".
E8052861	AddNetcfg: Option "policy" requires a value
E8052862	AddNetcfg: Option "policy" has invalid value
E8052863	AddNetcfg: Failed to read/get option "policy".
E8052864	AddNetcfg: Failed to write/set option "policy".
E8052871	AddNetcfg: Failed to read/get option "restart".
E8052872	AddNetcfg: Failed to write/set option "restart".
E8052881	AddNetcfg: Failed to read/get option "restore".
E8052882	AddNetcfg: Failed to write/set option "restore".
E8052883	AddNetcfg: Option "mtu" requires a value
E8052884	AddNetcfg: Option "mtu" has invalid value
E8052885	AddNetcfg: Failed to read/get option "mtu".
E8052886	AddNetcfg: Failed to write/set option "mtu".
E8052891	AddNetcfg: Option "defaultgw" requires a value
E8052892	AddNetcfg: Option "defaultgw" has invalid value
E8052893	AddNetcfg: Failed to read/get option "defaultgw".
E8052894	AddNetcfg: Failed to write/set option "defaultgw".
E8052901	AddNetcfg: Option "segments" requires a value
E8052902	AddNetcfg: Option "segments" has invalid value
E8052903	AddNetcfg: Failed to read/get option "segments".
E8052904	AddNetcfg: Failed to write/set option "segments".

Error Code	Error Message
E8052911	AddNetcfg: Option "slaves" requires a value
E8052912	AddNetcfg: Option "slaves" has invalid value
E8052913	AddNetcfg: Failed to read/get option "slaves".
E8052914	AddNetcfg: Failed to write/set option "slaves".
E8052921	AddNetcfg: Option "mode" requires a value
E8052922	AddNetcfg: Option "mode" has invalid value
E8052923	AddNetcfg: Failed to read/get option "mode".
E8052924	AddNetcfg: Failed to write/set option "mode".
E8052925	AddNetcfg: Option "mode" is missing.
E8052931	AddNetcfg: Option "hosts" requires a value
E8052932	AddNetcfg: Option "hosts" has invalid value
E8052933	AddNetcfg: Failed to read/get option "hosts".
E8052934	AddNetcfg: Failed to write/set option "hosts".
E8052941	AddNetcfg: Option "restart" is required because another optional option is specified!
E8053001	AddNetcfg failed!
E8053201	DelNetcfg: Option "del" is missing.
E8053202	DelNetcfg: Option "del" requires a value
E8053203	DelNetcfg: Option "del" has invalid value
E8053204	DelNetcfg: Failed to read/get option "del".
E8053205	DelNetcfg: Failed to write/set option "del".
E8053211	DelNetcfg: Option "devname" is missing.
E8053212	DelNetcfg: Option "devname" requires a value
E8053213	DelNetcfg: Option "devname" has invalid value
E8053214	DelNetcfg: Failed to read/get option "devname".
E8053215	DelNetcfg: Failed to write/set option "devname".
E8053221	DelNetcfg: Failed to read/get option "restart".
E8053222	DelNetcfg: Failed to write/set option "restart".
E8053241	DelNetcfg: Option "restart" is required because another optional option is specified!
E8053281	DelNetcfg failed!
E8053601	ShowNetcfg: Option "show" is missing.

Error Code	Error Message
E8053602	ShowNetcfg: Option "show" requires a value
E8053603	ShowNetcfg: Option "show" has invalid value
E8053604	ShowNetcfg: Failed to read/get option "show".
E8053605	ShowNetcfg: Failed to write/set option "show".
E8053611	ShowNetcfg: Option "devname" is missing.
E8053612	ShowNetcfg: Option "devname" requires a value
E8053613	ShowNetcfg: Option "devname" has invalid value
E8053614	ShowNetcfg: Failed to read/get option "devname".
E8053615	ShowNetcfg: Failed to write/set option "devname".
E8053681	ShowNetcfg failed!
E8054001	BackupNetcfg: Option "backup" is missing.
E8054002	BackupNetcfg: Option "backup" requires a value
E8054003	BackupNetcfg: Option "backup" has invalid value
E8054004	BackupNetcfg: Failed to read/get option "backup".
E8054005	BackupNetcfg: Failed to write/set option "backup".
E8054021	BackupNetcfg failed!
E8054401	RestoreNetcfg: Option "restore" is missing.
E8054402	RestoreNetcfg: Option "restore" requires a value
E8054403	RestoreNetcfg: Option "restore" has invalid value
E8054404	RestoreNetcfg: Failed to read/get option "restore".
E8054405	RestoreNetcfg: Failed to write/set option "restore".
E8054411	RestoreNetcfg: Failed to read/get option "restart".
E8054412	RestoreNetcfg: Failed to write/set option "restart".
E8054431	RestoreNetcfg: Option "restart" is required because another optional option is specified!
E8054441	RestoreNetcfg failed!
E8054801	ListEthports: Option "list" is missing.
E8054802	ListEthports: Option "list" requires a value
E8054803	ListEthports: Option "list" has invalid value
E8054804	ListEthports: Failed to read/get option "list".
E8054805	ListEthports: Failed to write/set option "list".
E8054851	ListEthports failed!

Error Code	Error Message
E8054852	Sysapi_GetEthDeviceInfo failed!
E8055201	ListBonds: Option "list" is missing.
E8055202	ListBonds: Option "list" requires a value
E8055203	ListBonds: Option "list" has invalid value
E8055204	ListBonds: Failed to read/get option "list".
E8055205	ListBonds: Failed to write/set option "list".
E8055206	ListBonds: failed!
E8055207	Sysapi_GetBondInfo failed!
E8055208	Sysapi_GetBondInfo: Failed to get internal list of bonds!
E8055209	Sysapi_GetBondInfo: Failed to determine if bond is an internal one!
E8055601	UndoNetcfg: Option "undo" is missing.
E8055602	UndoNetcfg: Option "undo" requires a value
E8055603	UndoNetcfg: Option "undo" has invalid value
E8055604	UndoNetcfg: Failed to read/get option "undo".
E8055605	UndoNetcfg: Failed to write/set option "undo".
E8055651	UndoNetcfg failed!
E8056001	GetNetwork: Option "get" is missing.
E8056002	GetNetwork: Option "get" requires a value
E8056003	GetNetwork: Option "get" has invalid value
E8056004	GetNetwork: Failed to read/get option "get".
E8056005	GetNetwork: Failed to write/set option "get".
E8056006	GetNetwork: Failed to get nameservers from /etc/resolv.conf.
E8056007	GetNetwork: Failed to get search path from /etc/resolv.conf.
E8056051	GetNetwork failed!
E8056401	GetDefaultgw: Option "get" is missing.
E8056402	GetDefaultgw: Option "get" requires a value
E8056403	GetDefaultgw: Option "get" has invalid value
E8056404	GetDefaultgw: Failed to read/get option "get".
E8056405	GetDefaultgw: Failed to write/set option "get".
E8056451	GetDefaultgw failed!
E8056801	ListInterface: Option "list" is missing.

Error Code	Error Message
E8056802	ListInterface: Option "list" requires a value
E8056803	ListInterface: Option "list" has invalid value
E8056804	ListInterface: Failed to read/get option "list".
E8056805	ListInterface: Failed to write/set option "list".
E8056806	ListInterface: Option "type" is missing.
E8056807	ListInterface: Option "type" has invalid value
E8056808	ListInterface: Failed to read/get option "type".
E8056809	ListInterface: Failed to write/set option "type".
E8056810	ListInterface: Defined "Type" not found in XML file!
E8056811	ListInterface: Option "xml" requires a value
E8056812	ListInterface: Option "xml" has invalid value
E8056813	ListInterface: Failed to read/get option "xml".
E8056814	ListInterface: Failed to write/set option "xml".
E8056815	ListInterface: Failed to get L3 info from XML file.
E8056816	ListInterface: Failed to display XML file.
E8056817	ListInterface: Failed to get L3 routes from XML file.
E8056818	ListInterface: Failed to get L3 segments from XML file.
E8056851	ListInterface failed!
E8057201	AddThrottle: Option "add" is missing.
E8057202	AddThrottle: Option "add" requires a value
E8057203	AddThrottle: Option "add" has invalid value
E8057204	AddThrottle: Failed to read/get option "add".
E8057205	AddThrottle: Failed to write/set option "add".
E8057211	AddThrottle: Option "service" requires a value
E8057212	AddThrottle: Option "service" has invalid value
E8057213	AddThrottle: Failed to read/get option "service".
E8057214	AddThrottle: Failed to write/set option "service".
E8057221	AddThrottle: Option "devname" requires a value
E8057222	AddThrottle: Option "devname" has invalid value
E8057223	AddThrottle: Failed to read/get option "devname".
E8057224	AddThrottle: Failed to write/set option "devname".

Error Code	Error Message
E8057225	AddThrottle: Option "service" is missing.
E8057231	AddThrottle: Option "bw" is missing.
E8057232	AddThrottle: Option "bw" requires a value
E8057233	AddThrottle: Option "bw" value must be specified between "256K" and "1000M"
E8057234	AddThrottle: Failed to read/get option "bw".
E8057235	AddThrottle: Failed to write/set option "bw".
E8057271	AddThrottle failed!
E8057601	DelThrottle: Option "del" is missing.
E8057602	DelThrottle: Option "del" requires a value
E8057603	DelThrottle: Option "del" has invalid value
E8057604	DelThrottle: Failed to read/get option "del".
E8057605	DelThrottle: Failed to write/set option "del".
E8057611	DelThrottle: Option "devname" requires a value
E8057612	DelThrottle: Option "devname" has invalid value
E8057613	DelThrottle: Failed to read/get option "devname".
E8057614	DelThrottle: Failed to write/set option "devname".
E8057615	DelThrottle: Option "devname" is missing.
E8057621	DisableThrottle: Option "service" requires a value
E8057622	DisableThrottle: Option "service" has invalid value
E8057623	DisableThrottle: Failed to read/get option "service".
E8057624	DisableThrottle: Failed to write/set option "service".
E8057671	DisableThrottle failed!
E8058001	ShowThrottle: Option "show" is missing.
E8058002	ShowThrottle: Option "show" requires a value
E8058003	ShowThrottle: Option "show" has invalid value
E8058004	ShowThrottle: Failed to read/get option "show".
E8058005	ShowThrottle: Failed to write/set option "show".
E8058011	ShowThrottle: Option "devname" requires a value
E8058012	ShowThrottle: Option "devname" has invalid value
E8058013	ShowThrottle: Failed to read/get option "devname".
E8058014	ShowThrottle: Failed to write/set option "devname".

Error Code	Error Message
E8058061	ShowThrottle failed!
E8058401	SetNetwork: Option "set" is missing.
E8058402	SetNetwork: Option "set" requires a value
E8058403	SetNetwork: Option "set" has invalid value
E8058404	SetNetwork: Failed to read/get option "set".
E8058405	SetNetwork: Failed to write/set option "set".
E8058411	SetNetwork: Option "hostname" is missing.
E8058412	SetNetwork: Option "hostname" requires a value
E8058413	SetNetwork: Option "hostname" has invalid value
E8058414	SetNetwork: Failed to read/get option "hostname". Please provide hostname.
E8058415	SetNetwork: Failed to write/set option "hostname".
E8058421	SetNetwork: Option "domain" requires a value
E8058422	SetNetwork: Option "domain" has invalid value
E8058423	SetNetwork: Failed to read/get option "domain".
E8058424	SetNetwork: Failed to write/set option "domain".
E8058431	SetNetwork: Option "dns" requires a value
E8058432	SetNetwork: Option "dns" has invalid value
E8058433	SetNetwork: Failed to read/get option "dns".
E8058434	SetNetwork: Failed to write/set option "dns".
E8058441	SetNetwork: Option "defaultgateway" requires a value
E8058442	SetNetwork: Option "defaultgateway" has invalid value
E8058443	SetNetwork: Failed to read/get option "defaultgateway".
E8058444	SetNetwork: Failed to write/set option "defaultgateway".
E8058451	SetNetwork: Nothing to change. Need to provide an option."
E8058501	SetNetwork failed!
E8058801	AddRoute: Option "add" is missing.
E8058802	AddRoute: Option "add" requires a value
E8058803	AddRoute: Option "add" has invalid value
E8058804	AddRoute: Failed to read/get option "add".
E8058805	AddRoute: Failed to write/set option "add".
E8058811	AddRoute: Option "devname" requires a value

Error Code	Error Message
E8058812	AddRoute: Option "devname" has invalid value
E8058813	AddRoute: Failed to read/get option "devname".
E8058814	AddRoute: Failed to write/set option "devname".
E8058821	AddRoute: Option "network" is missing.
E8058822	AddRoute: Option "network" requires a value
E8058823	AddRoute: Option "network" has invalid value
E8058824	AddRoute: Failed to read/get option "network".
E8058825	AddRoute: Failed to write/set option "network".
E8058831	AddRoute: Option "netmask" is missing.
E8058832	AddRoute: Option "netmask" requires a value
E8058833	AddRoute: Option "netmask" has invalid value
E8058834	AddRoute: Failed to read/get option "netmask".
E8058835	AddRoute: Failed to write/set option "netmask".
E8058841	AddRoute: Option "gateway" is missing.
E8058842	AddRoute: Option "gateway" requires a value
E8058843	AddRoute: Option "gateway" has invalid value
E8058844	AddRoute: Failed to read/get option "gateway".
E8058845	AddRoute: Failed to write/set option "gateway".
E8058901	AddRoute failed!
E8058902	AddRoute: No device found to add route.
E8058903	AddRoute: Invalid Gateway specified.
E8058904	AddRoute: Invalid Netmask specified.
E8059201	DelRoute: Option "del" is missing.
E8059202	DelRoute: Option "del" requires a value
E8059203	DelRoute: Option "del" has invalid value
E8059204	DelRoute: Failed to read/get option "del".
E8059205	DelRoute: Failed to write/set option "del".
E8059211	DelRoute: Option "devname" is missing.
E8059212	DelRoute: Option "devname" requires a value
E8059213	DelRoute: Option "devname" has invalid value
E8059214	DelRoute: Failed to read/get option "devname".

Error Code	Error Message
E8059215	DelRoute: Failed to write/set option "devname".
E8059221	DelRoute: Option "network" is missing.
E8059222	DelRoute: Option "network" requires a value
E8059223	DelRoute: Option "network" has invalid value
E8059224	DelRoute: Failed to read/get option "network".
E8059225	DelRoute: Failed to write/set option "network".
E8059301	DelRoute failed!
E8059302	DelRoute: No device found to delete route.
E8059303	DelRoute: No route found to with specified destination to delete.
E8059601	GetHostname: Option "get" is missing.
E8059602	GetHostname: Option "get" requires a value
E8059603	GetHostname: Option "get" has invalid value
E8059604	GetHostname: Failed to read/get option "get".
E8059605	GetHostname: Failed to write/set option "get".
E8059611	GetHostname: Option "sid" requires a value
E8059612	GetHostname: Option "sid" has invalid value
E8059613	GetHostname: Failed to read/get option "sid".
E8059614	GetHostname: Failed to write/set option "sid".
E8059701	GetHostname failed!
E8060001	GetDns: Option "get" is missing.
E8060002	GetDns: Option "get" requires a value
E8060003	GetDns: Option "get" has invalid value
E8060004	GetDns: Failed to read/get option "get".
E8060005	GetDns: Failed to write/set option "get".
E8060051	GetDns failed!
E8060401	GetDomain: Option "get" is missing.
E8060402	GetDomain: Option "get" requires a value
E8060403	GetDomain: Option "get" has invalid value
E8060404	GetDomain: Failed to read/get option "get".
E8060405	GetDomain: Failed to write/set option "get".
E8060451	GetDomain failed!

Error Code	Error Message
E8060801	ListRoute: Option "list" is missing.
E8060802	ListRoute: Option "list" requires a value
E8060803	ListRoute: Option "list" has invalid value
E8060804	ListRoute: Failed to read/get option "list".
E8060805	ListRoute: Failed to write/set option "list".
E8060851	ListRoute failed!
E8061201	EditNetcfg: Option "edit" is missing.
E8061202	EditNetcfg: Option "edit" requires a value
E8061203	EditNetcfg: Option "edit" has invalid value
E8061204	EditNetcfg: Failed to read/get option "edit".
E8061205	EditNetcfg: Failed to write/set option "edit".
E8061211	EditNetcfg: Option "devname" is missing.
E8061212	EditNetcfg: Option "devname" requires a value
E8061213	EditNetcfg: Option "devname" has invalid value
E8061214	EditNetcfg: Failed to read/get option "devname".
E8061215	EditNetcfg: Failed to write/set option "devname".
E8061221	EditNetcfg: Option "mtu" requires a value
E8061222	EditNetcfg: Option "mtu" has invalid value
E8061223	EditNetcfg: Failed to read/get option "mtu".
E8061224	EditNetcfg: Failed to write/set option "mtu".
E8061231	EditNetcfg: Option "mode" requires a value
E8061232	EditNetcfg: Option "mode" has invalid value
E8061233	EditNetcfg: Failed to read/get option "mode".
E8061234	EditNetcfg: Failed to write/set option "mode".
E8061241	EditNetcfg: Option "slaves" requires a value
E8061242	EditNetcfg: Option "slaves" has invalid value
E8061243	EditNetcfg: Failed to read/get option "slaves".
E8061244	EditNetcfg: Failed to write/set option "slaves".
E8061301	EditNetcfg failed!
E8061601	ListThrottle: Option "list" is missing.
E8061602	ListThrottle: Option "list" requires a value

Error Code	Error Message
E8061603	ListThrottle: Option "list" has invalid value
E8061604	ListThrottle: Failed to read/get option "list".
E8061605	ListThrottle: Failed to write/set option "list".
E8061611	ListThrottle: Option "devname" requires a value
E8061612	ListThrottle: Option "devname" has invalid value
E8061613	ListThrottle: Failed to read/get option "devname".
E8061614	ListThrottle: Failed to write/set option "devname".
E8061661	ListThrottle failed!
E8100001	Failed to open the /opt/DXi/theSeer/UnifiedNetwork.conf file.
E8100401	SetHostname: Option "set" is missing.
E8100402	SetHostname: Option "set" requires a value
E8100403	SetHostname: Option "set" has invalid value
E8100404	SetHostname: Failed to read/get option "set".
E8100405	SetHostname: Failed to write/set option "set".
E8100411	SetHostname: Option "name" is missing.
E8100412	SetHostname: Option "name" requires a value
E8100413	SetHostname: Option "name" has invalid value
E8100414	SetHostname: Failed to read/get option "name".
E8100415	SetHostname: Failed to write/set option "name".
E8100421	SetHostname: Option "sid" is missing.
E8100422	SetHostname: Option "sid" requires a value
E8100423	SetHostname: Option "sid" has invalid value
E8100424	SetHostname: Failed to read/get option "sid".
E8100425	SetHostname: Failed to write/set option "sid".
E8100431	SetHostname failed!
E8101201	ListEthdev: Option "list" is missing.
E8101202	ListEthdev: Option "list" requires a value
E8101203	ListEthdev: Option "list" has invalid value
E8101204	ListEthdev: Failed to read/get option "list".
E8101205	ListEthdev: Failed to write/set option "list".
E8101211	ListEthdev: Option "sid" requires a value

Error Code	Error Message
E8101212	ListEthdev: Option "sid" has invalid value
E8101213	ListEthdev: Failed to read/get option "sid".
E8101214	ListEthdev: Failed to write/set option "sid".
E8101231	ListEthdev failed!
E8101241	ListEthdev: Unable to get the first ethernet device.
E8101242	ListEthdev: Unable to get the next ethernet device.
E8101601	ListBond: Option "list" is missing.
E8101602	ListBond: Option "list" requires a value
E8101603	ListBond: Option "list" has invalid value
E8101604	ListBond: Failed to read/get option "list".
E8101605	ListBond: Failed to write/set option "list".
E8101611	ListBond: Option "label" requires a value
E8101612	ListBond: Option "label" has invalid value
E8101613	ListBond: Failed to read/get option "label".
E8101614	ListBond: Failed to write/set option "label".
E8101621	ListBond: Option "sid" requires a value
E8101622	ListBond: Option "sid" has invalid value
E8101623	ListBond: Failed to read/get option "sid".
E8101624	ListBond: Failed to write/set option "sid".
E8101631	ListBond failed!
E8101651	ListBond: No bonded device found.
E9000401	ListPtinitiator: Option "list" is missing.
E9000402	ListPtinitiator: Option "list" requires a value
E9000403	ListPtinitiator: Option "list" has invalid value
E9000404	ListPtinitiator: Failed to read/get option "list".
E9000405	ListPtinitiator: Failed to write/set option "list".
E9000421	ListPtinitiator failed!
E9000801	ListPort: Option "list" is missing.
E9000802	ListPort: Option "list" requires a value
E9000803	ListPort: Option "list" has invalid value
E9000804	ListPort: Failed to read/get option "list".

Error Code	Error Message
E9000805	ListPort: Failed to write/set option "list".
E9000821	ListPort: Unable to get the node count.
E9000851	ListPort failed!
E9001201	AddBackupuser: Option "password" requires a value
E9001202	AddBackupuser: Option "add" is missing.
E9001203	AddBackupuser: Option "add" requires a value
E9001204	AddBackupuser: Option "add" has invalid value
E9001205	AddBackupuser: Failed to read/get option "add".
E9001206	AddBackupuser: Failed to write/set option "add".
E9001211	AddBackupuser: Option "name" is missing.
E9001212	AddBackupuser: Option "name" requires a value
E9001213	AddBackupuser: Option "name" has invalid value
E9001214	AddBackupuser: Value of option "name" is too long
E9001215	AddBackupuser: Failed to read/get option "name".
E9001216	AddBackupuser: Failed to write/set option "name".
E9001221	AddBackupuser: Option "password" is missing.
E9001222	AddBackupuser: Option "password" has invalid value
E9001223	AddBackupuser: Failed to read/get option "password".
E9001224	AddBackupuser: Failed to write/set option "password".
E9001231	AddBackupuser: Option "desc" requires a value
E9001232	AddBackupuser: Option "desc" has invalid value
E9001233	AddBackupuser: Failed to read/get option "desc".
E9001234	AddBackupuser: Failed to write/set option "desc".
E9001235	AddBackupuser: Unable to add backup application specific user.
E9001251	AddBackupuser failed!
E9001601	DelBackupuser: Option "del" is missing.
E9001602	DelBackupuser: Option "del" requires a value
E9001603	DelBackupuser: Option "del" has invalid value
E9001604	DelBackupuser: Failed to read/get option "del".
E9001605	DelBackupuser: Failed to write/set option "del".
E9001611	DelBackupuser: Option "name" is missing.

Error Code	Error Message
E9001612	DelBackupuser: Option "name" requires a value
E9001613	DelBackupuser: Option "name" has invalid value
E9001614	DelBackupuser: Value of option "name" is too long
E9001615	DelBackupuser: Failed to read/get option "name".
E9001616	DelBackupuser: Failed to write/set option "name".
E9001617	DelBackupuser: Unable to delete backup application specific user.
E9001631	DelBackupuser failed!
E9002001	EditBackupuser: Option "password" requires a value
E9002002	EditBackupuser: Option "edit" is missing.
E9002003	EditBackupuser: Option "edit" requires a value
E9002004	EditBackupuser: Option "edit" has invalid value
E9002005	EditBackupuser: Failed to read/get option "edit".
E9002006	EditBackupuser: Failed to write/set option "edit".
E9002011	EditBackupuser: Option "name" is missing.
E9002012	EditBackupuser: Option "name" requires a value
E9002013	EditBackupuser: Option "name" has invalid value
E9002014	EditBackupuser: Value of option "name" is too long
E9002015	EditBackupuser: Failed to read/get option "name".
E9002016	EditBackupuser: Failed to write/set option "name".
E9002021	EditBackupuser: Option "password" is missing.
E9002022	EditBackupuser: Option "password" has invalid value
E9002023	EditBackupuser: Failed to read/get option "password".
E9002024	EditBackupuser: Failed to write/set option "password".
E9002031	EditBackupuser: Option "desc" requires a value
E9002032	EditBackupuser: Option "desc" has invalid value
E9002033	EditBackupuser: Failed to read/get option "desc".
E9002034	EditBackupuser: Failed to write/set option "desc".
E9002035	EditBackupuser: Unable to edit backup application specific user.
E9002051	EditBackupuser failed!
E9002401	ListBackupuser: Option "list" is missing.

Error Code	Error Message
E9002402	ListBackupuser: Option "list" requires a value
E9002403	ListBackupuser: Option "list" has invalid value
E9002404	ListBackupuser: Failed to read/get option "list".
E9002405	ListBackupuser: Failed to write/set option "list".
E9002406	ListBackupuser: Unable to get backup application specific user list.
E9002421	ListBackupuser failed!
E9002801	DeleteallBackupuser: Option "deleteall" is missing.
E9002802	DeleteallBackupuser: Option "deleteall" requires a value
E9002803	DeleteallBackupuser: Option "deleteall" has invalid value
E9002804	DeleteallBackupuser: Failed to read/get option "deleteall".
E9002805	DeleteallBackupuser: Failed to write/set option "deleteall".
E9002806	DeleteallBackupuser: Unable to get backup application user list.
E9002807	DeleteallBackupuser: Unable to delete backup application user.
E9002831	DeleteallBackupuser failed!
E9003201	ListMedchanger: Option "list" is missing.
E9003202	ListMedchanger: Option "list" requires a value
E9003203	ListMedchanger: Option "list" has invalid value
E9003204	ListMedchanger: Failed to read/get option "list".
E9003205	ListMedchanger: Failed to write/set option "list".
E9003206	ListMedchanger: Unable to get medium changer list.
E9003221	ListMedchanger failed!
E9003601	ListTapedrive: Option "list" is missing.
E9003602	ListTapedrive: Option "list" requires a value
E9003603	ListTapedrive: Option "list" has invalid value
E9003604	ListTapedrive: Failed to read/get option "list".
E9003605	ListTapedrive: Failed to write/set option "list".
E9003611	ListTapedrive: Option "serialnumber" is missing.
E9003612	ListTapedrive: Option "serialnumber" requires a value
E9003613	ListTapedrive: Option "serialnumber" has invalid value

Error Code	Error Message
E9003614	ListTapedrive: Failed to read/get option "serialnumber".
E9003615	ListTapedrive: Failed to write/set option "serialnumber".
E9003616	ListTapedrive: Unable to get tape drive list.
E9003631	ListTapedrive failed!
E9004001	ScanDevice: Option "scan" is missing.
E9004002	ScanDevice: Option "scan" requires a value
E9004003	ScanDevice: Option "scan" has invalid value
E9004004	ScanDevice: Failed to read/get option "scan".
E9004005	ScanDevice: Failed to write/set option "scan".
E9004006	ScanDevice: Unable to scan devices.
E9004021	ScanDevice failed!
E9004401	UseMedchanger: Option "use" is missing.
E9004402	UseMedchanger: Option "use" requires a value
E9004403	UseMedchanger: Option "use" has invalid value
E9004404	UseMedchanger: Failed to read/get option "use".
E9004405	UseMedchanger: Failed to write/set option "use".
E9004411	UseMedchanger: Option "sernum" is missing.
E9004412	UseMedchanger: Option "sernum" requires a value
E9004413	UseMedchanger: Option "sernum" has invalid value
E9004414	UseMedchanger: Failed to read/get option "sernum".
E9004415	UseMedchanger: Failed to write/set option "sernum".
E9004421	UseMedchanger: Option "usetype" is missing.
E9004422	UseMedchanger: Option "usetype" requires a value
E9004423	UseMedchanger: Option "usetype" has invalid value
E9004424	UseMedchanger: Failed to read/get option "usetype".
E9004425	UseMedchanger: Failed to write/set option "usetype".
E9004426	UseMedchanger: Unable to set the intended use of the changer.
E9004427	UseMedchanger: Unable to get the tape drives associated with this changer.
E9004428	UseMedchanger: Unable to remove the drive associated with the changer.

Error Code	Error Message
E9004501	UseMedchanger failed!
E9004801	UseTapedrive: Option "use" is missing.
E9004802	UseTapedrive: Option "use" requires a value
E9004803	UseTapedrive: Option "use" has invalid value
E9004804	UseTapedrive: Failed to read/get option "use".
E9004805	UseTapedrive: Failed to write/set option "use".
E9004811	UseTapedrive: Option "sernum" is missing.
E9004812	UseTapedrive: Option "sernum" requires a value
E9004813	UseTapedrive: Option "sernum" has invalid value
E9004814	UseTapedrive: Failed to read/get option "sernum".
E9004815	UseTapedrive: Failed to write/set option "sernum".
E9004821	UseTapedrive: Option "usetype" is missing.
E9004822	UseTapedrive: Option "usetype" requires a value
E9004823	UseTapedrive: Option "usetype" has invalid value
E9004824	UseTapedrive: Failed to read/get option "usetype".
E9004825	UseTapedrive: Failed to write/set option "usetype".
E9004826	UseTapedrive: Unable to set the intended use of the tape drive.
E9004831	UseTapedrive failed!
E9005201	EnablePtt: Option "enable" is missing.
E9005202	EnablePtt: Option "enable" requires a value
E9005203	EnablePtt: Option "enable" has invalid value
E9005204	EnablePtt: Failed to read/get option "enable".
E9005205	EnablePtt: Failed to write/set option "enable".
E9005211	EnablePtt: Option "wwpn" is missing.
E9005212	EnablePtt: Option "wwpn" requires a value
E9005213	EnablePtt: Option "wwpn" has invalid value
E9005214	EnablePtt: Failed to read/get option "wwpn".
E9005215	EnablePtt: Failed to write/set option "wwpn".
E9005261	EnablePtt failed!
E9005262	Enableptt gc command failed!
E9005263	Enableptt failed up update conf file!

Error Code	Error Message
E9005264	Enableptt not supported!
E9005265	No matching FC port to enable!
E9005601	DisablePtt: Option "disable" is missing.
E9005602	DisablePtt: Option "disable" requires a value
E9005603	DisablePtt: Option "disable" has invalid value
E9005604	DisablePtt: Failed to read/get option "disable".
E9005605	DisablePtt: Failed to write/set option "disable".
E9005611	DisablePtt: Option "wwpn" is missing.
E9005612	DisablePtt: Option "wwpn" requires a value
E9005613	DisablePtt: Option "wwpn" has invalid value
E9005614	DisablePtt: Failed to read/get option "wwpn".
E9005615	DisablePtt: Failed to write/set option "wwpn".
E9005661	DisablePtt failed!
E9005662	Disableptt gc command failed!
E9005663	Disableptt failed up update conf file!
E9005664	Disableptt not supported!
E9005665	No matching FC port to disable!
E11000001	Buffer Area is uninitialised.
E11000002	Failed to retrieve VTL Summary!
E11000003	Failed to get node number for the drive!
E11000004	Invalid drive!
E11000005	Failed to open drive stat file!
E11000006	No tape drives found!
E11000007	Invalid VTL !
E11000008	Invalid barcode!
E11000009	VTL: cart does not exist!
E11000010	The given Ethernet Switch does not exist!
E11000011	The given Fibre Channel Switch does not exist!
E11000012	The given Storage Array does not exist!
E11000013	The given FC Adapter does not exist!
E11000014	The status xml file does not exist!

Error Code	Error Message
E11000401	GetstatusVtlperf: Option "getstatus" is missing.
E11000402	GetstatusVtlperf: Option "getstatus" requires a value
E11000403	GetstatusVtlperf: Option "getstatus" has invalid value
E11000404	GetstatusVtlperf: Failed to read/get option "getstatus".
E11000405	GetstatusVtlperf: Failed to write/set option "getstatus".
E11000411	GetstatusVtlperf: Option "vtl" is missing.
E11000412	GetstatusVtlperf: Option "vtl" requires a value
E11000413	GetstatusVtlperf: Option "vtl" has invalid value
E11000414	GetstatusVtlperf: Failed to read/get option "vtl".
E11000415	GetstatusVtlperf: Failed to write/set option "vtl".
E11000431	GetstatusVtlperf failed!
E11000432	GetstatusVtlperf: The specified VTL does not exist!
E11000433	GetstatusVtlperf: Failed to get VTL throughput!
E11000801	GetstatusTapedrive: Option "getstatus" is missing.
E11000802	GetstatusTapedrive: Option "getstatus" requires a value
E11000803	GetstatusTapedrive: Option "getstatus" has invalid value
E11000804	GetstatusTapedrive: Failed to read/get option "getstatus".
E11000805	GetstatusTapedrive: Failed to write/set option "getstatus".
E11000811	GetstatusTapedrive: Option "VTL" is missing.
E11000812	GetstatusTapedrive: Option "VTL" requires a value
E11000813	GetstatusTapedrive: Option "VTL" has invalid value
E11000814	GetstatusTapedrive: Failed to read/get option "VTL".
E11000815	GetstatusTapedrive: Failed to write/set option "VTL".
E11000821	GetstatusTapedrive: Option "drive" requires a value
E11000822	GetstatusTapedrive: Option "drive" has invalid value
E11000823	GetstatusTapedrive: Failed to read/get option "drive".
E11000824	GetstatusTapedrive: Failed to write/set option "drive".
E11000841	GetstatusTapedrive failed!
E11000842	GetstatusTapedrive: The specified VTL does not exist!
E11000843	GetstatusTapedrive: Buffer area is uninitialized.
E11000844	GetstatusTapedrive: Failed to get node number for the drive!

Error Code	Error Message
E11000845	GetstatusTapedrive: Invalid drive!
E11000846	GetstatusTapedrive: Failed to open drive stat file!
E11000847	GetstatusTapedrive: No tape drives found!
E11000848	GetstatusTapedrive: Invalid VTL !
E11001201	GetstatusStorageslot: Option "getstatus" is missing.
E11001202	GetstatusStorageslot: Option "getstatus" requires a value
E11001203	GetstatusStorageslot: Option "getstatus" has invalid value
E11001204	GetstatusStorageslot: Failed to read/get option "getstatus".
E11001205	GetstatusStorageslot: Failed to write/set option "getstatus".
E11001211	GetstatusStorageslot: Option "VTL" is missing.
E11001212	GetstatusStorageslot: Option "VTL" requires a value
E11001213	GetstatusStorageslot: Option "VTL" has invalid value
E11001214	GetstatusStorageslot: Failed to read/get option "VTL".
E11001215	GetstatusStorageslot: Failed to write/set option "VTL".
E11001221	GetstatusStorageslot: Option "barcode" requires a value
E11001222	GetstatusStorageslot: Option "barcode" has invalid value
E11001223	GetstatusStorageslot: Failed to read/get option "barcode".
E11001224	GetstatusStorageslot: Failed to write/set option "barcode".
E11001241	GetstatusStorageslot failed!
E11001242	GetstatusStorageslot: Failed to get storage media information!
E11001243	GetstatusStorageslot: The specified VTL does not exist!
E11001244	GetstatusStorageslot: The specified VTL barcode is invalid!
E11001245	GetstatusStorageslot: The VTL cart does not exist!
E11001601	GetstatusVtllogical: Option "getstatus" is missing.
E11001602	GetstatusVtllogical: Option "getstatus" requires a value
E11001603	GetstatusVtllogical: Option "getstatus" has invalid value
E11001604	GetstatusVtllogical: Failed to read/get option "getstatus".
E11001605	GetstatusVtllogical: Failed to write/set option "getstatus".
E11001611	GetstatusVtllogical: Option "VTL" requires a value
E11001612	GetstatusVtllogical: Option "VTL" has invalid value
E11001613	GetstatusVtllogical: Failed to read/get option "VTL".

Error Code	Error Message
E11001614	GetstatusVtllogical: Failed to write/set option "VTL".
E11001631	GetstatusVtllogical failed!
E11001632	GetstatusVtllogical: The specified VTL does not exist!
E11001633	GetstatusVtllogical: Buffer area is uninitialized.
E11001634	GetstatusVtllogical: Failed to retrieve VTL summary!
E11001635	GetstatusVtllogical: Failed to retrieve VTL information.
E11002001	GetstatusCommoncomponent: Option "getstatus" is missing.
E11002002	GetstatusCommoncomponent: Option "getstatus" requires a value
E11002003	GetstatusCommoncomponent: Option "getstatus" has invalid value
E11002004	GetstatusCommoncomponent: Failed to read/get option "getstatus".
E11002005	GetstatusCommoncomponent: Failed to write/set option "getstatus".
E11002011	GetstatusCommoncomponent: Option "storagearray" is required because another optional option is specified!
E11002012	GetstatusCommoncomponent: Failed to read/get option "storagearray".
E11002013	GetstatusCommoncomponent: Failed to write/set option "storagearray".
E11002021	GetstatusCommoncomponent: Option "fcswitch" is required because another optional option is specified!
E11002022	GetstatusCommoncomponent: Failed to read/get option "fcswitch".
E11002023	GetstatusCommoncomponent: Failed to write/set option "fcswitch".
E11002031	GetstatusCommoncomponent: Option "ethernetswitch" is required because another optional option is specified!
E11002032	GetstatusCommoncomponent: Failed to read/get option "ethernetswitch".
E11002033	GetstatusCommoncomponent: Failed to write/set option "ethernetswitch".
E11002051	GetstatusCommoncomponent failed!
E11002052	GetstatusCommoncomponent: Failed to read seer file!
E11002053	GetstatusCommoncomponent: File used to read status is not found.

Error Code	Error Message
E11002401	GetstatusEthernetswitch: Option "getstatus" is missing.
E11002402	GetstatusEthernetswitch: Option "getstatus" requires a value
E11002403	GetstatusEthernetswitch: Option "getstatus" has invalid value
E11002404	GetstatusEthernetswitch: Failed to read/get option "getstatus".
E11002405	GetstatusEthernetswitch: Failed to write/set option "getstatus".
E11002411	GetstatusEthernetswitch: Option "name" is missing.
E11002412	GetstatusEthernetswitch: Option "name" requires a value
E11002413	GetstatusEthernetswitch: Option "name" has invalid value
E11002414	GetstatusEthernetswitch: Failed to read/get option "name".
E11002415	GetstatusEthernetswitch: Failed to write/set option "name".
E11002431	GetstatusEthernetswitch failed!
E11002432	GetstatusEthernetswitch: Failed to read Ethernet switch status seer file. Caught seer exception!
E11002433	GetstatusEthernetswitch: The Ethernet switch status seer file is not found!
E11002801	GetstatusFcswitch: Option "getstatus" is missing.
E11002802	GetstatusFcswitch: Option "getstatus" requires a value
E11002803	GetstatusFcswitch: Option "getstatus" has invalid value
E11002804	GetstatusFcswitch: Failed to read/get option "getstatus".
E11002805	GetstatusFcswitch: Failed to write/set option "getstatus".
E11002811	GetstatusFcswitch: Option "name" is missing.
E11002812	GetstatusFcswitch: Option "name" requires a value
E11002813	GetstatusFcswitch: Option "name" has invalid value
E11002814	GetstatusFcswitch: Failed to read/get option "name".
E11002815	GetstatusFcswitch: Failed to write/set option "name".
E11002831	GetstatusFcswitch failed!
E11002832	GetstatusFcswitch: The fibre channel switch is not found!
E11002833	GetstatusFcswitch: Failed to read fibre channel switch status file. Caught seer exception!
E11002834	GetstatusFcswitch: The fibre channel switch status file is not found.
E11003201	GetstatusStoragearray: Option "getstatus" is missing.

Error Code	Error Message
E11003202	GetstatusStoragearray: Option "getstatus" requires a value
E11003203	GetstatusStoragearray: Option "getstatus" has invalid value
E11003204	GetstatusStoragearray: Failed to read/get option "getstatus".
E11003205	GetstatusStoragearray: Failed to write/set option "getstatus".
E11003211	GetstatusStoragearray: Option "name" is missing.
E11003212	GetstatusStoragearray: Option "name" requires a value
E11003213	GetstatusStoragearray: Option "name" has invalid value
E11003214	GetstatusStoragearray: Failed to read/get option "name".
E11003215	GetstatusStoragearray: Failed to write/set option "name".
E11003231	GetstatusStoragearray failed!
E11003232	GetstatusStoragearray: Failed to read storage array status file. Caught seer exception!
E11003233	GetstatusStoragearray: The storage array status file is not found!
E11003601	GetstatusSyscomponent: Option "getstatus" is missing.
E11003602	GetstatusSyscomponent: Option "getstatus" requires a value
E11003603	GetstatusSyscomponent: Option "getstatus" has invalid value
E11003604	GetstatusSyscomponent: Failed to read/get option "getstatus".
E11003605	GetstatusSyscomponent: Failed to write/set option "getstatus".
E11003611	GetstatusSyscomponent: Option "systemboard" is required because another optional option is specified!
E11003612	GetstatusSyscomponent: Failed to read/get option "systemboard".
E11003613	GetstatusSyscomponent: Failed to write/set option "systemboard".
E11003621	GetstatusSyscomponent: Option "bootdisk" is required because another optional option is specified!
E11003622	GetstatusSyscomponent: Failed to read/get option "bootdisk".
E11003623	GetstatusSyscomponent: Failed to write/set option "bootdisk".
E11003631	GetstatusSyscomponent: Option "fcadapter" is required because another optional option is specified!

Error Code	Error Message
E11003632	GetstatusSyscomponent: Failed to read/get option "fcadapter".
E11003633	GetstatusSyscomponent: Failed to write/set option "fcadapter".
E11003641	GetstatusSyscomponent: Option "compadapter" is required because another optional option is specified!
E11003642	GetstatusSyscomponent: Failed to read/get option "compadapter".
E11003643	GetstatusSyscomponent: Failed to write/set option "compadapter".
E11003651	GetstatusSyscomponent: Option "networkport" is required because another optional option is specified!
E11003652	GetstatusSyscomponent: Failed to read/get option "networkport".
E11003653	GetstatusSyscomponent: Failed to write/set option "networkport".
E11003671	GetstatusSyscomponent failed!
E11003672	GetstatusSyscomponent: The file used to retrieve the status is not found.
E11003673	GetstatusSyscomponent: Failed to read seer file!
E11004001	GetstatusSystemboard: Option "getstatus" is missing.
E11004002	GetstatusSystemboard: Option "getstatus" requires a value
E11004003	GetstatusSystemboard: Option "getstatus" has invalid value
E11004004	GetstatusSystemboard: Failed to read/get option "getstatus".
E11004005	GetstatusSystemboard: Failed to write/set option "getstatus".
E11004021	GetstatusSystemboard failed!
E11004022	GetstatusSystemboard: Failed to read system board status seer file!
E11004023	GetstatusSystemboard: The system board status seer file is not found!
E11004401	GetstatusBootdisk: Option "getstatus" is missing.
E11004402	GetstatusBootdisk: Option "getstatus" requires a value
E11004403	GetstatusBootdisk: Option "getstatus" has invalid value
E11004404	GetstatusBootdisk: Failed to read/get option "getstatus".
E11004405	GetstatusBootdisk: Failed to write/set option "getstatus".
E11004421	GetstatusBootdisk failed!

Error Code	Error Message
E11004422	GetstatusBootdisk: Failed to read from boot disk status seer file!
E11004423	GetstatusBootdisk: Boot disk status seer file is not found!
E11004801	GetstatusCompadapter: Option "getstatus" is missing.
E11004802	GetstatusCompadapter: Option "getstatus" requires a value
E11004803	GetstatusCompadapter: Option "getstatus" has invalid value
E11004804	GetstatusCompadapter: Failed to read/get option "getstatus".
E11004805	GetstatusCompadapter: Failed to write/set option "getstatus".
E11004821	GetstatusCompadapter failed!
E11004822	GetstatusCompadapter: Failed to compression adapter status seer file. Caught seer exception!
E11004823	GetstatusCompadapter: The compression adapter status seer file is not found!
E11005201	GetstatusFcadapter: Option "getstatus" is missing.
E11005202	GetstatusFcadapter: Option "getstatus" requires a value
E11005203	GetstatusFcadapter: Option "getstatus" has invalid value
E11005204	GetstatusFcadapter: Failed to read/get option "getstatus".
E11005205	GetstatusFcadapter: Failed to write/set option "getstatus".
E11005211	GetstatusFcadapter: Option "name" is missing.
E11005212	GetstatusFcadapter: Option "name" requires a value
E11005213	GetstatusFcadapter: Option "name" has invalid value
E11005214	GetstatusFcadapter: Failed to read/get option "name".
E11005215	GetstatusFcadapter: Failed to write/set option "name".
E11005231	GetstatusFcadapter failed!
E11005232	GetstatusFcadapter: Failed to read FC adapter status seer file. Caught seer exception!
E11005233	GetstatusFcadapter: The FC adapter status seer file is not found!
E11005601	GetstatusNetworkport: Option "getstatus" is missing.
E11005602	GetstatusNetworkport: Option "getstatus" requires a value
E11005603	GetstatusNetworkport: Option "getstatus" has invalid value
E11005604	GetstatusNetworkport: Failed to read/get option "getstatus".
E11005605	GetstatusNetworkport: Failed to write/set option "getstatus".

Error Code	Error Message
E11005621	GetstatusNetworkport failed!
E11005622	GetstatusNetworkport: Failed to read Ethernet ports status seer file. Caught seer exception!
E11005623	GetstatusNetworkport: The Ethernet ports status seer file does not exist!
E11006001	GetstatusStoragearraydetails: Option "getstatus" is missing.
E11006002	GetstatusStoragearraydetails: Option "getstatus" requires a value
E11006003	GetstatusStoragearraydetails: Option "getstatus" has invalid value
E11006004	GetstatusStoragearraydetails: Failed to read/get option "getstatus".
E11006005	GetstatusStoragearraydetails: Failed to write/set option "getstatus".
E11006011	GetstatusStoragearraydetails: Option "name" is missing.
E11006012	GetstatusStoragearraydetails: Option "name" requires a value
E11006013	GetstatusStoragearraydetails: Option "name" has invalid value
E11006014	GetstatusStoragearraydetails: Failed to read/get option "name".
E11006015	GetstatusStoragearraydetails: Failed to write/set option "name".
E11006031	GetstatusStoragearraydetails failed!
E11006032	GetstatusStoragearraydetails: The storage array does not exist!
E11006033	GetstatusStoragearraydetails: Failed to read storage array status seer file. Caught seer exception!
E11006034	GetstatusStoragearraydetails: The storage array status seer file does not exist!
E11006401	GetstatusEthernetswitchdetails: Option "getstatus" is missing.
E11006402	GetstatusEthernetswitchdetails: Option "getstatus" requires a value
E11006403	GetstatusEthernetswitchdetails: Option "getstatus" has invalid value
E11006404	GetstatusEthernetswitchdetails: Failed to read/get option "getstatus".
E11006405	GetstatusEthernetswitchdetails: Failed to write/set option "getstatus".

Error Code	Error Message
E11006411	GetstatusEthernetswitchdetails: Option "name" is missing.
E11006412	GetstatusEthernetswitchdetails: Option "name" requires a value
E11006413	GetstatusEthernetswitchdetails: Option "name" has invalid value
E11006414	GetstatusEthernetswitchdetails: Failed to read/get option "name".
E11006415	GetstatusEthernetswitchdetails: Failed to write/set option "name".
E11006431	GetstatusEthernetswitchdetails failed!
E11006432	GetstatusEthernetswitchdetails: Failed to read Ethernet switch details. Caught seer exception!
E11006433	GetstatusEthernetswitchdetails: The Ethernet switch Status seer file is not found!
E11006434	GetstatusEthernetswitchdetails: The Ethernet switch does not exist!
E11006801	GetstatusFcadapterdetails: Option "getstatus" is missing.
E11006802	GetstatusFcadapterdetails: Option "getstatus" requires a value
E11006803	GetstatusFcadapterdetails: Option "getstatus" has invalid value
E11006804	GetstatusFcadapterdetails: Failed to read/get option "getstatus".
E11006805	GetstatusFcadapterdetails: Failed to write/set option "getstatus".
E11006811	GetstatusFcadapterdetails: Option "name" is missing.
E11006812	GetstatusFcadapterdetails: Option "name" requires a value
E11006813	GetstatusFcadapterdetails: Option "name" has invalid value
E11006814	GetstatusFcadapterdetails: Failed to read/get option "name".
E11006815	GetstatusFcadapterdetails: Failed to write/set option "name".
E11006831	GetstatusFcadapterdetails failed!
E11006832	GetstatusFcadapterdetails: The given FC adapter does not exist!
E11006833	GetstatusFcadapterdetails: Failed to read FC adapter status seer file. Caught seer exception!
E11006834	GetstatusFcadapterdetails: The FC adapter status seer file is not found!

Error Code	Error Message
E11007201	GetstatusFcswitchdetails: Option "getstatus" is missing.
E11007202	GetstatusFcswitchdetails: Option "getstatus" requires a value
E11007203	GetstatusFcswitchdetails: Option "getstatus" has invalid value
E11007204	GetstatusFcswitchdetails: Failed to read/get option "getstatus".
E11007205	GetstatusFcswitchdetails: Failed to write/set option "getstatus".
E11007211	GetstatusFcswitchdetails: Option "name" is missing.
E11007212	GetstatusFcswitchdetails: Option "name" requires a value
E11007213	GetstatusFcswitchdetails: Option "name" has invalid value
E11007214	GetstatusFcswitchdetails: Failed to read/get option "name".
E11007215	GetstatusFcswitchdetails: Failed to write/set option "name".
E11007231	GetstatusFcswitchdetails failed!
E11050001	Adminalert: Retrieving administration logs failed.
E11050002	Adminalert: There are no items available in admin log for display.
E11050003	Adminalert: No alert exists with the given name.
E11050004	Serviceticket: No service ticket exists with the given ticket number.
E11050005	Serviceticket: There are no service tickets available for display.
E11050401	DelAdminalert: Option "del" is missing.
E11050402	DelAdminalert: Option "del" requires a value
E11050403	DelAdminalert: Option "del" has invalid value
E11050404	DelAdminalert: Failed to read/get option "del".
E11050405	DelAdminalert: Failed to write/set option "del".
E11050411	DelAdminalert: Option "alert" is missing.
E11050412	DelAdminalert: Option "alert" requires a value
E11050413	DelAdminalert: Option "alert" has invalid value
E11050414	DelAdminalert: Failed to read/get option "alert"
E11050415	DelAdminalert: Failed to write/set option "alert".
E11050421	DelAdminalert failed!
E11050801	DeleteallAdminalert: Option "deleteall" is missing.
E11050802	DeleteallAdminalert: Option "deleteall" requires a value

Error Code	Error Message
E11050803	DeleteallAdminalert: Option "deleteall" has invalid value
E11050804	DeleteallAdminalert: Failed to read/get option "deleteall".
E11050805	DeleteallAdminalert: Failed to write/set option "deleteall".
E11050831	DeleteallAdminalert failed!
E11051201	EditTicketanalysis: Option "edit" is missing.
E11051202	EditTicketanalysis: Option "edit" requires a value
E11051203	EditTicketanalysis: Option "edit" has invalid value
E11051204	EditTicketanalysis: Failed to read/get option "edit".
E11051205	EditTicketanalysis: Failed to write/set option "edit".
E11051211	EditTicketanalysis: Option "ticketnum" is missing.
E11051212	EditTicketanalysis: Option "ticketnum" requires a value
E11051213	EditTicketanalysis: Option "ticketnum" has invalid value
E11051214	EditTicketanalysis: Failed to read/get option "ticketnum".
E11051215	EditTicketanalysis: Failed to write/set option "ticketnum".
E11051221	EditTicketanalysis: Option "textline" is missing.
E11051222	EditTicketanalysis: Option "textline" requires a value
E11051223	EditTicketanalysis: Option "textline" has invalid value
E11051224	EditTicketanalysis: Failed to read/get option "textline".
E11051225	EditTicketanalysis: Failed to write/set option "textline".
E11051231	EditTicketanalysis: Option "textfile" is missing.
E11051232	EditTicketanalysis: Option "textfile" requires a value
E11051233	EditTicketanalysis: Option "textfile" has invalid value
E11051234	EditTicketanalysis: Failed to read/get option "textfile".
E11051235	EditTicketanalysis: Failed to write/set option "textfile".
E11051241	EditTicketanalysis: Failed to read/get option "close".
E11051242	EditTicketanalysis: Failed to write/set option "close".
E11051251	EditTicketanalysis failed!
E11051252	EditTicketanalysis: Failed to open the specified file.
E11051601	ListAdminalert: Option "list" is missing.
E11051602	ListAdminalert: Option "list" requires a value
E11051603	ListAdminalert: Option "list" has invalid value

Error Code	Error Message
E11051604	ListAdminalert: Failed to read/get option "list".
E11051605	ListAdminalert: Failed to write/set option "list".
E11051611	ListAdminalert: Option "alert" requires a value
E11051612	ListAdminalert: Option "alert" has invalid value
E11051613	ListAdminalert: Failed to read/get option "alert".
E11051614	ListAdminalert: Failed to write/set option "alert".
E11051631	ListAdminalert failed!
E11051632	ListAdminalert: Failed to retrieve the specified alert log.
E11052001	ListServiceticket: Option "list" is missing.
E11052002	ListServiceticket: Option "list" requires a value
E11052003	ListServiceticket: Option "list" has invalid value
E11052004	ListServiceticket: Failed to read/get option "list".
E11052005	ListServiceticket: Failed to write/set option "list".
E11052011	ListServiceticket: Option "all" is required because another optional option is specified!
E11052012	ListServiceticket: Failed to read/get option "all".
E11052013	ListServiceticket: Failed to write/set option "all".
E11052021	ListServiceticket: Option "closed" is required because another optional option is specified!
E11052022	ListServiceticket: Failed to read/get option "closed".
E11052023	ListServiceticket: Failed to write/set option "closed".
E11052031	ListServiceticket: Option "open" is required because another optional option is specified!
E11052032	ListServiceticket: Failed to read/get option "open".
E11052033	ListServiceticket: Failed to write/set option "open".
E11052041	ListServiceticket: Option "ticketnum" is required because another optional option is specified!
E11052042	ListServiceticket: Option "ticketnum" requires a value
E11052043	ListServiceticket: Option "ticketnum" has invalid value
E11052044	ListServiceticket: Failed to read/get option "ticketnum".
E11052045	ListServiceticket: Failed to write/set option "ticketnum".
E11052061	ListServiceticket failed!

Error Code	Error Message
E11052062	ListServiceticket: No open tickets available in Ticket List for display.
E11052063	ListServiceticket: No closed tickets available in Ticket List for display.
E11052401	SendTicketanalysis: Option "send" is missing.
E11052402	SendTicketanalysis: Option "send" requires a value
E11052403	SendTicketanalysis: Option "send" has invalid value
E11052404	SendTicketanalysis: Failed to read/get option "send".
E11052405	SendTicketanalysis: Failed to write/set option "send".
E11052411	SendTicketanalysis: Option "ticketnum" is missing.
E11052412	SendTicketanalysis: Option "ticketnum" requires a value
E11052413	SendTicketanalysis: Option "ticketnum" has invalid value
E11052414	SendTicketanalysis: Failed to read/get option "ticketnum".
E11052415	SendTicketanalysis: Failed to write/set option "ticketnum".
E11052421	SendTicketanalysis: Option "recipient" is missing.
E11052422	SendTicketanalysis: Option "recipient" requires a value
E11052423	SendTicketanalysis: Option "recipient" has invalid value
E11052424	SendTicketanalysis: Failed to read/get option "recipient".
E11052425	SendTicketanalysis: Failed to write/set option "recipient".
E11052431	SendTicketanalysis: Option "comment" requires a value
E11052432	SendTicketanalysis: Option "comment" has invalid value
E11052433	SendTicketanalysis: Failed to read/get option "comment".
E11052434	SendTicketanalysis: Failed to write/set option "comment".
E11052451	SendTicketanalysis failed!
E11052452	SendTicketanalysis: Outgoing Email server failed to send email.
E11052453	SendTicketanalysis: Failed to send email.
E11052801	ShowTicketanalysis: Option "show" is missing.
E11052802	ShowTicketanalysis: Option "show" requires a value
E11052803	ShowTicketanalysis: Option "show" has invalid value
E11052804	ShowTicketanalysis: Failed to read/get option "show".
E11052805	ShowTicketanalysis: Failed to write/set option "show".

Error Code	Error Message
E11052811	ShowTicketanalysis: Option "ticketnum" is missing.
E11052812	ShowTicketanalysis: Option "ticketnum" requires a value
E11052813	ShowTicketanalysis: Option "ticketnum" has invalid value
E11052814	ShowTicketanalysis: Failed to read/get option "ticketnum".
E11052815	ShowTicketanalysis: Failed to write/set option "ticketnum".
E11052831	ShowTicketanalysis failed!
E11053201	ShowTicketdetail: Option "show" is missing.
E11053202	ShowTicketdetail: Option "show" requires a value
E11053203	ShowTicketdetail: Option "show" has invalid value
E11053204	ShowTicketdetail: Failed to read/get option "show".
E11053205	ShowTicketdetail: Failed to write/set option "show".
E11053211	ShowTicketdetail: Option "ticketnum" is missing.
E11053212	ShowTicketdetail: Option "ticketnum" requires a value
E11053213	ShowTicketdetail: Option "ticketnum" has invalid value
E11053214	ShowTicketdetail: Failed to read/get option "ticketnum".
E11053215	ShowTicketdetail: Failed to write/set option "ticketnum".
E11053231	ShowTicketdetail failed!
E11053601	CloseallTicket: Option "closeall" is missing.
E11053602	CloseallTicket: Option "closeall" requires a value
E11053603	CloseallTicket: Option "closeall" has invalid value
E11053604	CloseallTicket: Failed to read/get option "closeall".
E11053605	CloseallTicket: Failed to write/set option "closeall".
E11053631	CloseallTicket failed!
E12050001	Analyzer: Seer has no answer!
E12050002	Analyzer: Failed to get the node 'Disk' from seer file.
E12050003	Analyzer: Failed to get the node 'Network' from seer file.
E12050004	Analyzer: Failed to get the tag 'ReadThroughput' from seer file.
E12050005	Analyzer: Failed to get the tag 'WriteThroughput' from seer file.
E12050006	Analyzer: Failed to get the tag 'ErrMsg' from seer file.
E12050401	AnalyzeNetwork: Option "analyze" is missing.

Error Code	Error Message
E12050402	AnalyzeNetwork: Option "analyze" requires a value
E12050403	AnalyzeNetwork: Option "analyze" has invalid value
E12050404	AnalyzeNetwork: Failed to read/get option "analyze".
E12050405	AnalyzeNetwork: Failed to write/set option "analyze".
E12050411	AnalyzeNetwork: Option "ipaddress" is missing.
E12050412	AnalyzeNetwork: Option "ipaddress" requires a value
E12050413	AnalyzeNetwork: Option "ipaddress" has invalid value
E12050414	AnalyzeNetwork: Failed to read/get option "ipaddress".
E12050415	AnalyzeNetwork: Failed to write/set option "ipaddress".
E12050441	AnalyzeNetwork failed!
E12050442	AnalyzeNetwork: Unable to generate system analysis file.
E12050443	AnalyzeNetwork: System analysis file is already being generated.
E12050801	SetNetserver: Option "set" is missing.
E12050802	SetNetserver: Option "set" requires a value
E12050803	SetNetserver: Option "set" has invalid value
E12050804	SetNetserver: Failed to read/get option "set".
E12050805	SetNetserver: Failed to write/set option "set".
E12050811	SetNetserver: Option "enable" is missing.
E12050812	SetNetserver: Failed to read/get option "enable".
E12050813	SetNetserver: Failed to write/set option "enable".
E12050821	SetNetserver: Option "disable" is missing.
E12050822	SetNetserver: Failed to read/get option "disable".
E12050823	SetNetserver: Failed to write/set option "disable".
E12050841	SetNetserver failed!
E12050842	SetNetserver: Netserver is already stopped.
E12050843	SetNetserver: Netserver is already running.
E12051201	AnalyzeDisk: Option "analyze" is missing.
E12051202	AnalyzeDisk: Option "analyze" requires a value
E12051203	AnalyzeDisk: Option "analyze" has invalid value
E12051204	AnalyzeDisk: Failed to read/get option "analyze".
E12051205	AnalyzeDisk: Failed to write/set option "analyze".

Error Code	Error Message
E12051231	AnalyzeDisk failed!
E12051232	AnalyzeDisk: System analysis file is already being generated.
E12051233	AnalyzeDisk: Unable to generate system analysis file.
E12051601	GetstatusNetserver: Option "getstatus" is missing.
E12051602	GetstatusNetserver: Option "getstatus" requires a value
E12051603	GetstatusNetserver: Option "getstatus" has invalid value
E12051604	GetstatusNetserver: Failed to read/get option "getstatus".
E12051605	GetstatusNetserver: Failed to write/set option "getstatus".
E12051621	GetstatusNetserver failed!
E12052001	ShowThroughput: Option "show" is missing.
E12052002	ShowThroughput: Option "show" requires a value
E12052003	ShowThroughput: Option "show" has invalid value
E12052004	ShowThroughput: Failed to read/get option "show".
E12052005	ShowThroughput: Failed to write/set option "show".
E12052011	ShowThroughput: Option "disk" is missing.
E12052012	ShowThroughput: Failed to read/get option "disk".
E12052013	ShowThroughput: Failed to write/set option "disk".
E12052021	ShowThroughput: Option "network" is missing.
E12052022	ShowThroughput: Failed to read/get option "network".
E12052023	ShowThroughput: Failed to write/set option "network".
E12052041	ShowThroughput failed!
E13000001	Healthcheck: Failed to retrieve healthcheck names.
E13000002	Healthcheck: Failed to retrieve healthcheck status.
E13000401	StartHealthcheck: Option "start" is missing.
E13000402	StartHealthcheck: Option "start" requires a value
E13000403	StartHealthcheck: Option "start" has invalid value
E13000404	StartHealthcheck: Failed to read/get option "start".
E13000405	StartHealthcheck: Failed to write/set option "start".
E13000421	StartHealthcheck failed!
E13000801	StopHealthcheck: Option "stop" is missing.
E13000802	StopHealthcheck: Option "stop" requires a value

Error Code	Error Message
E13000803	StopHealthcheck: Option "stop" has invalid value
E13000804	StopHealthcheck: Failed to read/get option "stop".
E13000805	StopHealthcheck: Failed to write/set option "stop".
E13000821	StopHealthcheck failed!
E13001201	SchedHealthcheck: Option "sched" is missing.
E13001202	SchedHealthcheck: Option "sched" requires a value
E13001203	SchedHealthcheck: Option "sched" has invalid value
E13001204	SchedHealthcheck: Failed to read/get option "sched".
E13001205	SchedHealthcheck: Failed to write/set option "sched".
E13001211	SchedHealthcheck: Option "never" is missing.
E13001212	SchedHealthcheck: Failed to read/get option "never".
E13001213	SchedHealthcheck: Failed to write/set option "never".
E13001221	SchedHealthcheck: Option "time" is missing.
E13001222	SchedHealthcheck: Option "time" requires a value
E13001223	SchedHealthcheck: Option "time" has invalid value
E13001224	SchedHealthcheck: Failed to read/get option "time".
E13001225	SchedHealthcheck: Failed to write/set option "time".
E13001231	SchedHealthcheck: Option "day" requires a value
E13001232	SchedHealthcheck: Option "day" has invalid value
E13001233	SchedHealthcheck: Failed to read/get option "day".
E13001234	SchedHealthcheck: Failed to write/set option "day".
E13001251	SchedHealthcheck failed!
E13001252	ScheduleHealthcheck: Failed to schedule healthcheck daily.
E13001253	ScheduleHealthcheck: Failed to schedule healthcheck weekly.
E13001254	ScheduleHealthcheck: Failed to disable healthcheck .
E13001255	ScheduleHealthcheck: Failed to enable scheduled healthcheck .
E13001601	ListHealthcheckstatus: Option "list" is missing.
E13001602	ListHealthcheckstatus: Option "list" requires a value
E13001603	ListHealthcheckstatus: Option "list" has invalid value
E13001604	ListHealthcheckstatus: Failed to read/get option "list".
E13001605	ListHealthcheckstatus: Failed to write/set option "list".

Error Code	Error Message
E13001621	ListHealthcheckstatus failed!
E13002001	EditHealthcheck: Option "edit" is missing.
E13002002	EditHealthcheck: Option "edit" requires a value
E13002003	EditHealthcheck: Option "edit" has invalid value
E13002004	EditHealthcheck: Failed to read/get option "edit".
E13002005	EditHealthcheck: Failed to write/set option "edit".
E13002011	EditHealthcheck: Option "name" is missing.
E13002012	EditHealthcheck: Option "name" requires a value
E13002013	EditHealthcheck: Option "name" has invalid value
E13002014	EditHealthcheck: Failed to read/get option "name".
E13002015	EditHealthcheck: Failed to write/set option "name".
E13002021	EditHealthcheck: Option "enable" is missing.
E13002022	EditHealthcheck: Failed to read/get option "enable".
E13002023	EditHealthcheck: Failed to write/set option "enable".
E13002031	EditHealthcheck: Option "disable" is missing.
E13002032	EditHealthcheck: Failed to read/get option "disable".
E13002033	EditHealthcheck: Failed to write/set option "disable".
E13002051	EditHealthcheck failed!
E13002052	EditHealthcheck: The healthcheck with the specified name does not exist.
E13002053	EditHealthcheck: Failed to enable healthcheck on the specified name.
E13002054	EditHealthcheck: Failed to disable healthcheck on the specified name.
E13002401	GetstatusHealthcheck: Option "getstatus" is missing.
E13002402	GetstatusHealthcheck: Option "getstatus" requires a value
E13002403	GetstatusHealthcheck: Option "getstatus" has invalid value
E13002404	GetstatusHealthcheck: Failed to read/get option "getstatus".
E13002405	GetstatusHealthcheck: Failed to write/set option "getstatus".
E13002421	GetstatusHealthcheck failed!
E13002801	GetschedHealthcheck: Option "getsched" is missing.
E13002802	GetschedHealthcheck: Option "getsched" requires a value

Error Code	Error Message
E13002803	GetschedHealthcheck: Option "getsched" has invalid value
E13002804	GetschedHealthcheck: Failed to read/get option "getsched".
E13002805	GetschedHealthcheck: Failed to write/set option "getsched".
E13002821	GetschedHealthcheck failed!
E13002822	GetscheduleHealthcheck: Failed to retrieve schedule type.
E13002823	GetscheduleHealthcheck: Failed to retrieve daily schedule.
E13002824	GetscheduleHealthcheck: Failed to retrieve weekly schedule.
E80000001	Axis2: critical failure
E80000002	Axis2: failure
E80000003	Axis2: failed to allocate memory
E80000004	Axis2: NULL service client!
E80000005	Axis2: service client has no fault!
E82000001	WebServices server: service not supported
E82000002	WebServices server: service API not supported in this release
E82000003	WebServices server: service API is defined but not implemented yet
E82000004	WebServices server: service API is defined but not supported in this release
E82000100	WebServices server: failed to load shared library
E82000101	WebServices server: failed to load SysAPI shared library
E82000102	WebServices server: failed to load CliAPI shared library
E82000103	WebServices server: failed to load WS server API shared library
E82000104	WebServices server: failed to load WS client API shared library
E82000201	WebServices server: failed to load shared library libWSSystem.so
E82000202	WebServices server: failed to load shared library libWSNas.so
E82000203	WebServices server: failed to load shared library libWSReplication.so
E82000204	WebServices server: failed to load shared library libWSVtl.so
E82000301	WebServices server: failed to load shared library libUtilCli.so
E82000401	WebServices server: failed to instantiate a QSys API object
E82000402	WebServices server: failed to instantiate a QCli API object

Error Code	Error Message
E82000403	WebServices server: failed to instantiate a QWS client API object
E82000404	WebServices server: failed to instantiate a QWS server API object
E82001001	WebServices server: failed to allocate memory
E82001002	WebServices server: environment variable is NULL
E82001003	WebServices server: client request is NULL
E82001004	WebServices server: client input data is NULL/empty
E82001005	WebServices server: client input data structure is NULL/empty
E82001006	WebServices server: client input parameter is NULL/empty
E82001007	WebServices server: credential token is NULL
E82001008	WebServices server: username is NULL
E82001009	WebServices server: password is NULL
E82002000	WebServices: failed to get credential
E82002001	WebServices: failed to convert data to XML
E82002002	WebServices: failed to convert data from XML
E82002003	WebServices server: failed to create a success response
E82002004	WebServices server: failed to get data from system layer
E82002005	WebServices server: failed to get data from client
E82002020	WebServices server: failed to get data field in server request
E82002021	WebServices server: failed to get credential from server request
E82002030	WebServices server: failed to create (malloc) a data field in server response
E82002031	WebServices server: failed to add a data field to server response
E82002032	WebServices server: failed to set data field in server response
E82002033	WebServices server: failed to set credential in server response
E83000001	WebServices client failed to get environment variable
E83000002	WebServices client: service not supported yet
E83000003	WebServices client failed to connect to WS server
E83000004	WebServices client failed to extract data from server response
E83000005	WebServices client: command failed on server

Error Code	Error Message
E83000006	WebServices client: server response is NULL
E83000007	WebServices client: server port is invalid
E83000008	WebServices client: server hostname is invalid
E83000009	WebServices client: server IP address is invalid
E83000010	WebServices client failed to set up endpoint to talk to server
E83000101	WebServices client: failed to allocate memory
E83000102	WebServices client: environment variable is NULL
E83000103	WebServices client: failed to build a WS request
E83000104	WebServices client: client input data is NULL/empty
E83000105	WebServices client: client input data structure is NULL/empty
E83000106	WebServices client: client input parameter is NULL/empty
E83000107	WebServices client: credential token is NULL
E83000108	WebServices client: username is NULL
E83000109	WebServices client: password is NULL
E83000120	WebServices client: option is not supported in Web Services!
E83000200	WebServices client: failed to get credential
E83000201	WebServices client: failed to convert server data from XML to C++
E83000202	WebServices client: failed to convert data from XML to C++
E83000203	WebServices client: failed to get the server response
E83000204	WebServices client: failed to get a data item from server response
E83000205	WebServices client: failed to create a data item while building a request to send to server
E83000206	WebServices client: failed to allocate memory for data item while building a request to send to server
E83000207	WebServices client: failed to set a data item while building a request to send to server
E83000208	WebServices client: failed to set credential in request to send to server
E83000209	WebServices client: failed to get data from system layer
E83000300	WebServices client failed to allocate memory for credential
E83000301	WebServices client: call to authenticate failed
E83000302	WebServices client failed to get credential token

Error Code	Error Message
E83000410	WebServices client failed to get list of permissions
E83000411	WebServices client failed to get a permission entry
E83000412	WebServices client failed to get name of permission
E83000413	WebServices client failed to get access of permission
E83000520	WebServices client failed to get list of WSDL files and versions
E83000521	WebServices client failed to get a WSDL file and version
E83000522	WebServices client failed to get name of WSDL file
E83000523	WebServices client failed to get version WSDL file

